

**PROPOSAL BASIC INFORMATION**

Proposer File No.	D594C00110019
Owner Name	UMANALINI BRAMHAM SARASWATI VIDYA MANDIR
Plot No.	4713
Plot No.	118
Village Name	Kunda
Use	Educational
Sub-use	Educational Building

**AREA STATEMENT**

Area of Plot	30	50.07
Area of Building	14	23.37
Area of Road	1	1.67
Area of Green Space	15	25.03
Area of Other	5	8.33
Total	35	59.07

**COVERAGE CHECK**

Area	Percentage
14	46.67%
15	46.67%
1	3.33%
5	15.33%
Total	100%

**PROPOSED CONSTRUCTION**

Color	Green
Color	Red
Color	Blue
Color	Yellow

**Building Use/Subuse Details (Table 4c-1)**

Floor Name	Building Use	Building Subuse	Building Volume
Ground Floor	Educational	Educational Building	Non Highrise

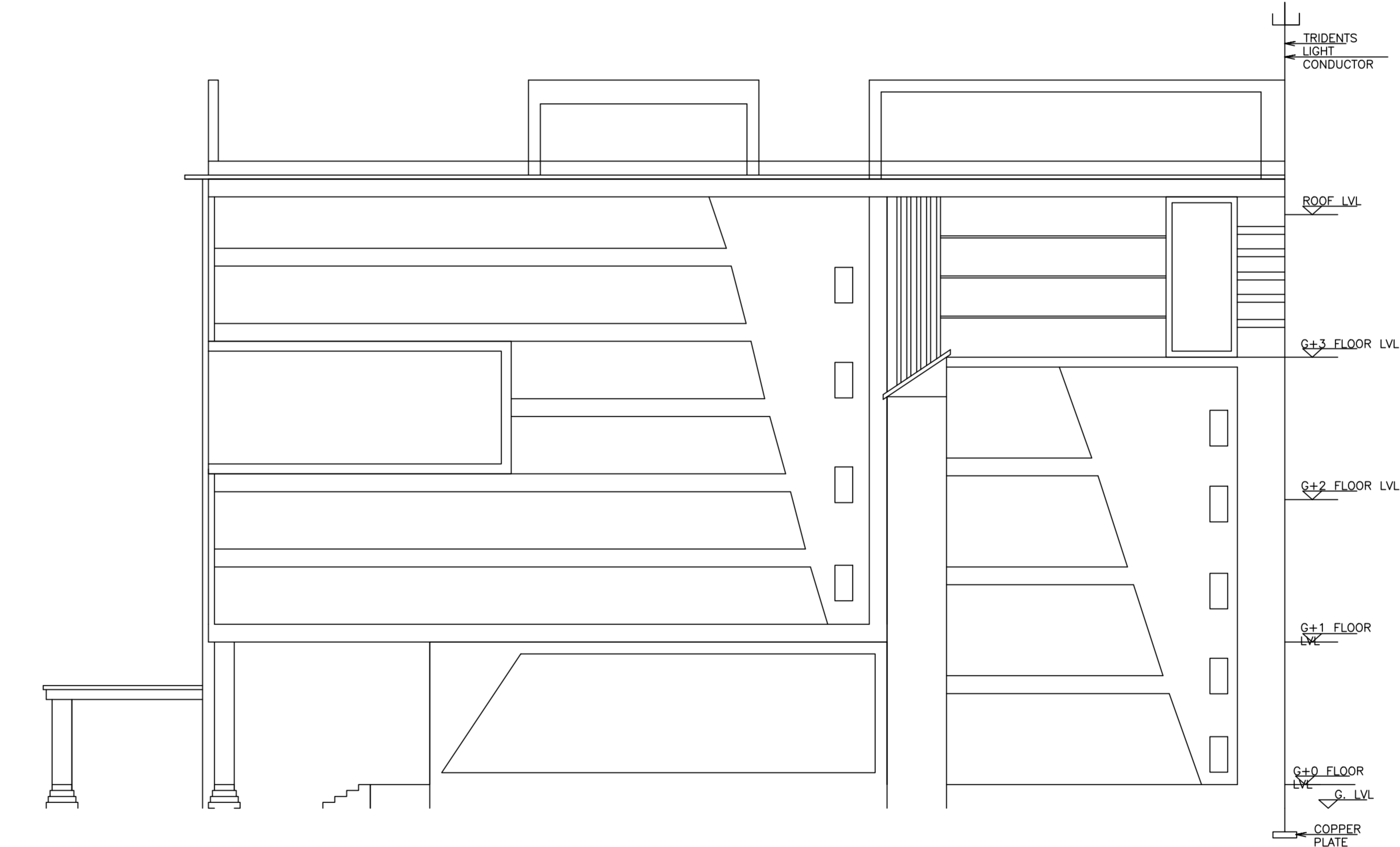
**FAR & Tenement Details (Table 4c-1)**

Building No.	No. of Storeys	Total FAR Area (Sq.M)	Proposed FAR Area (Sq.M)	Permitted FAR Area (Sq.M)	Total FAR Area (Sq.M)	Permitted FAR Area (Sq.M)	Permitted FAR Area (%)	Permitted FAR Area (Sq.M)	Permitted FAR Area (%)
1	1	603.58	673.59	603.58	603.58	603.58	100%	603.58	100%

SITE PLAN



NORTH SIDE ELEVATION



WEST SIDE ELEVATION

**Required Parking (Table 7a)**

Building Name	Type	Sub-use	Area (Sq.M)	Permitted Parking	Proposed Parking	Permitted Parking	Permitted Parking	Permitted Parking	Permitted Parking
UMANALINI BRAMHAM SARASWATI VIDYA MANDIR	Educational Building	Educational Building	603.58	1	1	1	1	1	1
Total	-	-	-	1	1	1	1	1	1

**Parking Check (Table 7b)**

Vehicle Type	No.	Area (Sq.M)	Permitted	Proposed
Car	1	27	27	27
Two Wheeler	1	18	18	18
Auto Rickshaw	1	18	18	18
Tricycle	1	18	18	18
Total	4	81	81	81

**Building JA (UMANALINI BRAMHAM SARASWATI VIDYA MANDIR)**

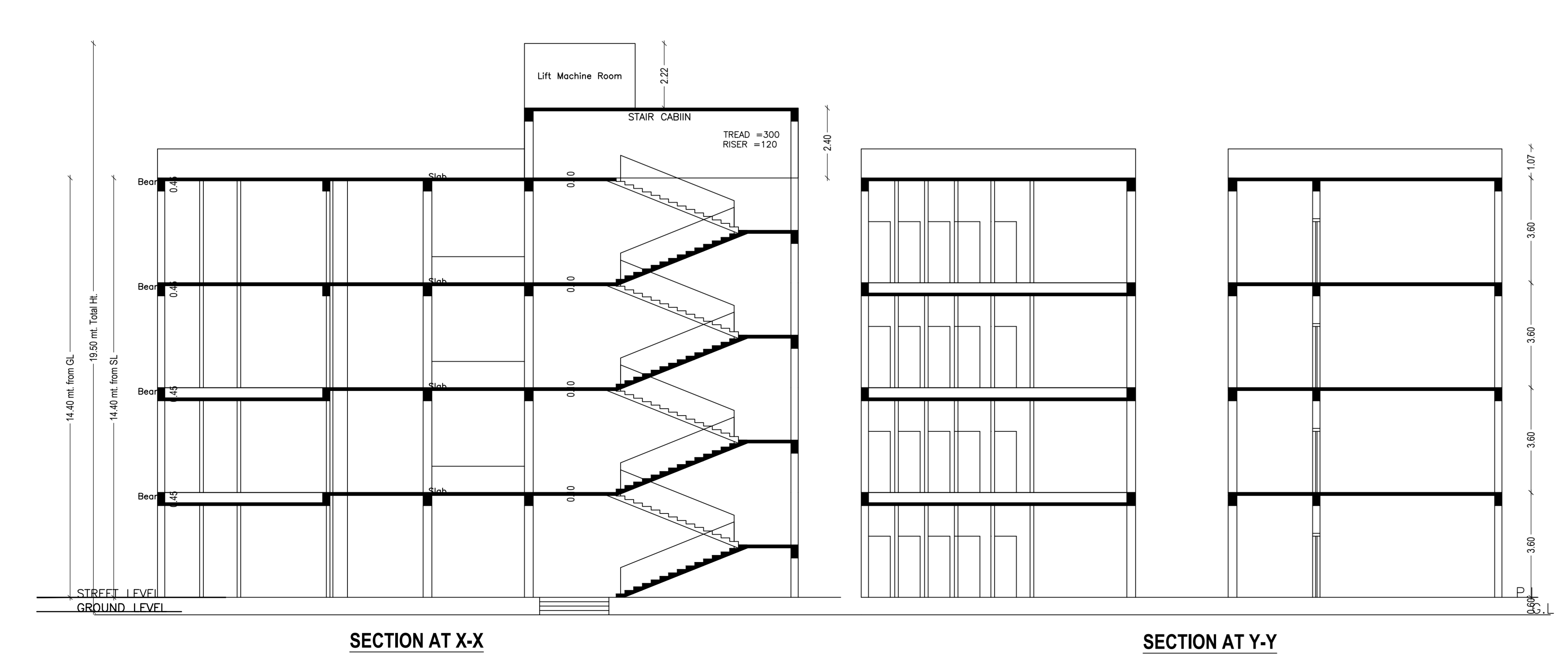
Floor Name	Cross Bldg Area (Sq.M)	Permitted FAR Area (Sq.M)	Proposed FAR Area (Sq.M)	Permitted FAR Area (Sq.M)	Permitted FAR Area (Sq.M)	Permitted FAR Area (%)	Permitted FAR Area (Sq.M)	Permitted FAR Area (%)
Ground Floor	603.58	603.58	673.59	603.58	603.58	100%	603.58	100%
Total	603.58	603.58	673.59	603.58	603.58	100%	603.58	100%

**SCHEDULE OF DOOR:**

BUILDING NAME	NAME	LENGTH	HEIGHT	NOSS
UMANALINI BRAMHAM SARASWATI VIDYA MANDIR	D1	0.75	2.13	09
UMANALINI BRAMHAM SARASWATI VIDYA MANDIR	D2	0.75	2.13	04
UMANALINI BRAMHAM SARASWATI VIDYA MANDIR	D3	1.20	2.13	121
UMANALINI BRAMHAM SARASWATI VIDYA MANDIR	D4	2.00	2.13	02

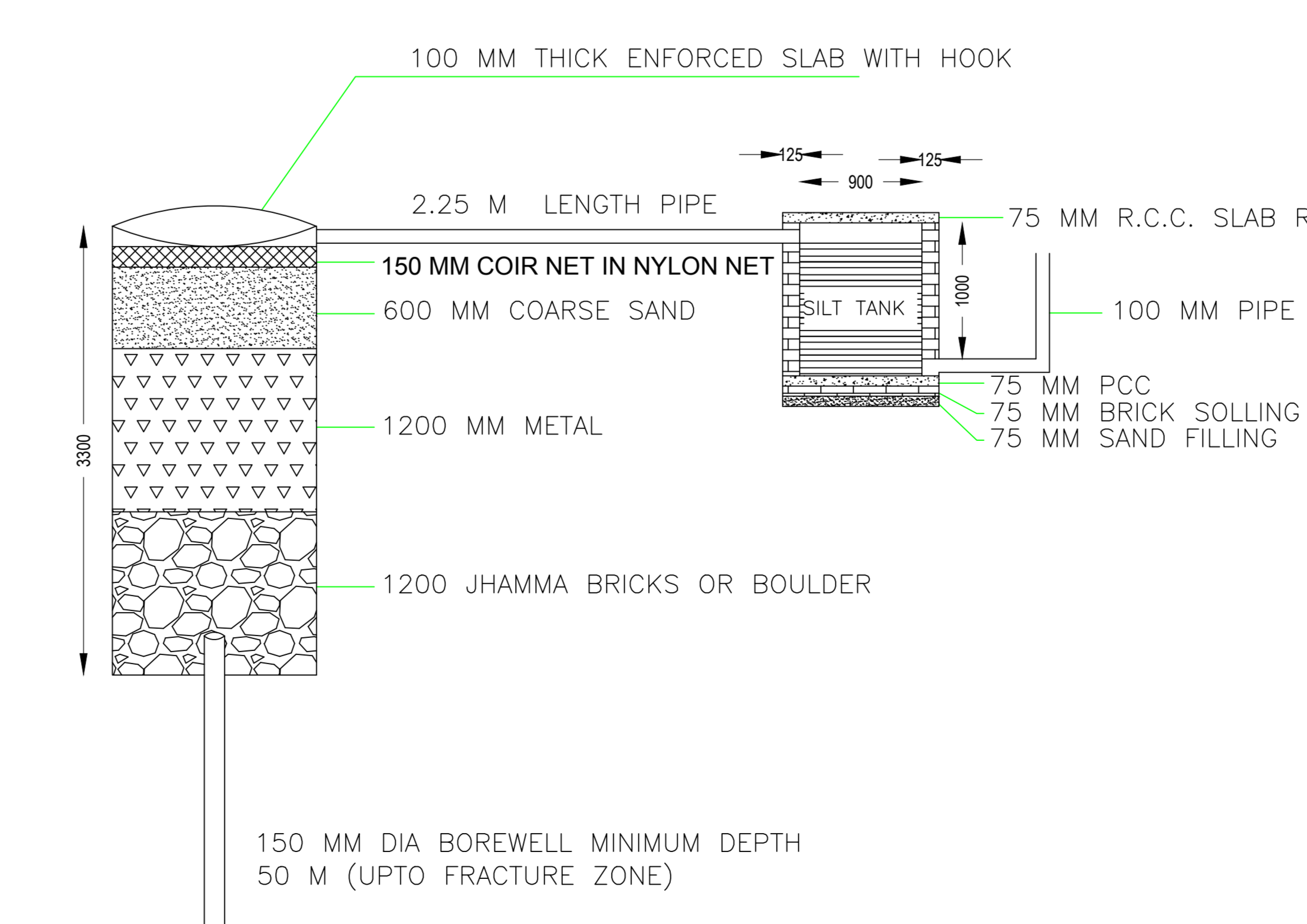
**SCHEDULE OF WINDOW/VENTILATION:**

BUILDING NAME	NAME	LENGTH	HEIGHT	NOSS
UMANALINI BRAMHAM SARASWATI VIDYA MANDIR	V	0.60	2.70	16
UMANALINI BRAMHAM SARASWATI VIDYA MANDIR	W1	1.88	2.80	50
UMANALINI BRAMHAM SARASWATI VIDYA MANDIR	W2	1.88	2.80	51
UMANALINI BRAMHAM SARASWATI VIDYA MANDIR	W	3.00	2.80	84
UMANALINI BRAMHAM SARASWATI VIDYA MANDIR	W5	7.00	2.80	51

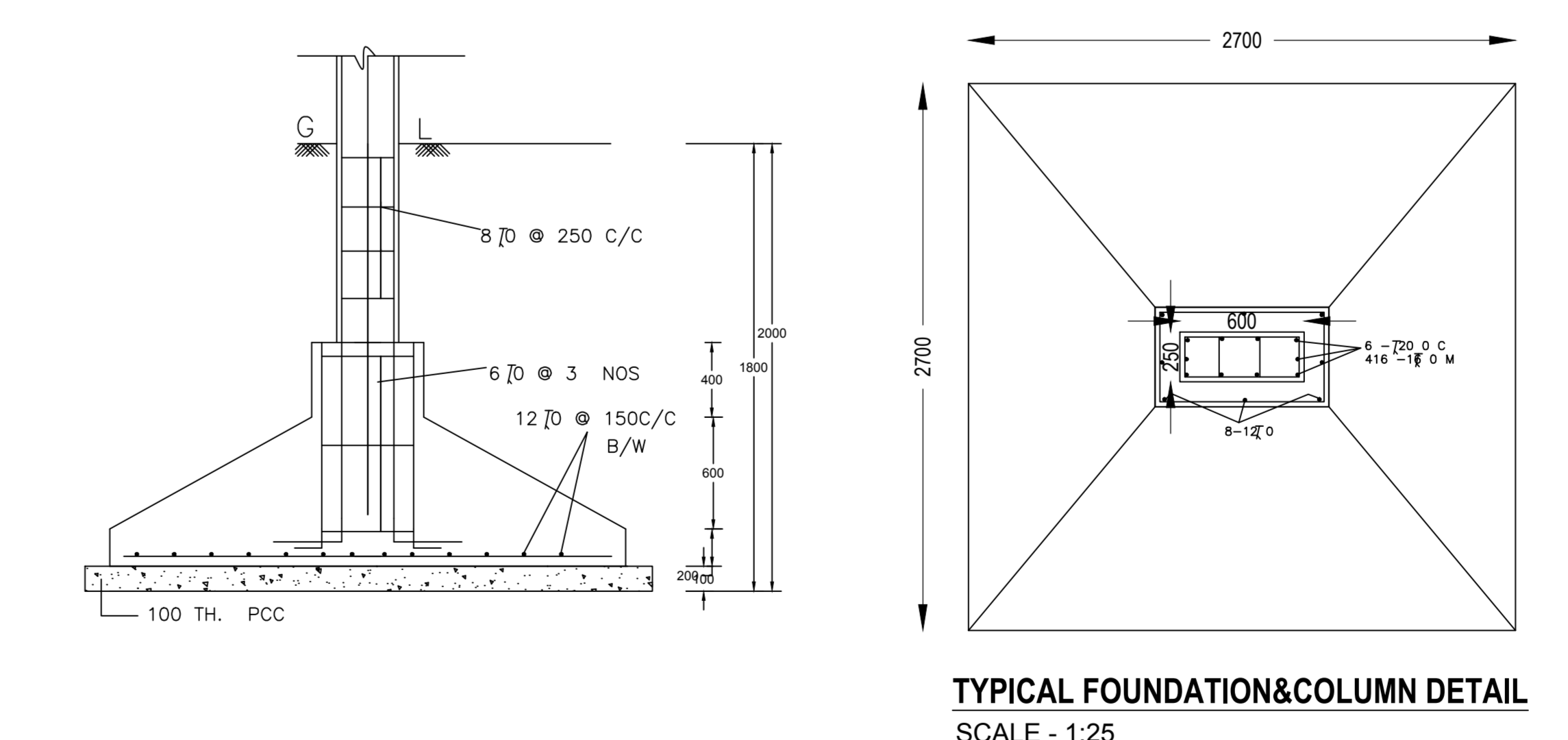


SECTION AT X-X

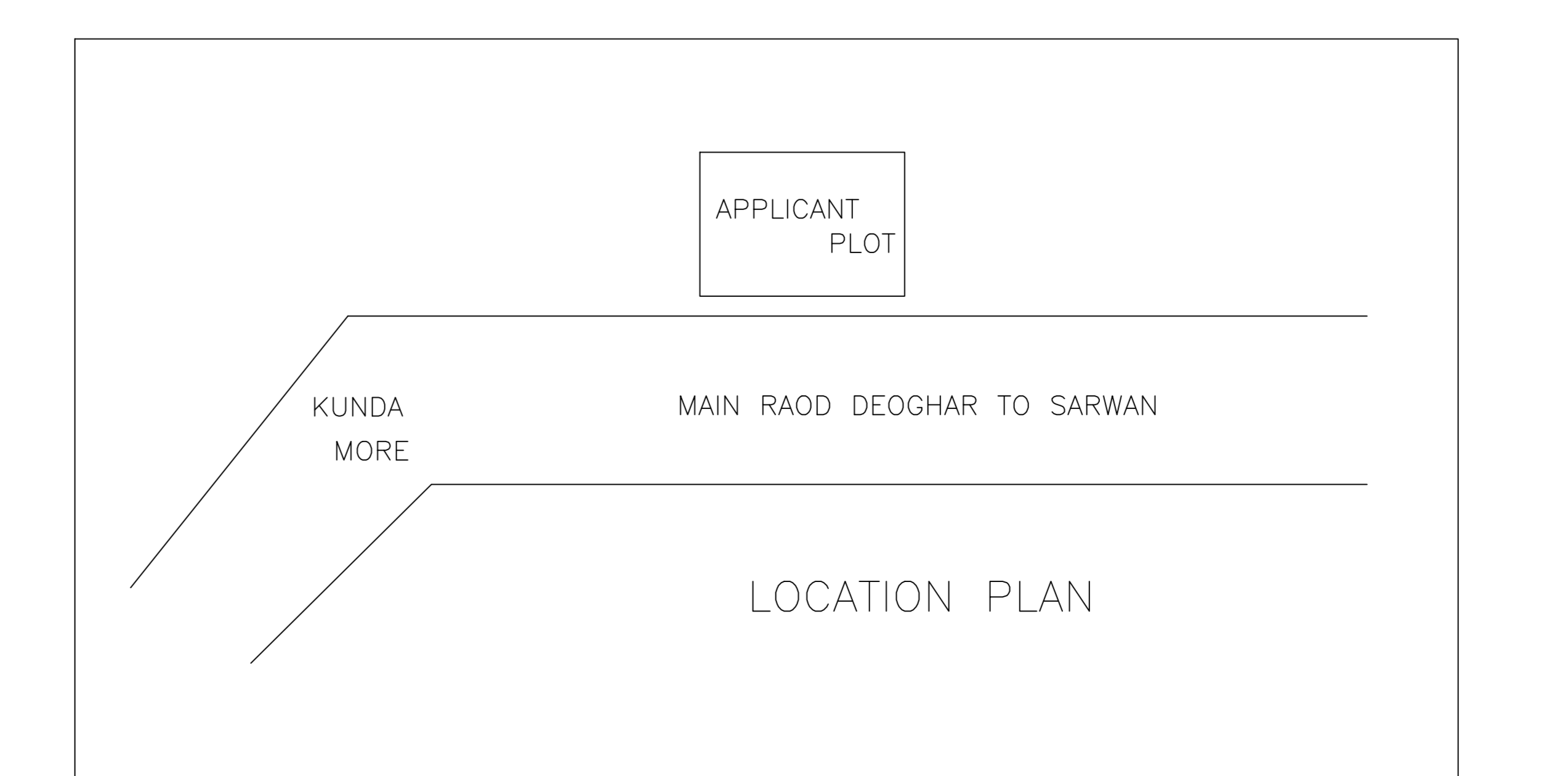
SECTION AT Y-Y



DETAILS OF GROUND WATER RECHARGING PIT WITH SILT TANK



TYPICAL FOUNDATION & COLUMN DETAIL SCALE - 1:25



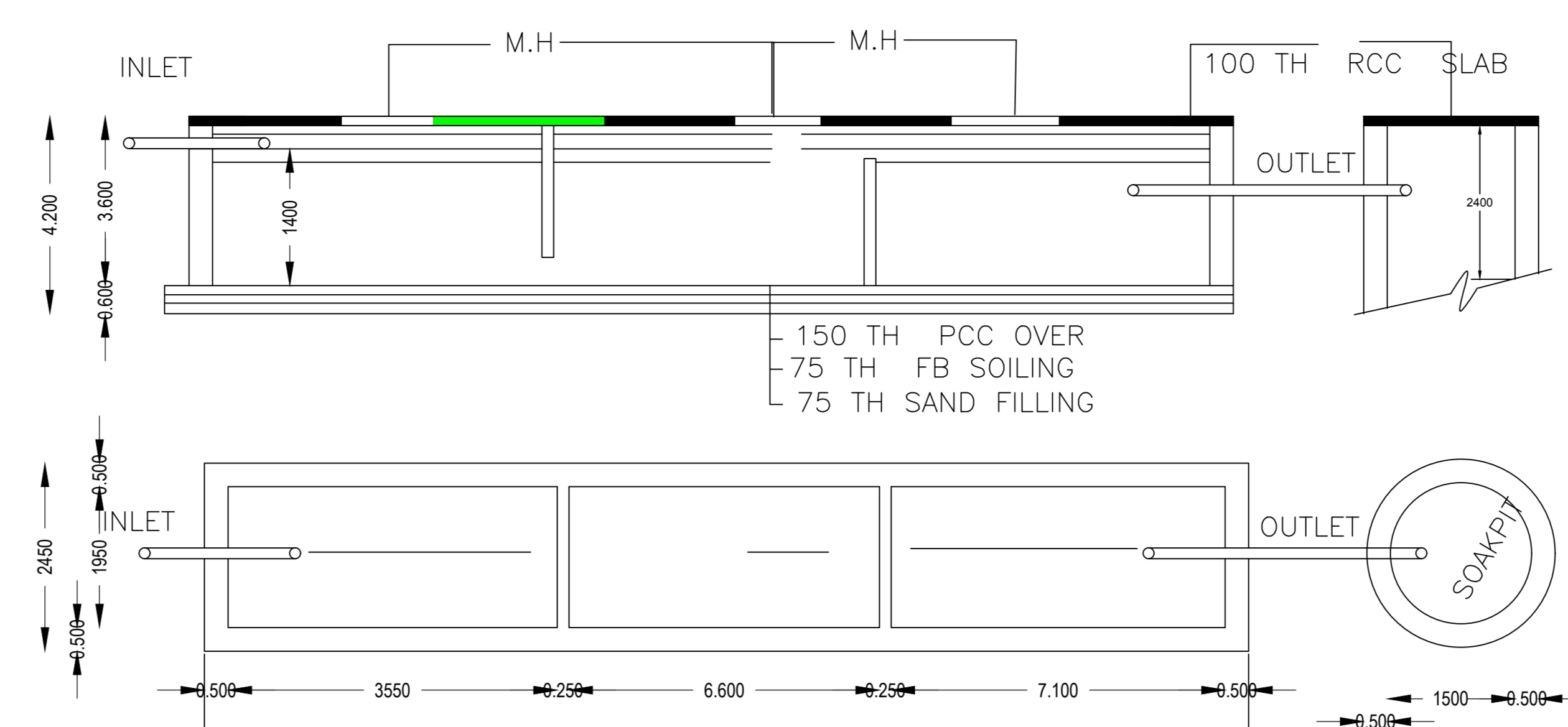
LOCATION PLAN

**UtilBUA Table for Building JA (UMANALINI BRAMHAM SARASWATI VIDYA MANDIR)**

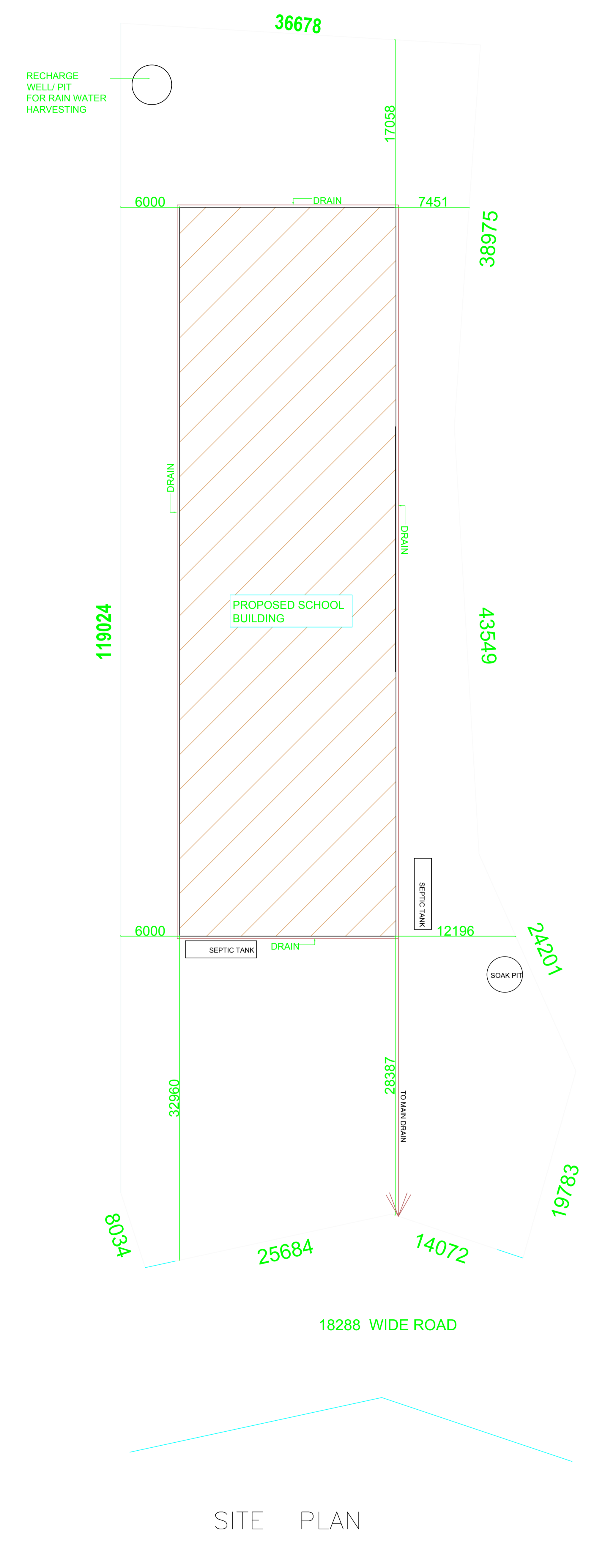
FLOOR	Area	UtilBUA Area	Capex Area	No. of Tenement
THIRD FLOOR	CLASS ROOM	CLASS ROOM	1193.81	22
SECOND FLOOR	CLASS ROOM	CLASS ROOM	1380.84	20
FIRST FLOOR	CLASS ROOM	CLASS ROOM	1379.17	22
GROUND FLOOR	CLASS ROOM	CLASS ROOM	1378.18	27
Total	-	-	5332.84	91

**Signature Table**

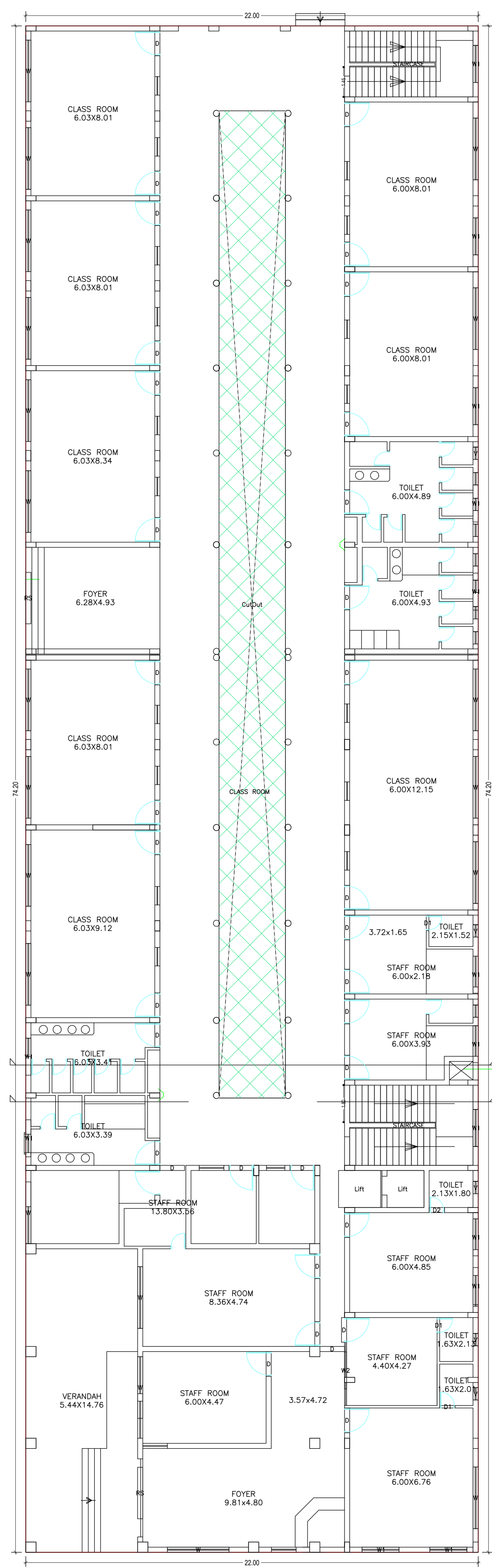
PREPARED BY	STRUCTURAL ENGINEER NAME AND SIGNATURE	BUILDER NAME AND SIGNATURE	DIGITAL SIGNATURE
D594C00110019			



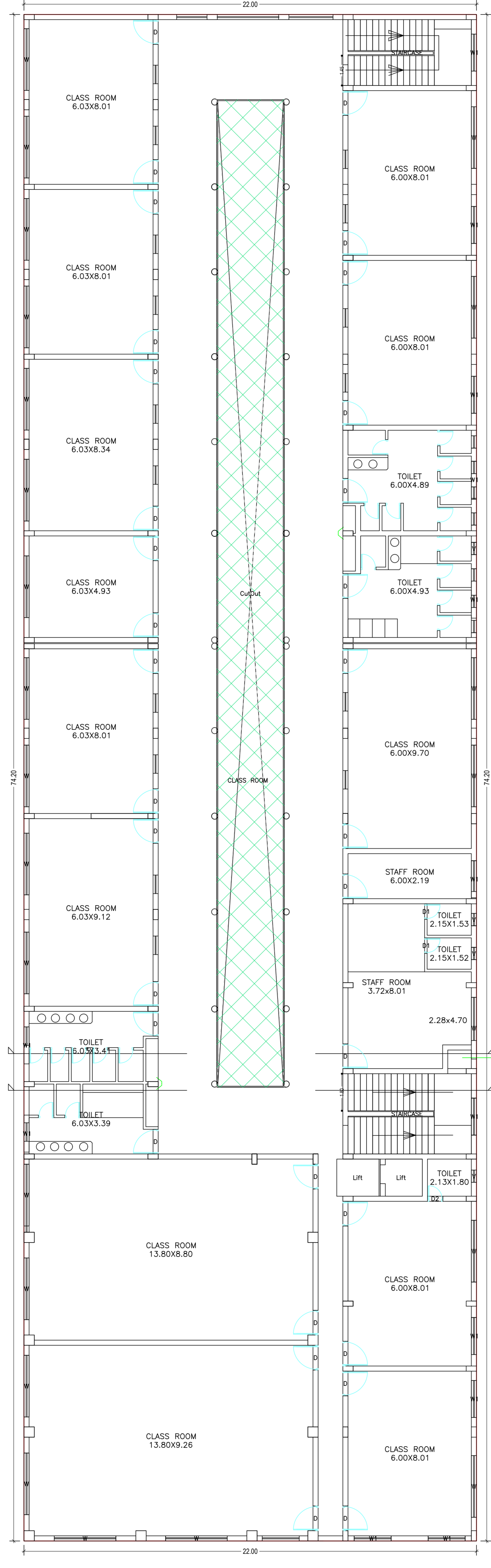
DETAIL OF SEPTIC TANK (100 USERS)



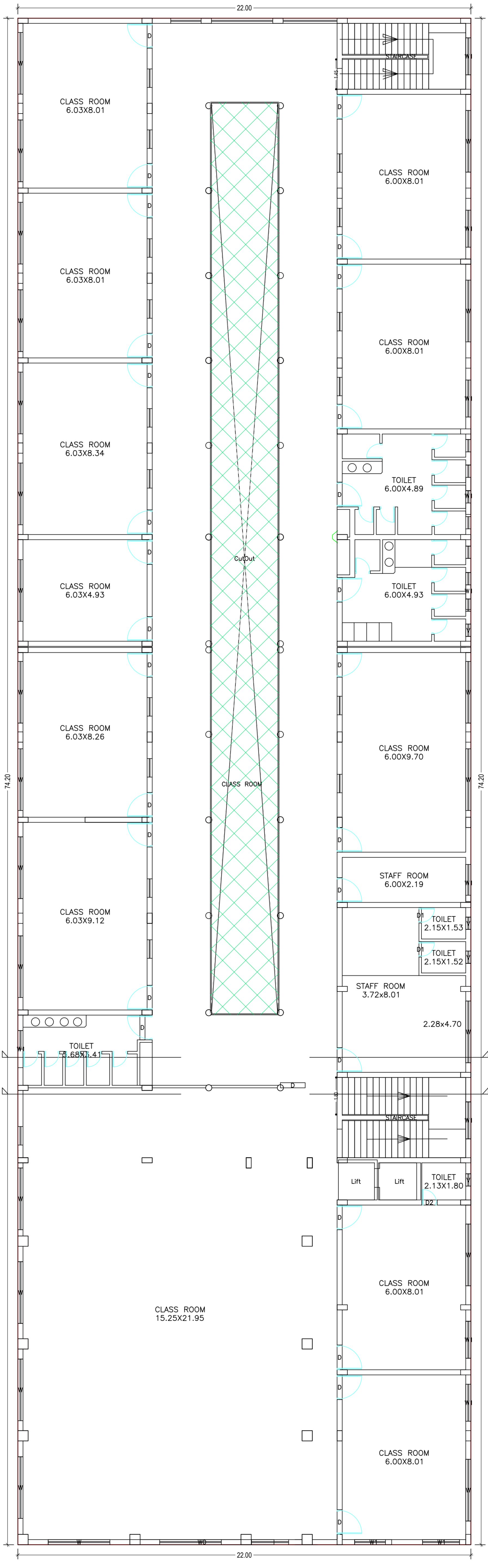
SITE PLAN



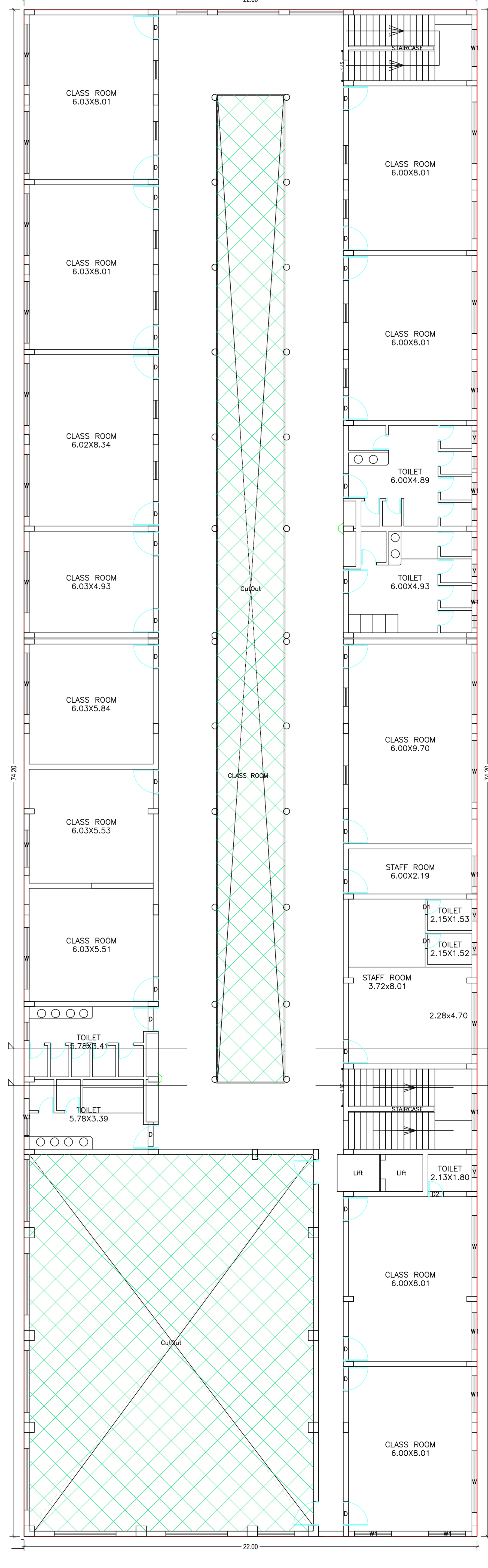
GROUND FLOOR PLAN  
(Proposed)  
(SCALE 1:100)



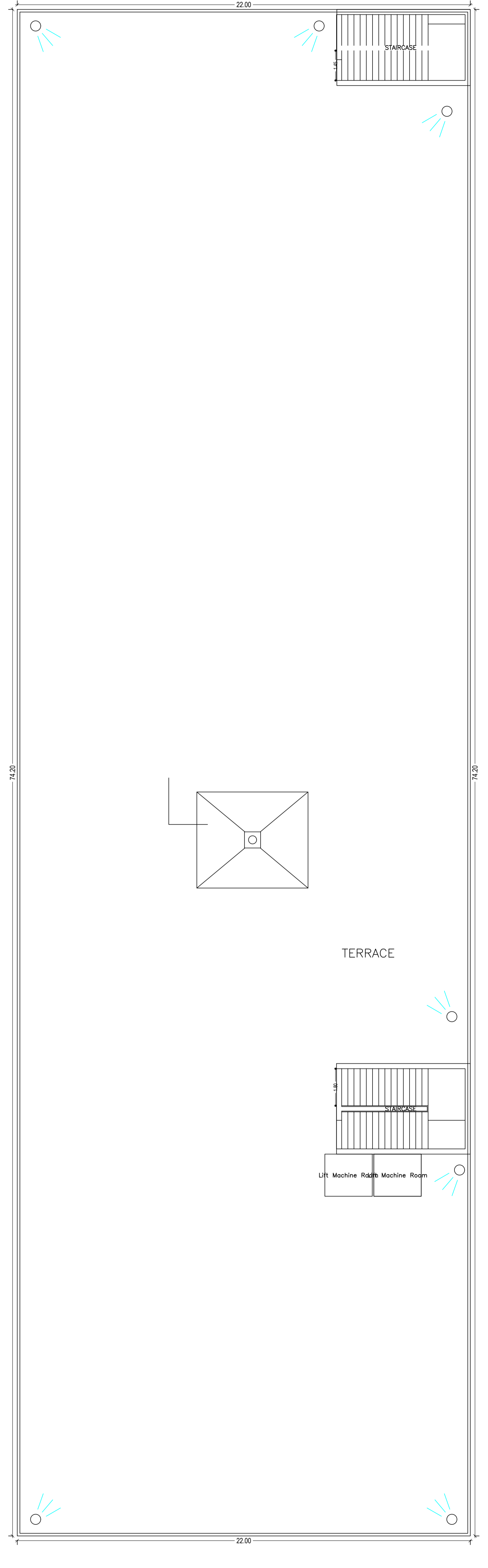
FIRST FLOOR PLAN  
(Proposed)  
(SCALE 1:100)



SECOND FLOOR PLAN  
(Proposed)  
(SCALE 1:100)



THIRD FLOOR PLAN  
(Proposed)  
(SCALE 1:100)



TERRACE FLOOR PLAN  
(SCALE 1:100)