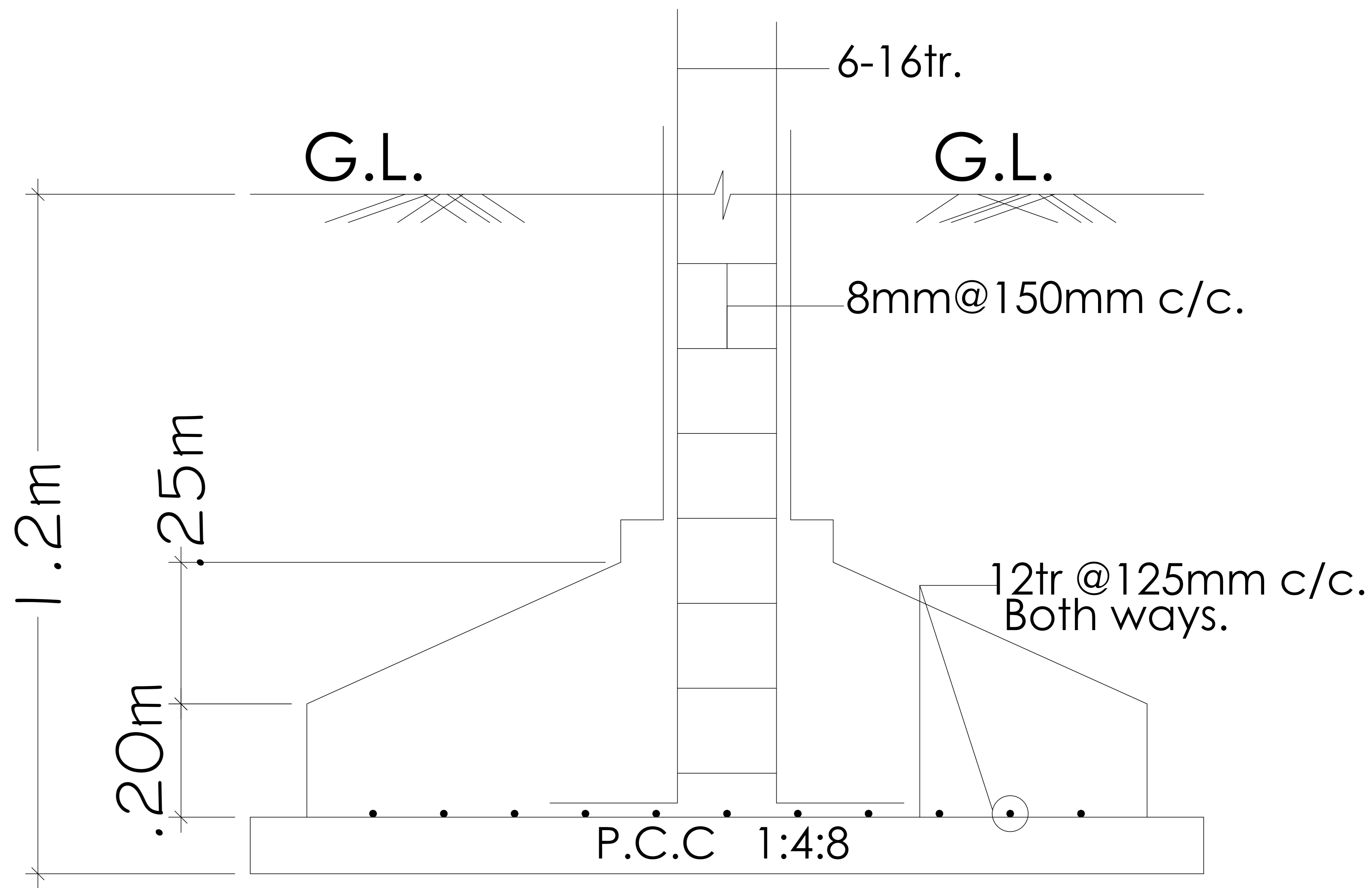


DETAIL OF FOOTING

(Not to Scale)

Structure Detail



SECTION ON = X-X