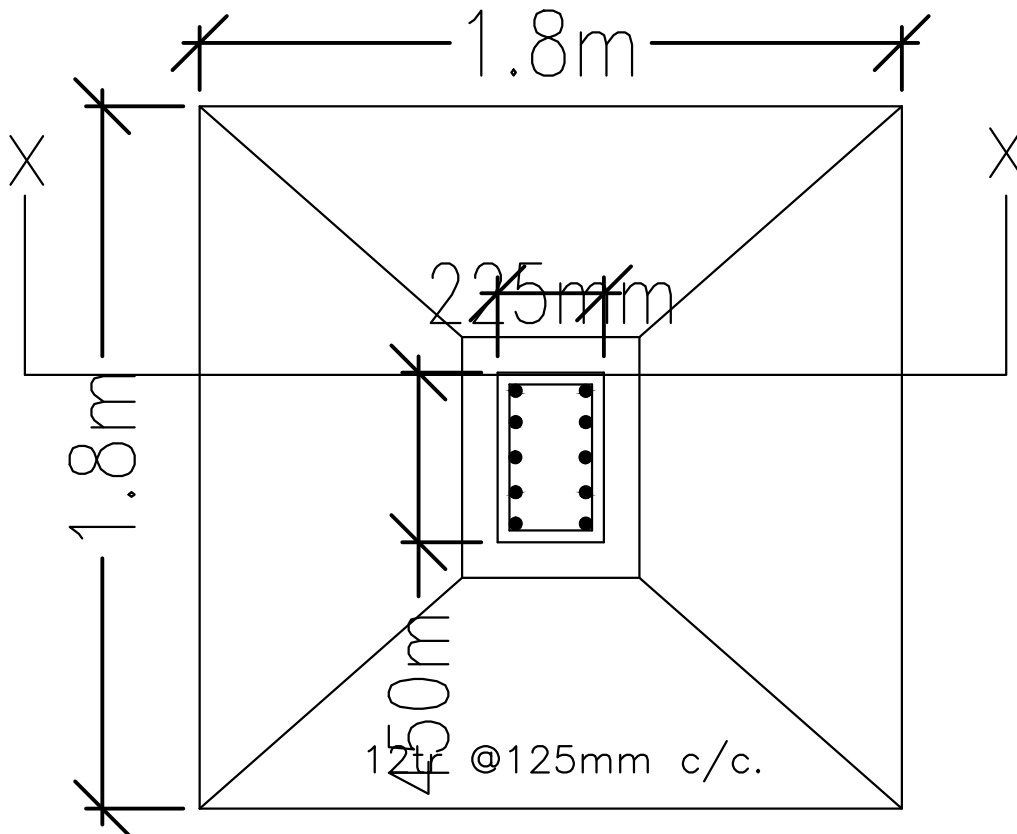


SECTION ON = X-X



DETAIL OF FOOTING