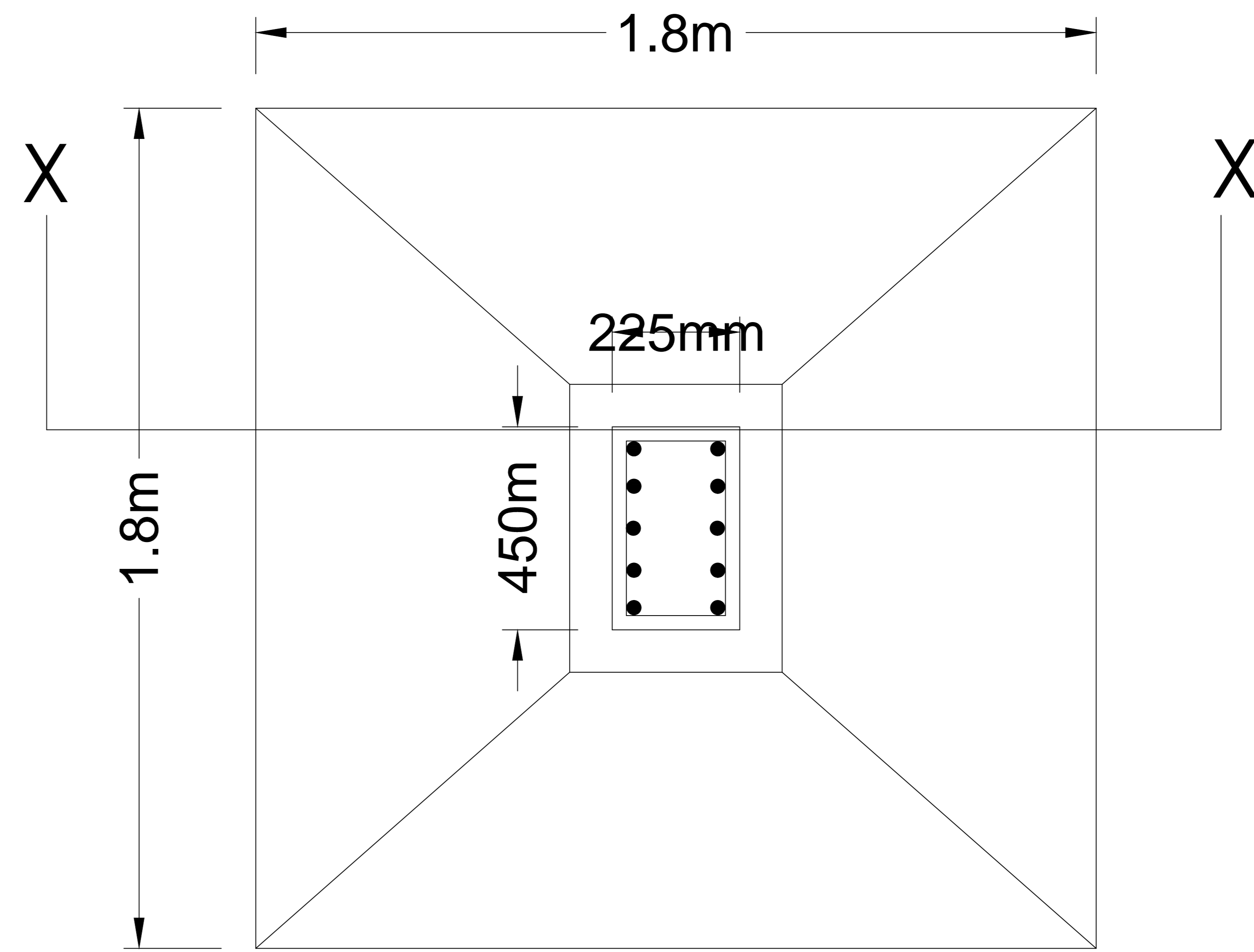
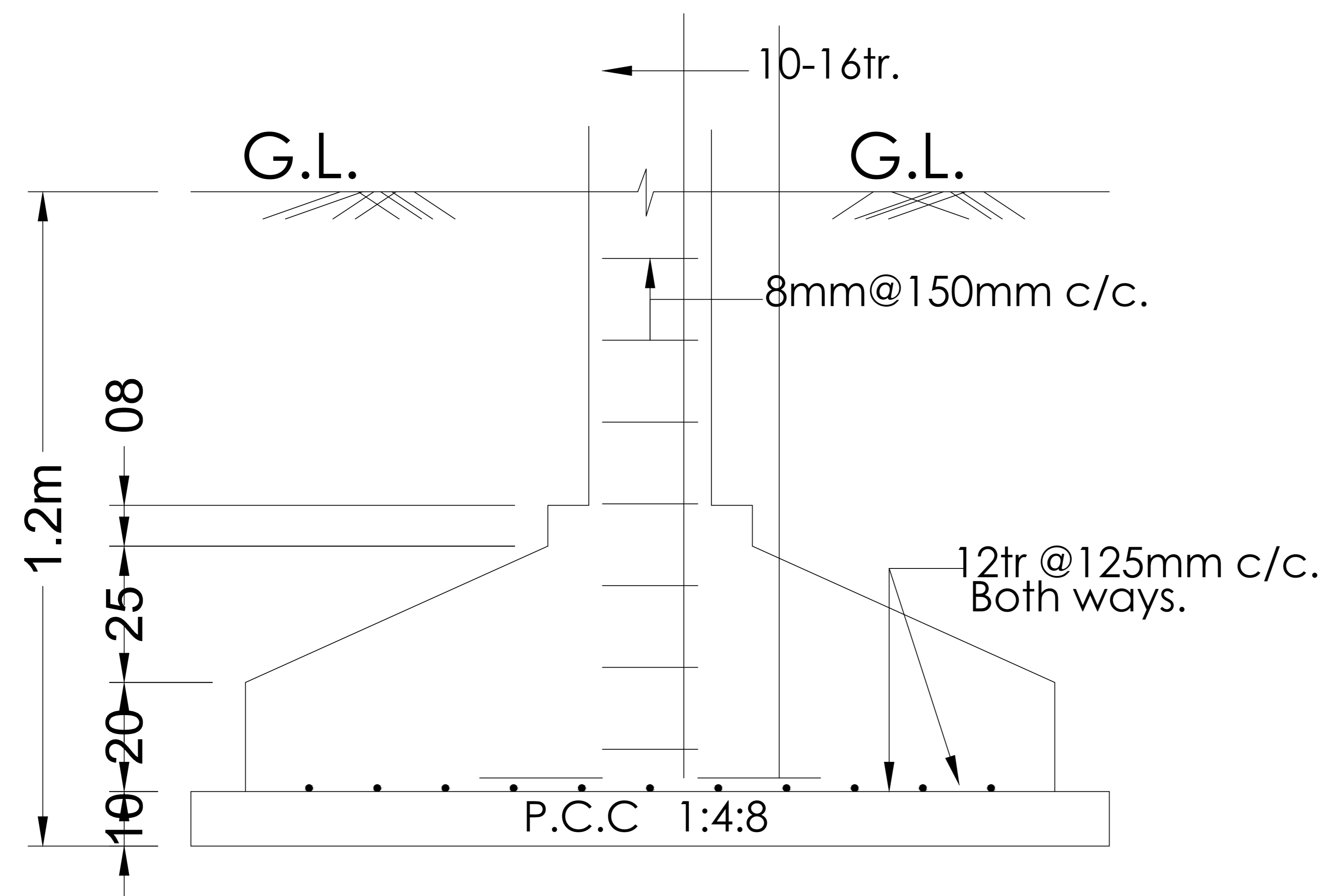


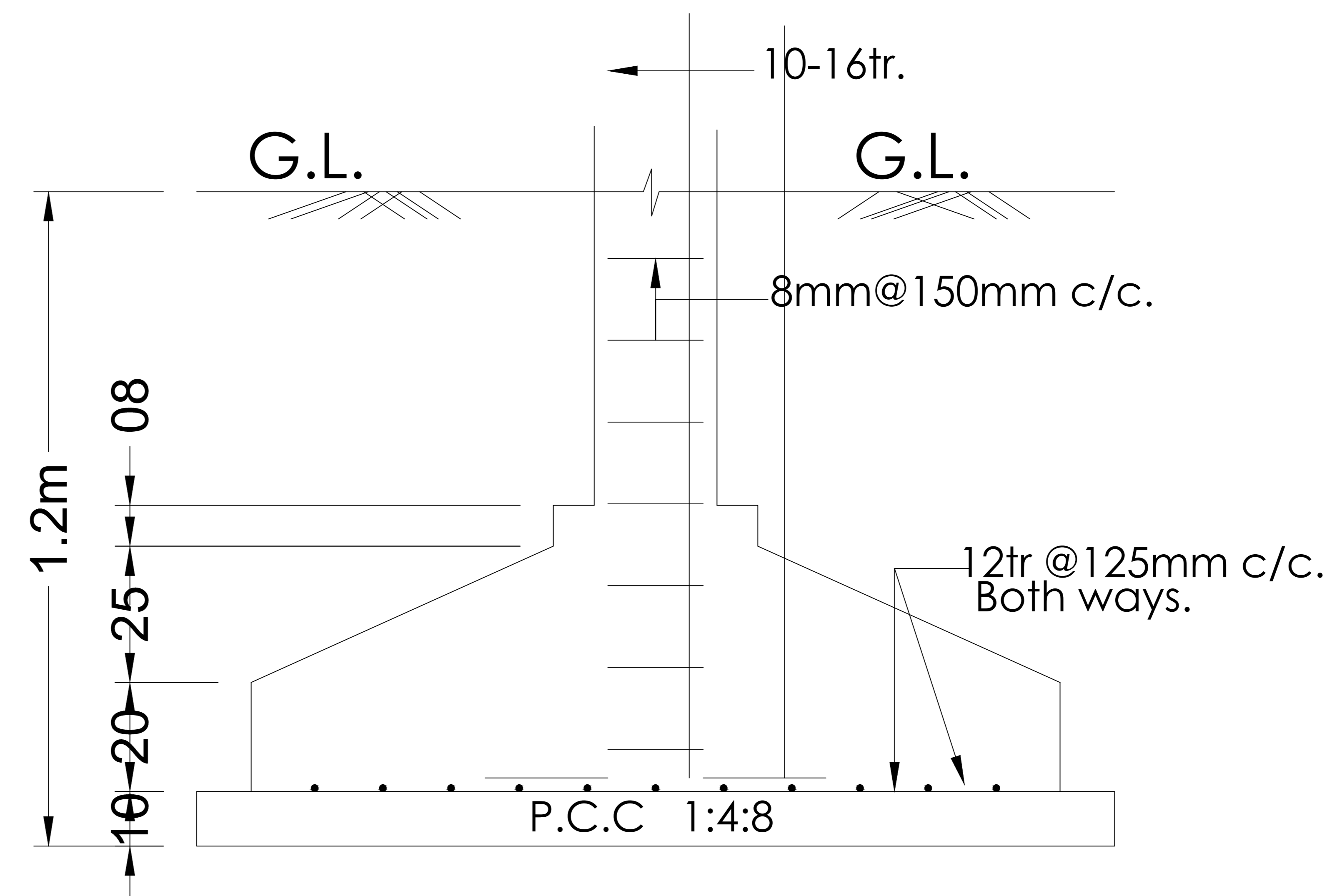
DETAIL OF FOOTING



DETAIL OF FOOTING



Structure Detail SECTION ON = X-X



SECTION ON = X-X