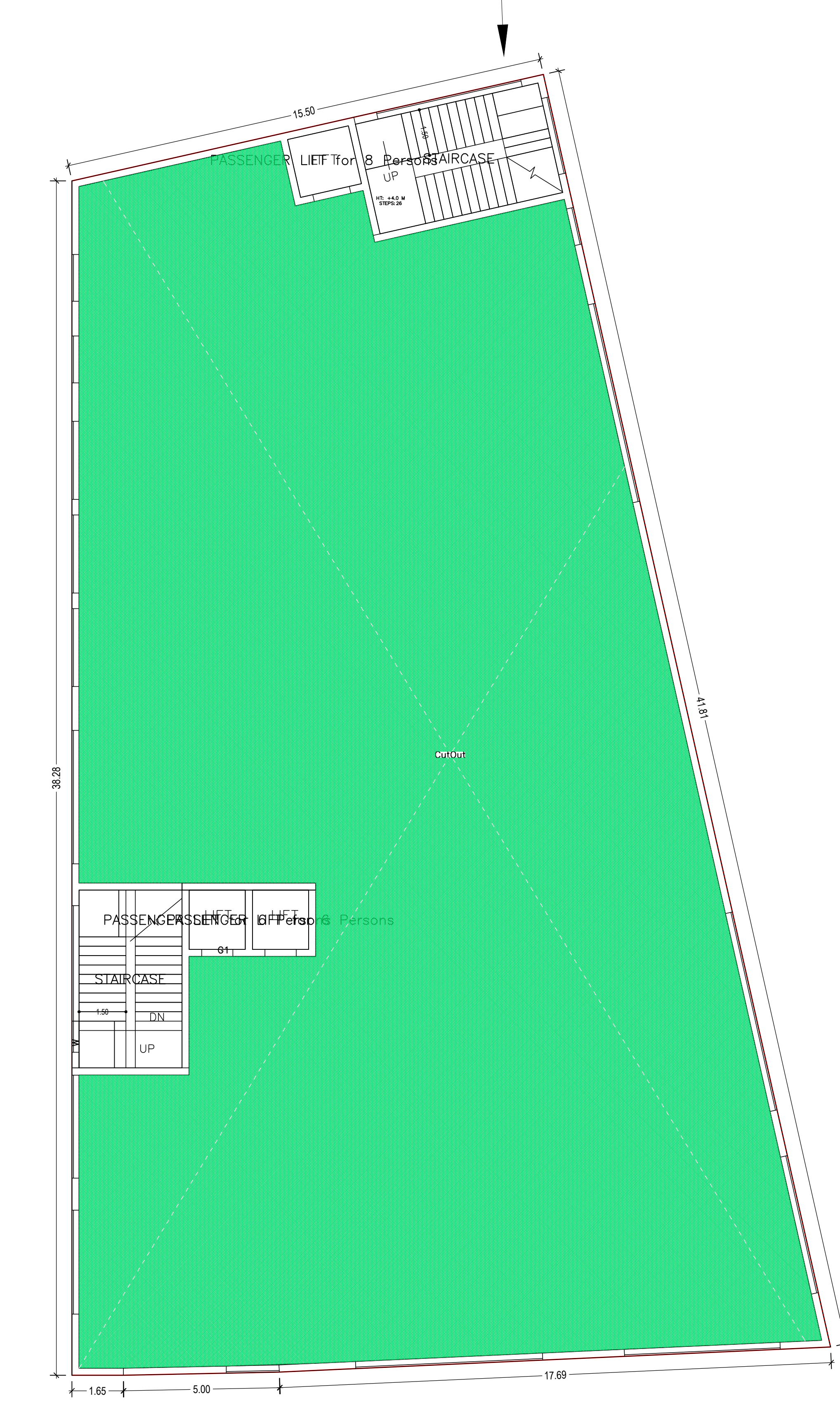
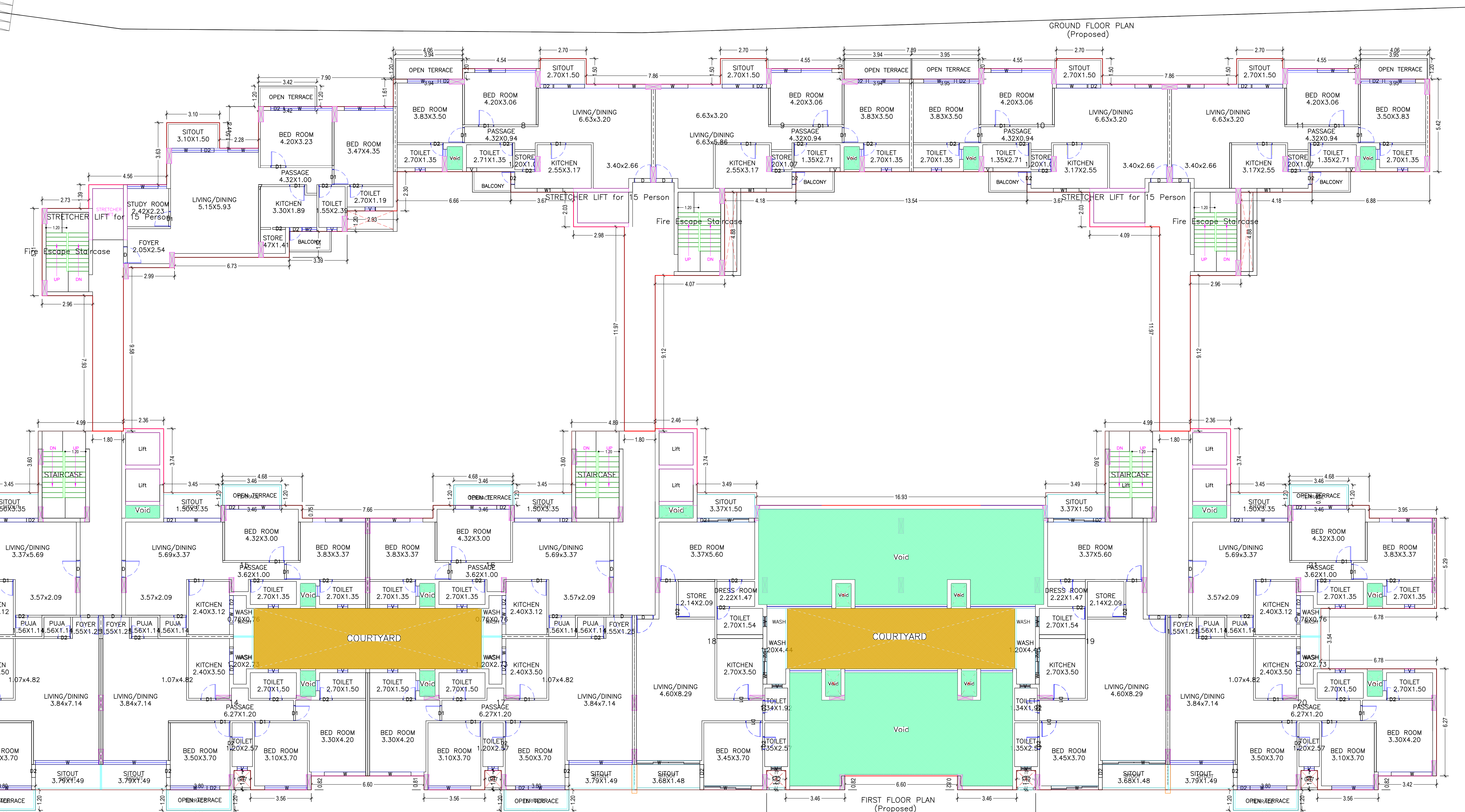
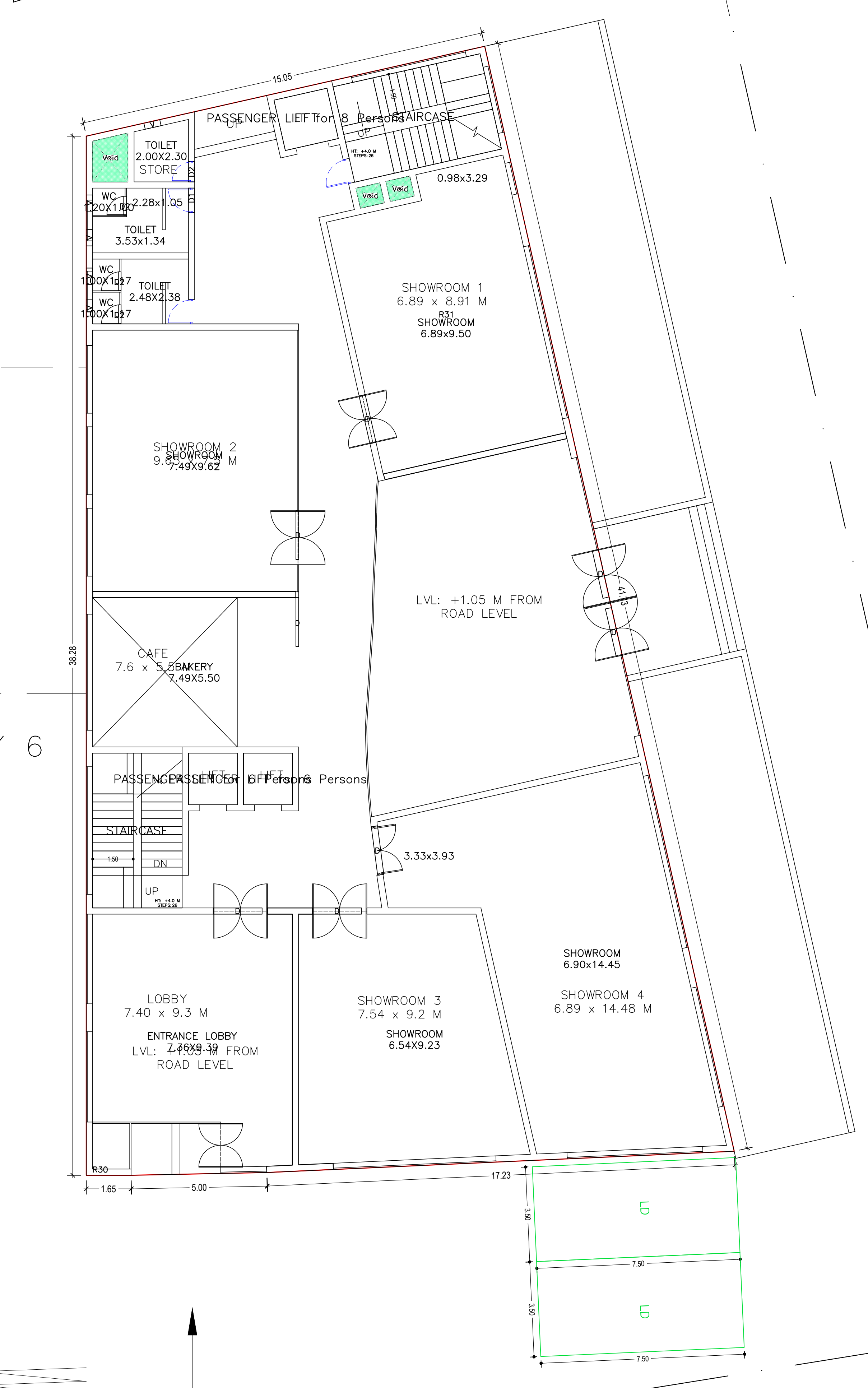
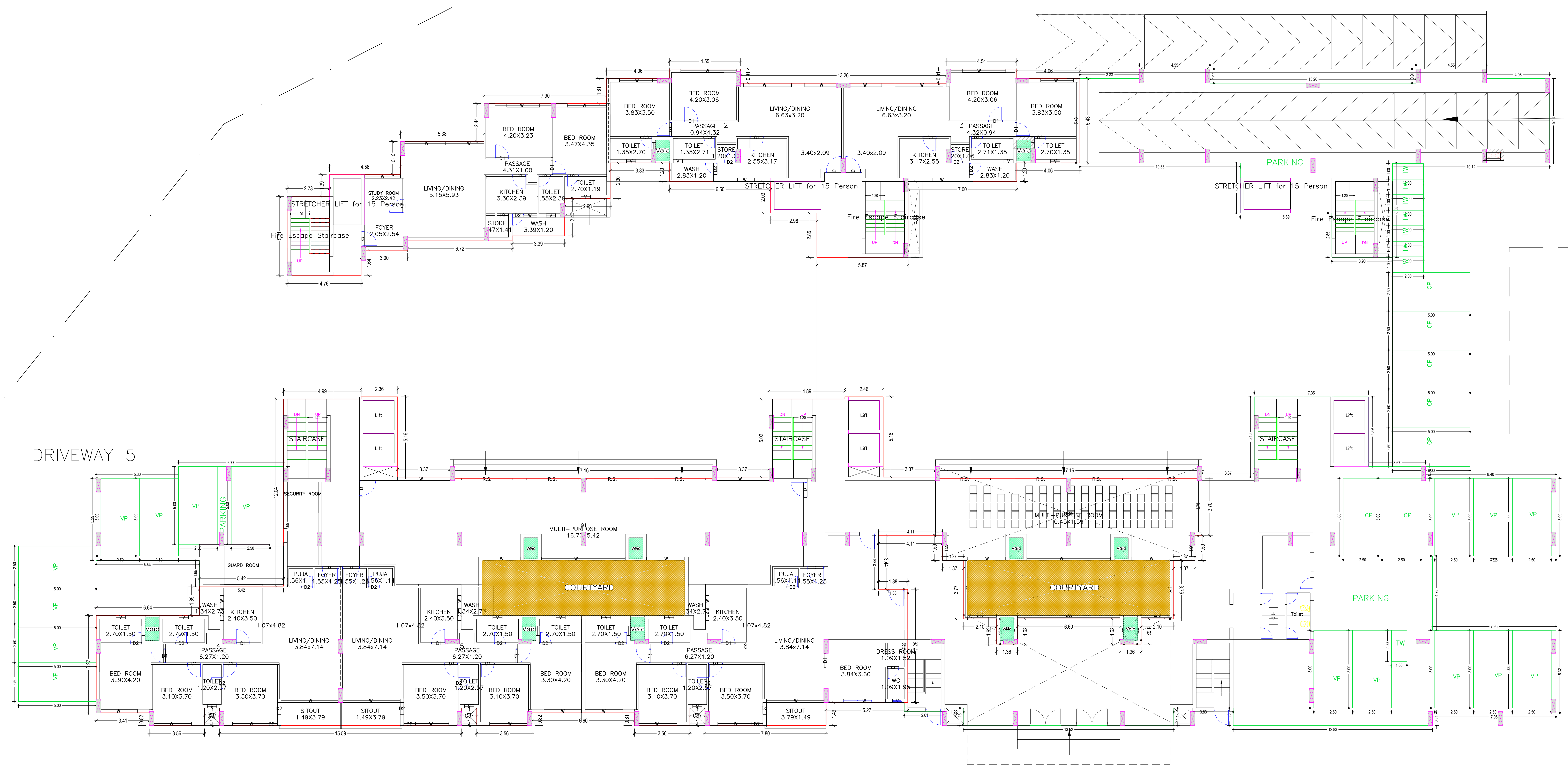
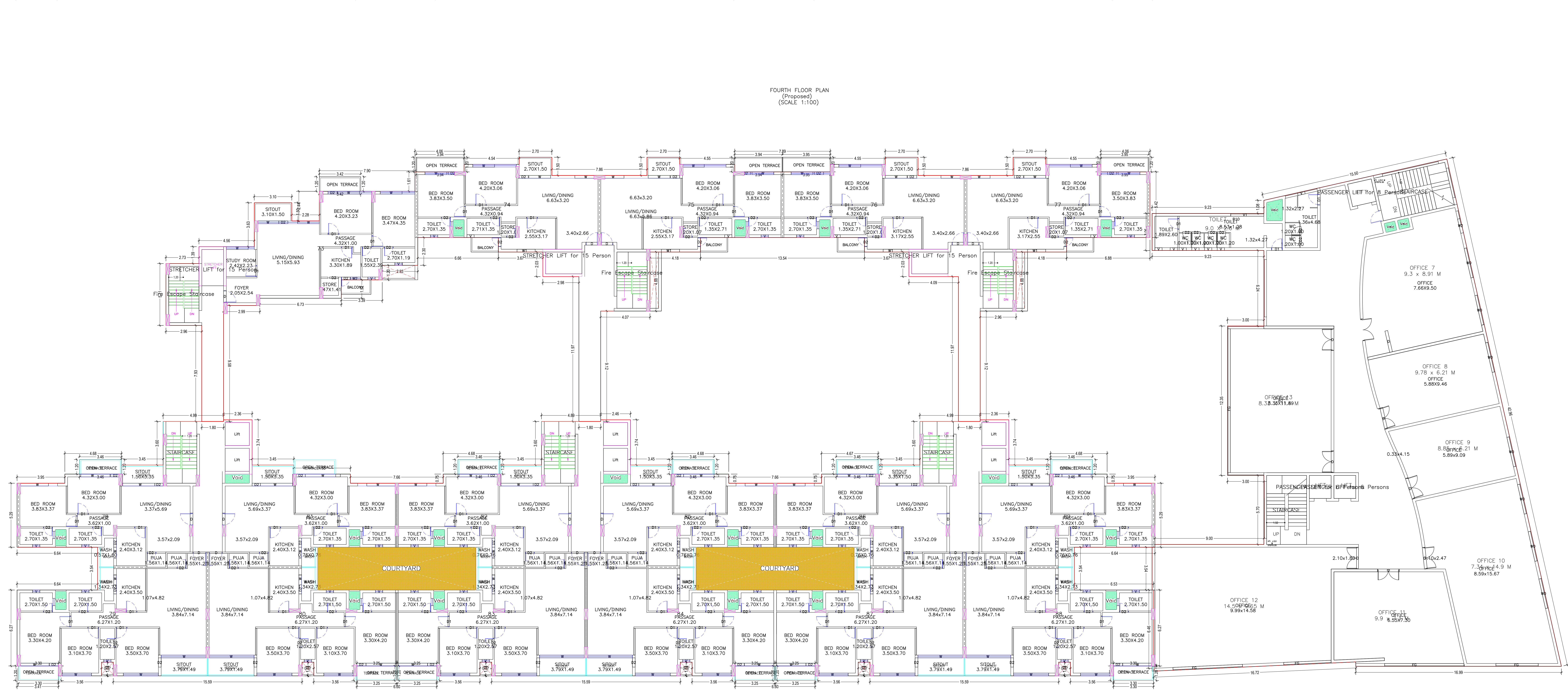
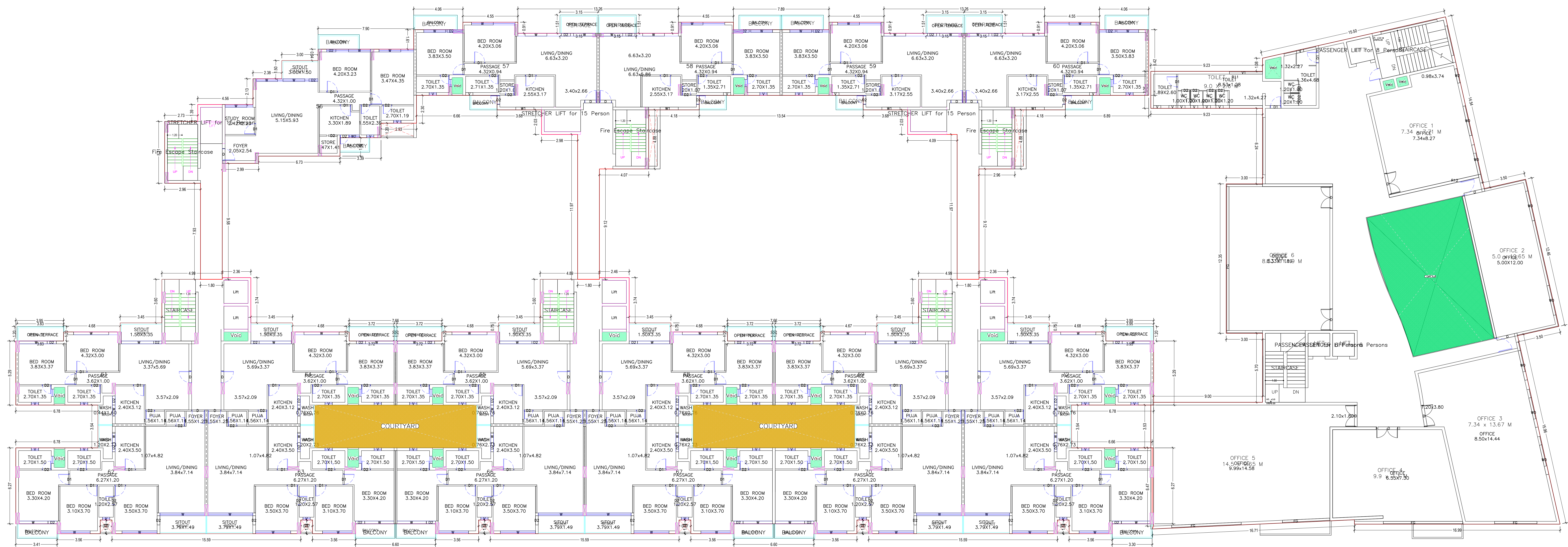


Proposed Basic Information	DATE	05-08-2023
Proposed File No.	AWC/06/000/00019	
Owner Name	MS MENWAY BUILDCON PVT. LTD.	
Plot No.	NA	
Plot No.	4 (J.S.B. ROAD)	
Usage Name	DMCU	
Use	Residential	
Scale	Group Housing	



DATE	05-08-2023
PROJECT NAME AND SIGNATURE	STRUCTURAL ENGINEER NAME AND SIGNATURE
BUILDER NAME AND SIGNATURE	DIGITAL SIGNATURE

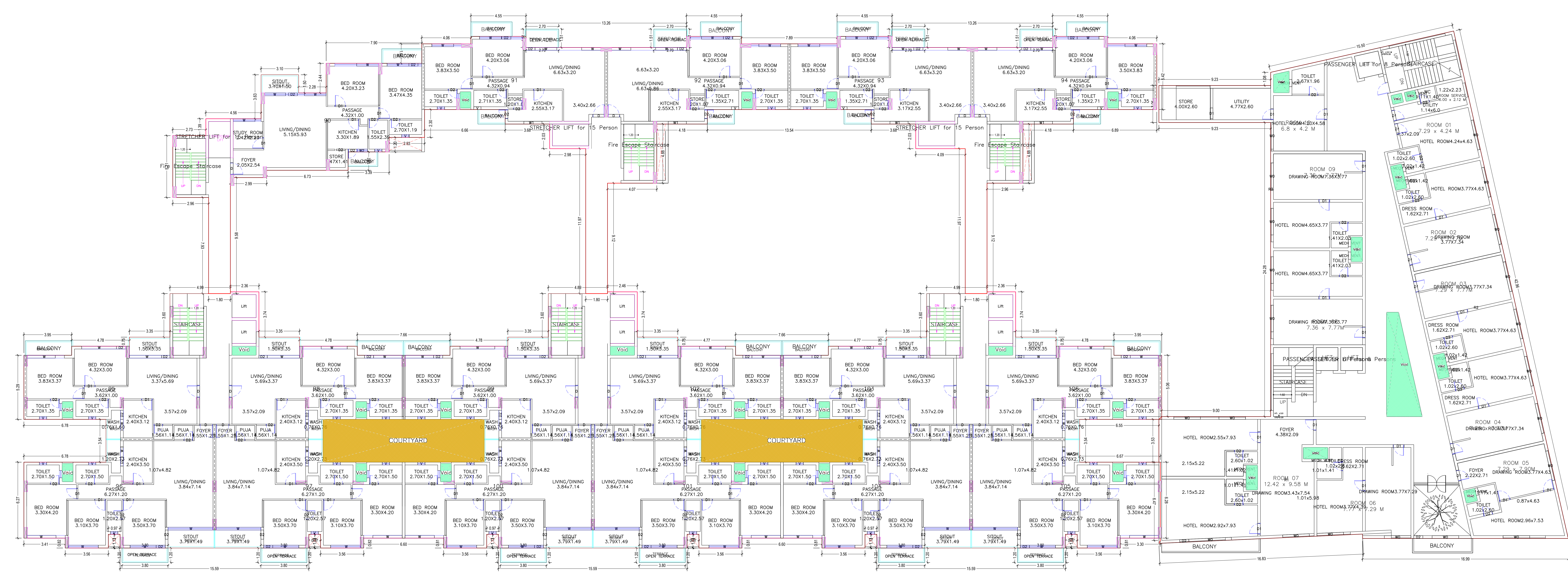
Proposed Basic Information	AMC/MS/0000010019
Owner Name	MS MENWAY BUILDCON PVT. LTD.
Plot No	NA
Part No	4 (15.5 BOWLS)
Usage Name	DMCU
Use	Residential
Station	Group Housing



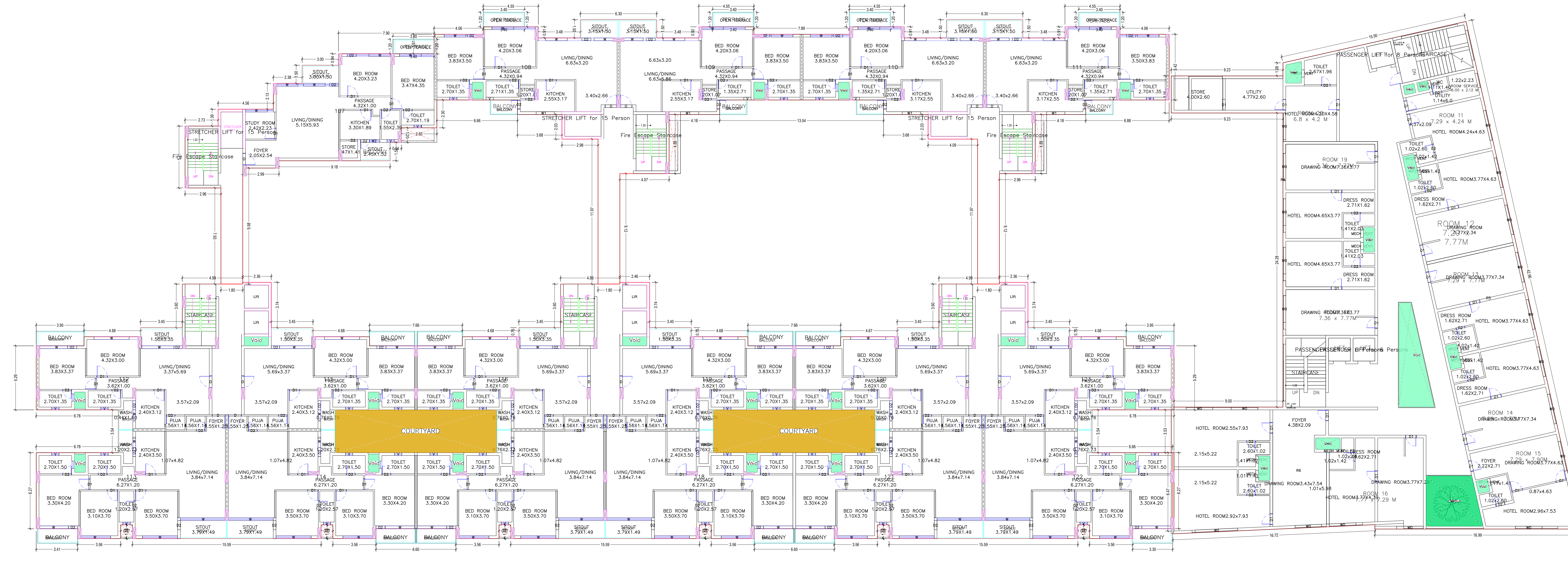
Unit/BUA Table for Building JK (GROUP HOUSING)

FLOOR	Name	UNIT/BUA Type	UNIT/BUA Area	Office Area	No. of Rooms	No. of Bathrooms
SECOND FLOOR PLAN	22	Floor	152.19	152.19	1	1
	23	Floor	152.19	152.19	1	1
	24	Floor	96.33	96.33	1	1
	25	Floor	96.33	96.33	1	1
	26	Floor	96.33	96.33	1	1
	27	Floor	152.19	152.19	1	1
	28	Floor	152.19	152.19	1	1
	29	Floor	152.19	152.19	1	1
	30	Floor	152.19	152.19	1	1
	31	Floor	152.19	152.19	1	1
	32	Floor	152.19	152.19	1	1
	33	Floor	152.19	152.19	1	1
THIRD FLOOR PLAN	34	Floor	152.19	152.19	1	1
	35	Floor	152.19	152.19	1	1
	36	Floor	152.19	152.19	1	1
	37	Floor	152.19	152.19	1	1
	38	Floor	152.19	152.19	1	1
	39	Floor	152.19	152.19	1	1
	40	Floor	152.19	152.19	1	1
	41	Floor	152.19	152.19	1	1
	42	Floor	152.19	152.19	1	1
	43	Floor	152.19	152.19	1	1
	44	Floor	152.19	152.19	1	1
	45	Floor	152.19	152.19	1	1
FOURTH FLOOR PLAN	46	Floor	152.19	152.19	1	1
	47	Floor	152.19	152.19	1	1
	48	Floor	152.19	152.19	1	1
	49	Floor	152.19	152.19	1	1
	50	Floor	152.19	152.19	1	1
	51	Floor	152.19	152.19	1	1
	52	Floor	152.19	152.19	1	1
	53	Floor	152.19	152.19	1	1
	54	Floor	152.19	152.19	1	1
	55	Floor	152.19	152.19	1	1
	56	Floor	152.19	152.19	1	1
	57	Floor	152.19	152.19	1	1
FIFTH FLOOR PLAN	58	Floor	152.19	152.19	1	1
	59	Floor	152.19	152.19	1	1
	60	Floor	152.19	152.19	1	1
	61	Floor	152.19	152.19	1	1
	62	Floor	152.19	152.19	1	1
	63	Floor	152.19	152.19	1	1
	64	Floor	152.19	152.19	1	1
	65	Floor	152.19	152.19	1	1
	66	Floor	152.19	152.19	1	1
	67	Floor	152.19	152.19	1	1
	68	Floor	152.19	152.19	1	1
	69	Floor	152.19	152.19	1	1
SIXTH FLOOR PLAN	70	Floor	152.19	152.19	1	1
	71	Floor	152.19	152.19	1	1
	72	Floor	152.19	152.19	1	1
	73	Floor	152.19	152.19	1	1
	74	Floor	152.19	152.19	1	1
	75	Floor	152.19	152.19	1	1
	76	Floor	152.19	152.19	1	1
	77	Floor	152.19	152.19	1	1
	78	Floor	152.19	152.19	1	1
	79	Floor	152.19	152.19	1	1
	80	Floor	152.19	152.19	1	1
	81	Floor	152.19	152.19	1	1
SEVENTH FLOOR PLAN	82	Floor	152.19	152.19	1	1
	83	Floor	152.19	152.19	1	1
	84	Floor	152.19	152.19	1	1
	85	Floor	152.19	152.19	1	1
	86	Floor	152.19	152.19	1	1
	87	Floor	152.19	152.19	1	1
	88	Floor	152.19	152.19	1	1
	89	Floor	152.19	152.19	1	1
	90	Floor	152.19	152.19	1	1
	91	Floor	152.19	152.19	1	1
	92	Floor	152.19	152.19	1	1
	93	Floor	152.19	152.19	1	1
EIGHTH FLOOR PLAN	94	Floor	152.19	152.19	1	1
	95	Floor	152.19	152.19	1	1
	96	Floor	152.19	152.19	1	1
	97	Floor	152.19	152.19	1	1
	98	Floor	152.19	152.19	1	1
	99	Floor	152.19	152.19	1	1
	100	Floor	152.19	152.19	1	1
	101	Floor	152.19	152.19	1	1
	102	Floor	152.19	152.19	1	1
	103	Floor	152.19	152.19	1	1
	104	Floor	152.19	152.19	1	1
	105	Floor	152.19	152.19	1	1
NINTH FLOOR PLAN	106	Floor	152.19	152.19	1	1
	107	Floor	152.19	152.19	1	1
	108	Floor	152.19	152.19	1	1
	109	Floor	152.19	152.19	1	1
	110	Floor	152.19	152.19	1	1
	111	Floor	152.19	152.19	1	1
	112	Floor	152.19	152.19	1	1
	113	Floor	152.19	152.19	1	1
	114	Floor	152.19	152.19	1	1
	115	Floor	152.19	152.19	1	1
	116	Floor	152.19	152.19	1	1
	117	Floor	152.19	152.19	1	1
TENTH FLOOR PLAN	118	Floor	152.19	152.19	1	1
	119	Floor	152.19	152.19	1	1
	120	Floor	152.19	152.19	1	1
	121	Floor	152.19	152.19	1	1
	122	Floor	152.19	152.19	1	1
	123	Floor	152.19	152.19	1	1
	124	Floor	152.19	152.19	1	1
	125	Floor	152.19	152.19	1	1
	126	Floor	152.19	152.19	1	1
	127	Floor	152.19	152.19	1	1
	128	Floor	152.19	152.19	1	1
	129	Floor	152.19	152.19	1	1
130	Floor	152.19	152.19	1	1	
131	Floor	152.19	152.19	1	1	
132	Floor	152.19	152.19	1	1	
133	Floor	152.19	152.19	1	1	
134	Floor	152.19	152.19	1	1	
135	Floor	152.19	152.19	1	1	
136	Floor	152.19	152.19	1	1	
137	Floor	152.19	152.19	1	1	
138	Floor	152.19	152.19	1	1	
139	Floor	152.19	152.19	1	1	
140	Floor	152.19	152.19	1	1	
141	Floor	152.19	152.19	1	1	
142	Floor	152.19	152.19	1	1	
143	Floor	152.19	152.19	1	1	
144	Floor	152.19	152.19	1	1	
145	Floor	152.19	152.19	1	1	
146	Floor	152.19	152.19	1	1	
147	Floor	152.19	152.19	1	1	
148	Floor	152.19	152.19	1	1	
149	Floor	152.19	152.19	1	1	
150	Floor	152.19	152.19	1	1	
151	Floor	152.19	152.19	1	1	
152	Floor	152.19	152.19	1	1	
153	Floor	152.19	152.19	1	1	
154	Floor	152.19	152.19	1	1	
155	Floor	152.19	152.19	1	1	
156	Floor	152.19	152.19	1	1	
157	Floor	152.19	152.19	1	1	
158	Floor	152.19	152.19	1	1	
159	Floor	152.19	152.19	1	1	
160	Floor	152.19	152.19	1	1	
161	Floor	152.19	152.19	1	1	
162	Floor	152.19	152.19	1	1	
163	Floor	152.19	152.19	1	1	
164	Floor	152.19	152.19	1	1	
165	Floor	152.19	152.19	1	1	
166	Floor	152.19	152.19	1	1	
167	Floor	152.19	152.19	1	1	
168	Floor	152.19	152.19	1	1	
169	Floor	152.19	152.19	1	1	
170	Floor	152.19	152.19	1	1	
171	Floor	152.19	152.19	1	1	
172	Floor	152.19	152.19	1	1	
173	Floor	152.19	152.19	1	1	
174	Floor	152.19	152.19	1	1	
175	Floor	152.19	152.19	1	1	
176	Floor	152.19	152.19	1	1	
177	Floor	152.19	152.19	1	1	
178	Floor	152.19	152.19	1	1	
179	Floor	152.19	152.19	1	1	
180	Floor	152.19	152.19	1	1	
181	Floor	152.19	152.19	1	1	
182	Floor	152.19	152.19	1	1	
183	Floor	152.19	152.19	1	1	
184	Floor	152.19	152.19	1	1	
185	Floor	152.19	152.19	1	1	
186	Floor	152.19	152.19	1	1	
187	Floor	152.19	152.19	1	1	
188	Floor	152.19	152.19	1	1	
189	Floor	152.19	152.19	1	1	
190	Floor	152.19	152.19	1	1	
191	Floor	152.19	152.19	1	1	
192	Floor	152.19	152.19	1	1	
193	Floor	152.19	152.19	1	1	
194	Floor	152.19	152.19	1	1	
195	Floor	152.19	152.19	1	1	
196	Floor	152.19	152.19	1	1	
197	Floor	152.19	152.19	1	1	
198	Floor	152.19	152.19	1	1	
199	Floor	152.19	152.19	1	1	
200	Floor	152.19	152.19	1	1	
201	Floor	152.19	152.19	1	1	
202	Floor	152.19	152.19	1	1	
203	Floor	152.19	152.19	1	1	
204	Floor	152.19	152.19	1	1	
205	Floor	152.19	152.19	1	1	
206	Floor	152.19	152.19	1	1	
207	Floor	152.19	152.19	1	1	
208	Floor	152.19	152.19	1	1	
209	Floor	152.19	152.19	1	1	
210	Floor	152.19	152.19	1	1	
211	Floor	152.19	152.19	1	1	
212	Floor	152.19	152.19	1	1	
213	Floor	152.19	152.19	1	1	
214	Floor	152.19	152.19	1	1	
215	Floor	152.19	152.19	1	1	
216	Floor	152.19	152.19	1	1	
217	Floor	152.19	152.19	1	1	
218	Floor	152.19	152.19	1	1	
219	Floor	152.19	152.19	1	1	
220	Floor	152.19	152.19	1	1	
221	Floor	152.19	152.19	1	1	
222	Floor	152.19	152.19	1	1	
223	Floor	152.19	152.19	1	1	
224	Floor	152.19	152.19	1	1	
225	Floor	152.19	152.19	1	1	
226	Floor	152.19	152.19	1	1	
227	Floor	152.19	152.19	1	1	
228	Floor	152.19	152.19	1	1	
229	Floor	152.19	152.19	1	1	
230	Floor	152.19	152.19	1	1	
231	Floor	152.19	152.19	1	1	
232	Floor	152.19	152.19	1	1	
233	Floor	152.19	152.19	1	1	
234	Floor	152.19	152.19	1	1	
235	Floor	152.19	152.19	1	1	
236	Floor	152.19	152.19	1	1	
237	Floor	152.19	152.19	1	1	
238	Floor	152.19	152.19	1	1	
239	Floor	152.19	152.19	1	1	
240	Floor	152.19	152.19	1	1	
241	Floor	152.19	152.19	1	1	
242	Floor	152.19	152.19	1		

Proposed Basic Information	Project No	AMC6500010019
Owner Name	MS MERRY BUILDCON PVT. LTD	
Plot No	NA	
Plot No	4 (U.S. ROAD)	
Usage Name	DMCU	
Use	Residential	
Station	Group Housing	



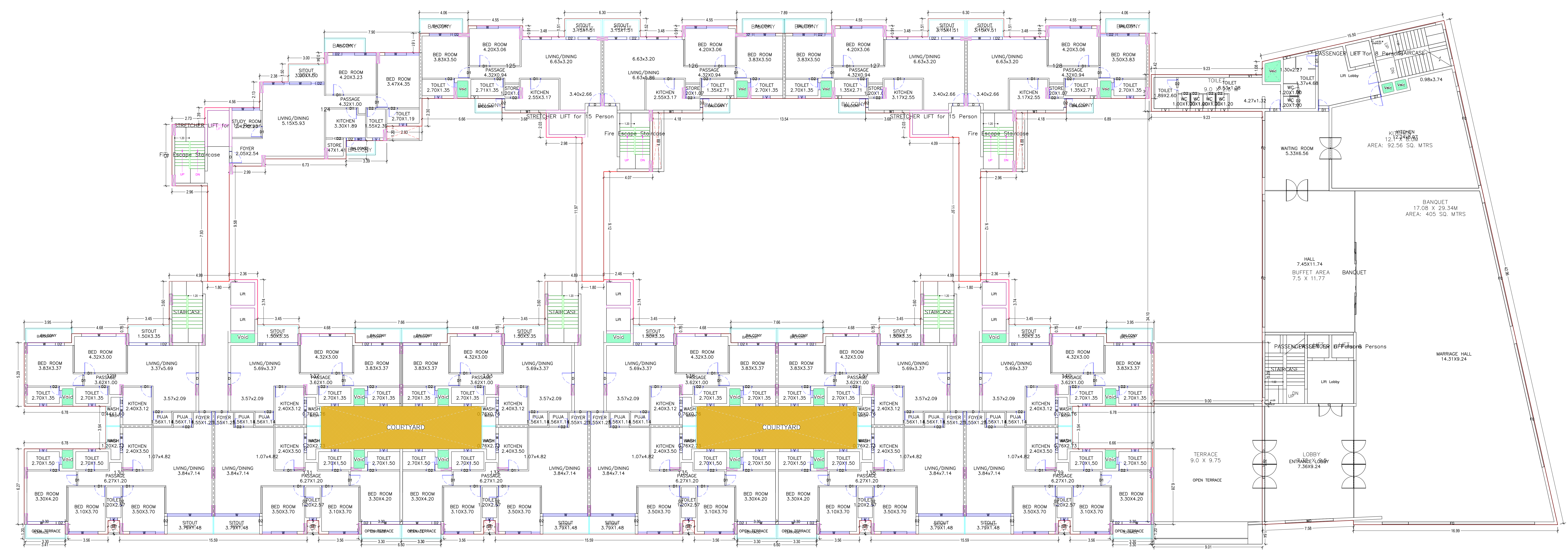
SIXTH FLOOR PLAN
(Proposed)
(SCALE 1:100)



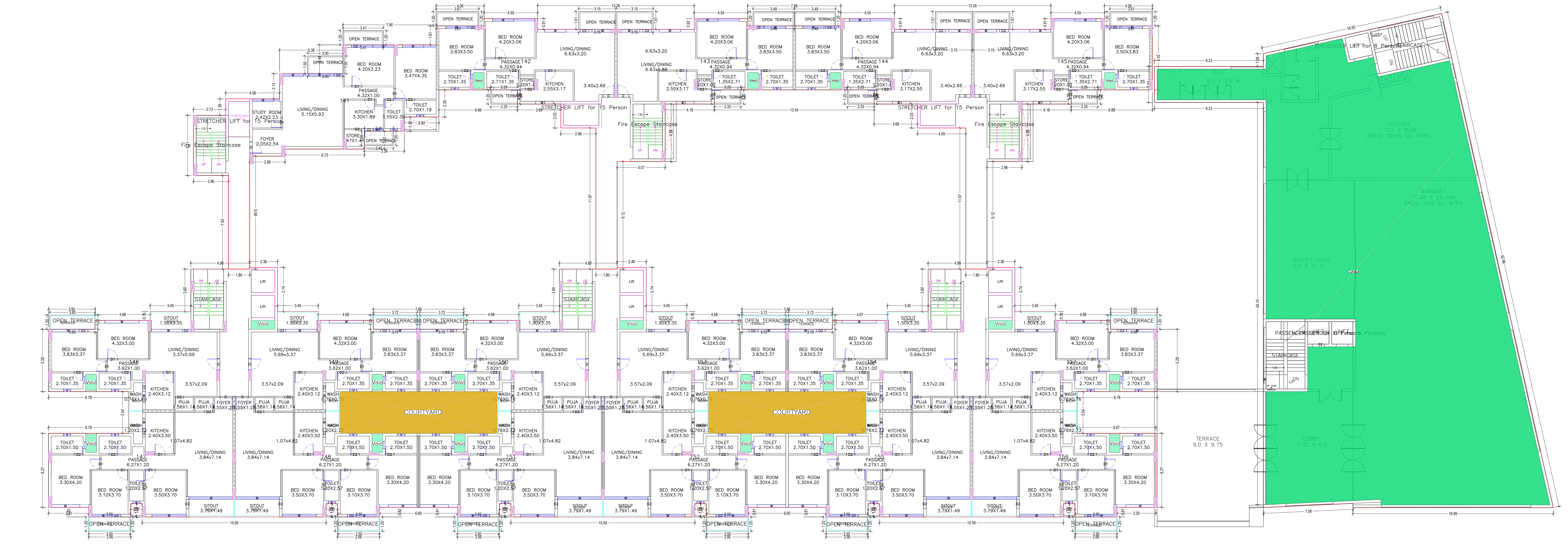
SEVENTH FLOOR PLAN
(Proposed)
(SCALE 1:100)

DATE	05-08-2023
SHEET NO	8
PROJECT NO	AMC6500010019
OWNER NAME	MS MERRY BUILDCON PVT. LTD
DATE	05-08-2023
SHEET NO	8

Proposed Basic Information	DATE	05-08-2023
Proposal No.	AMC/0000010019	SHEET NO
Owner Name	MS MERRYWAY BUILDCON PVT. LTD.	
Plot No.	NA	
Plot No.	4 (U.S.B ROAD)	
Usage Name	DMCU	
Use	Residential	
Station	Group Housing	

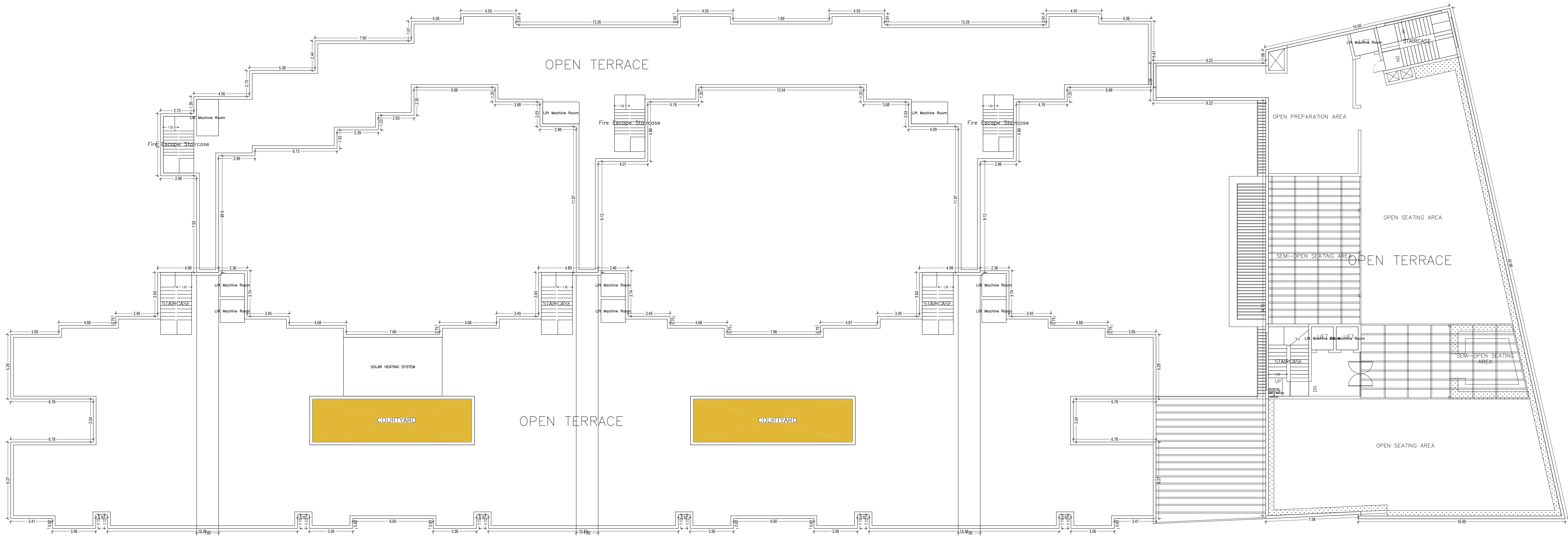


EIGHTH FLOOR PLAN
(Proposed)
(SCALE: 1:100)

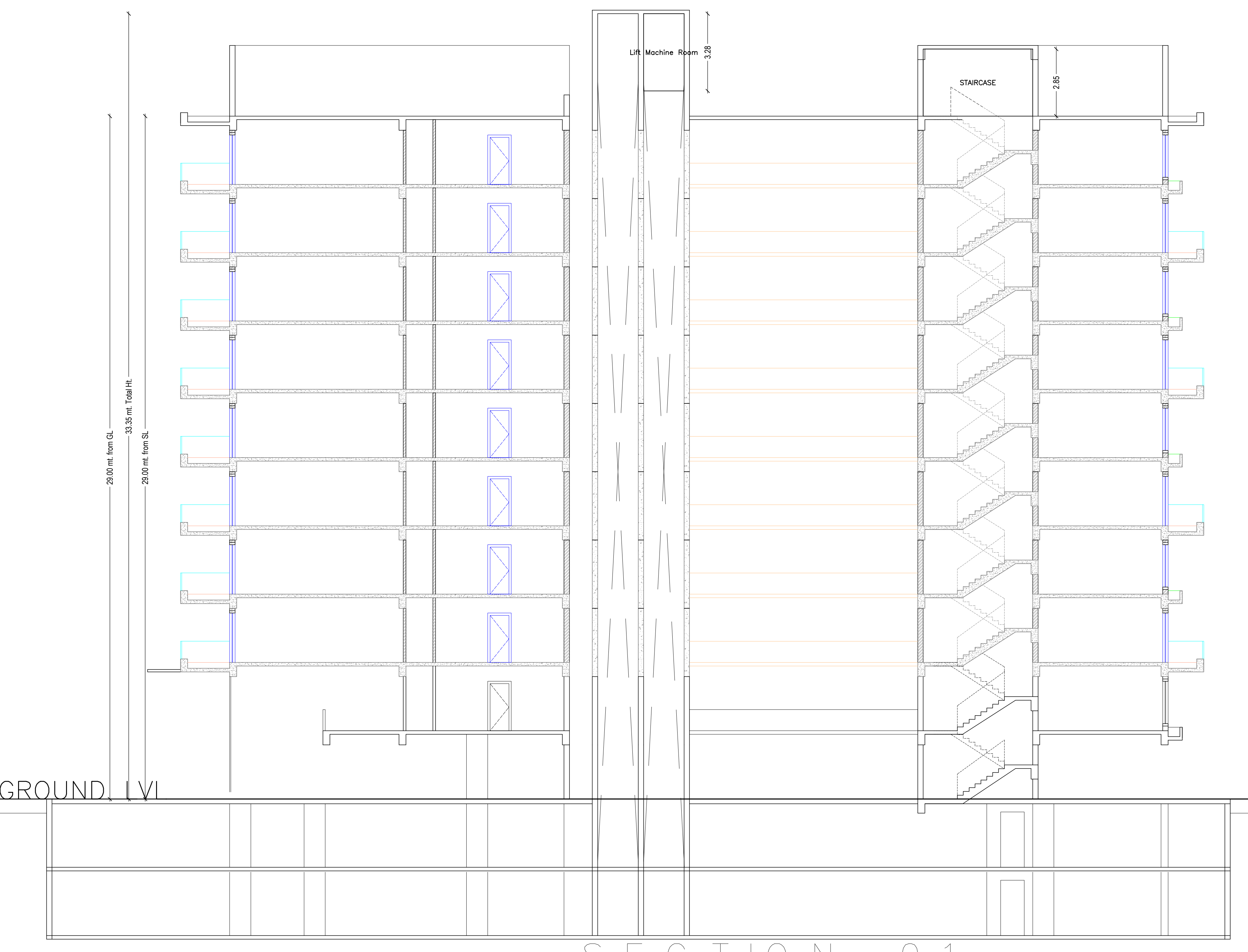


NINTH FLOOR PLAN
(Proposed)
(SCALE: 1:100)

DATE	05-08-2023
PROJECT NAME AND SIGNATURE	STRUCTURAL ENGINEER NAME AND SIGNATURE
BUILDER NAME AND SIGNATURE	DIGITAL SIGNATURE



TERRACE FLOOR PLAN
(SCALE 1:100)



SECTION 01



SECTION 03