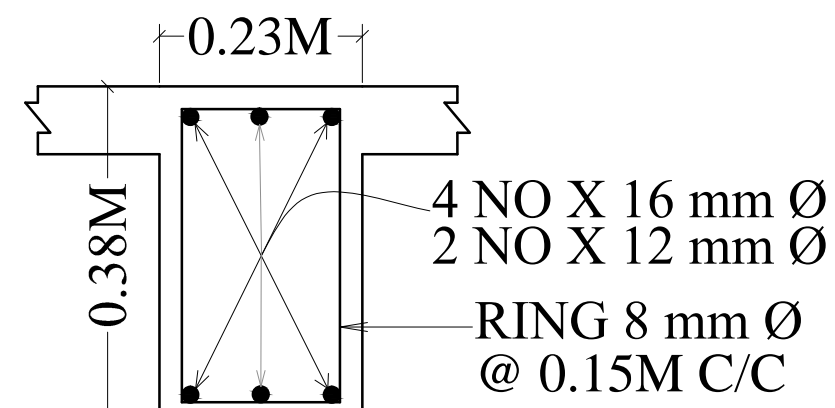
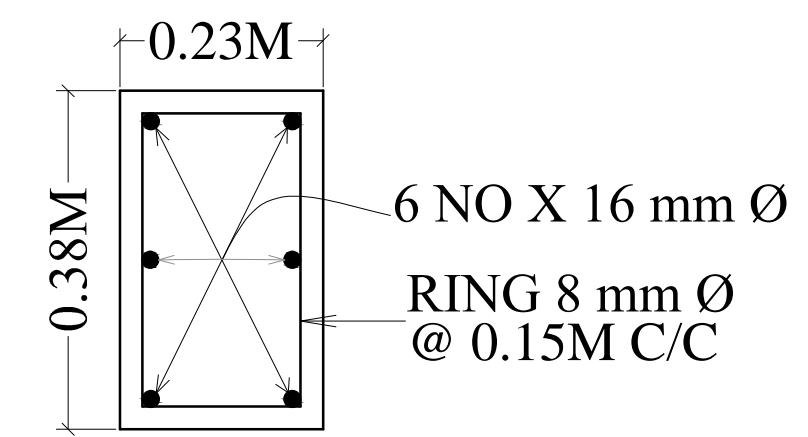


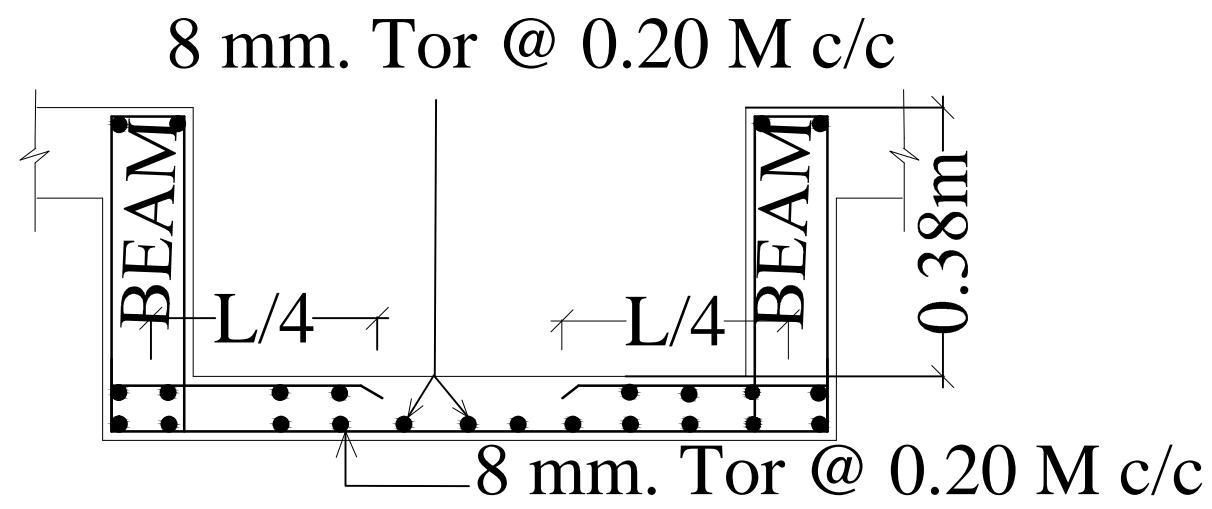
**SECTION OF TYPICAL FLOOR BEAM**



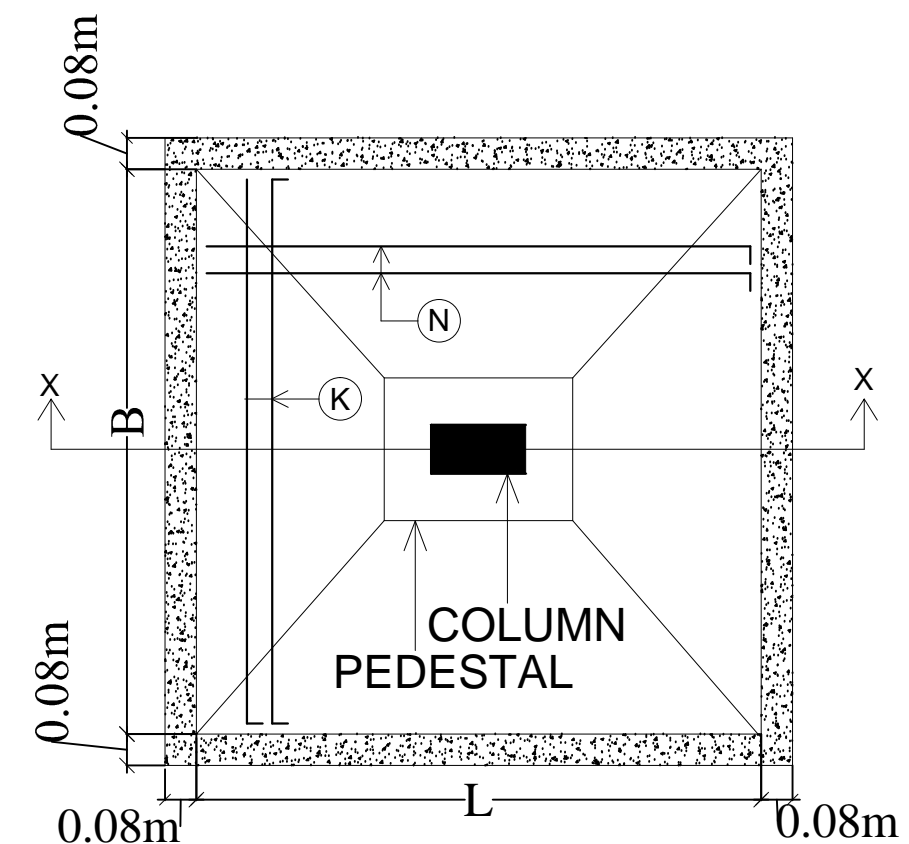
**C.S. OF ROOF BEAM  
SIZE - 0.23M X 0.38M**



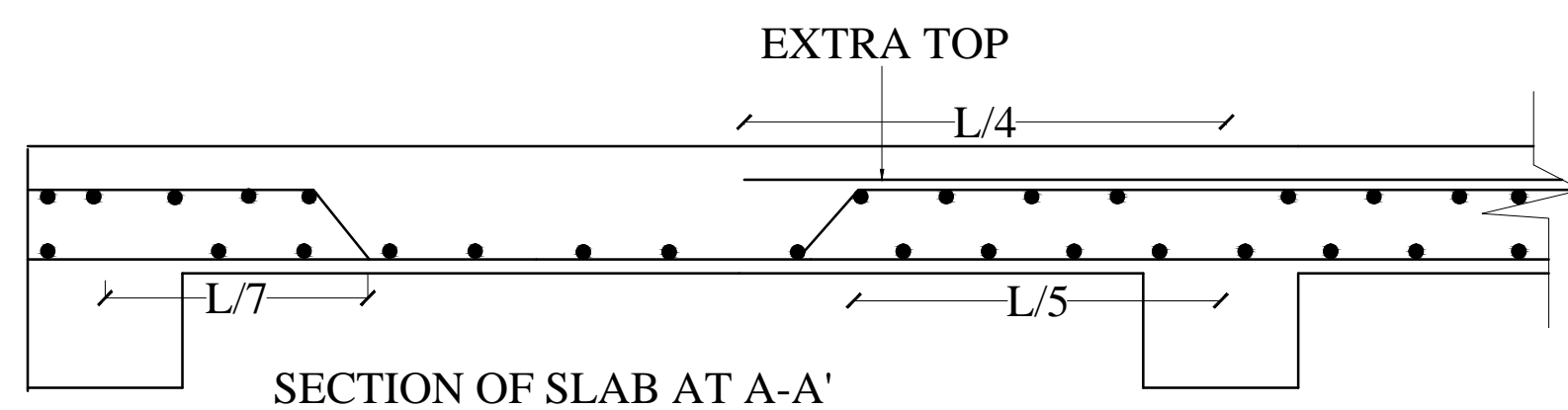
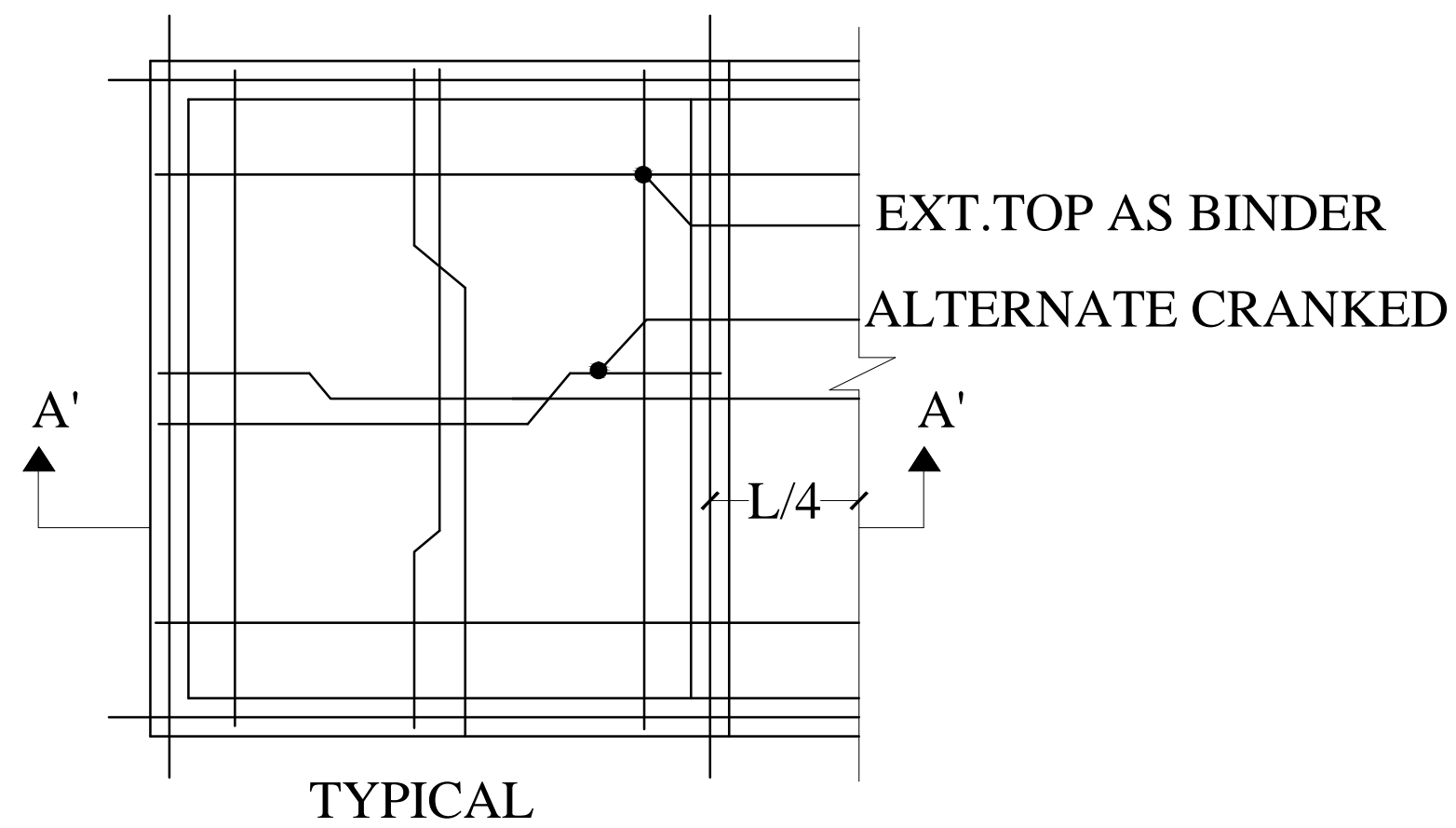
**C.S. OF COLUMN .  
SIZE - 0.23M X 0.38M**



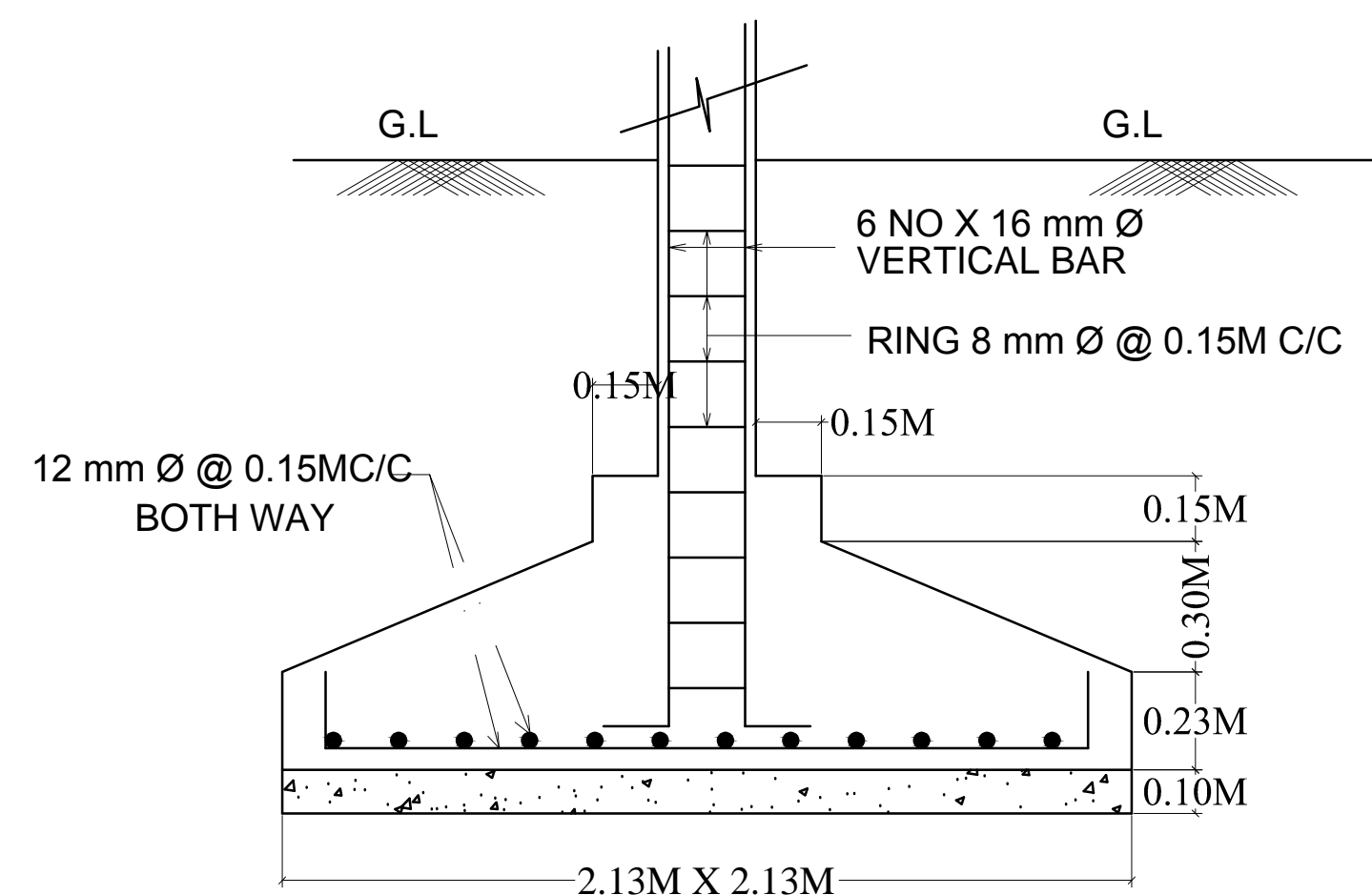
**THICKNESS OF SLAB = 0.11m**



**PLAN OF ISOLATED FOOTING**



**Structure Detail**



**SECTION OF FOOTING .  
SIZE - 2.13M X 2.13M**