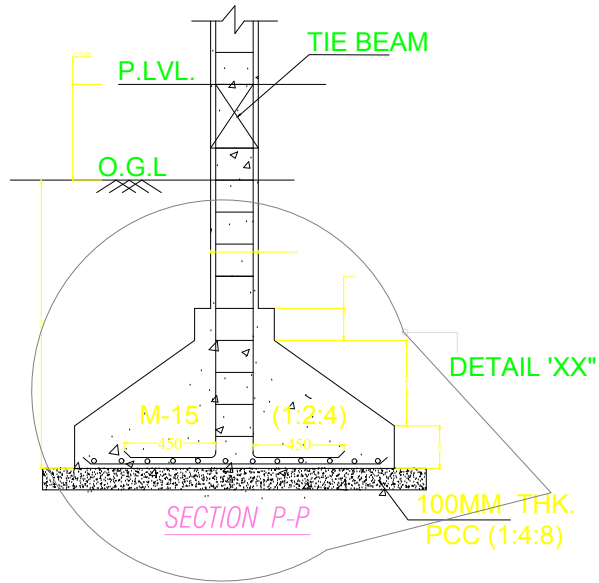
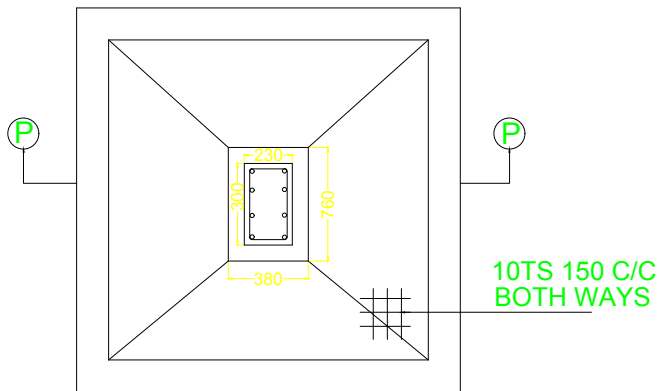


C/S OF COL.



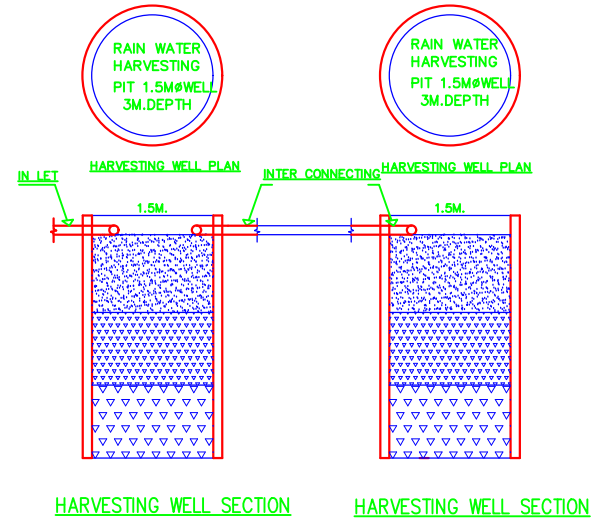
SECTION P-P

100MM THK.
PCC (1:4:8)



PLAN

FOOTING PLAN (AS/STRL. DESIGN)
SCALE N.T.S



Rain Water Storage Tank Detail