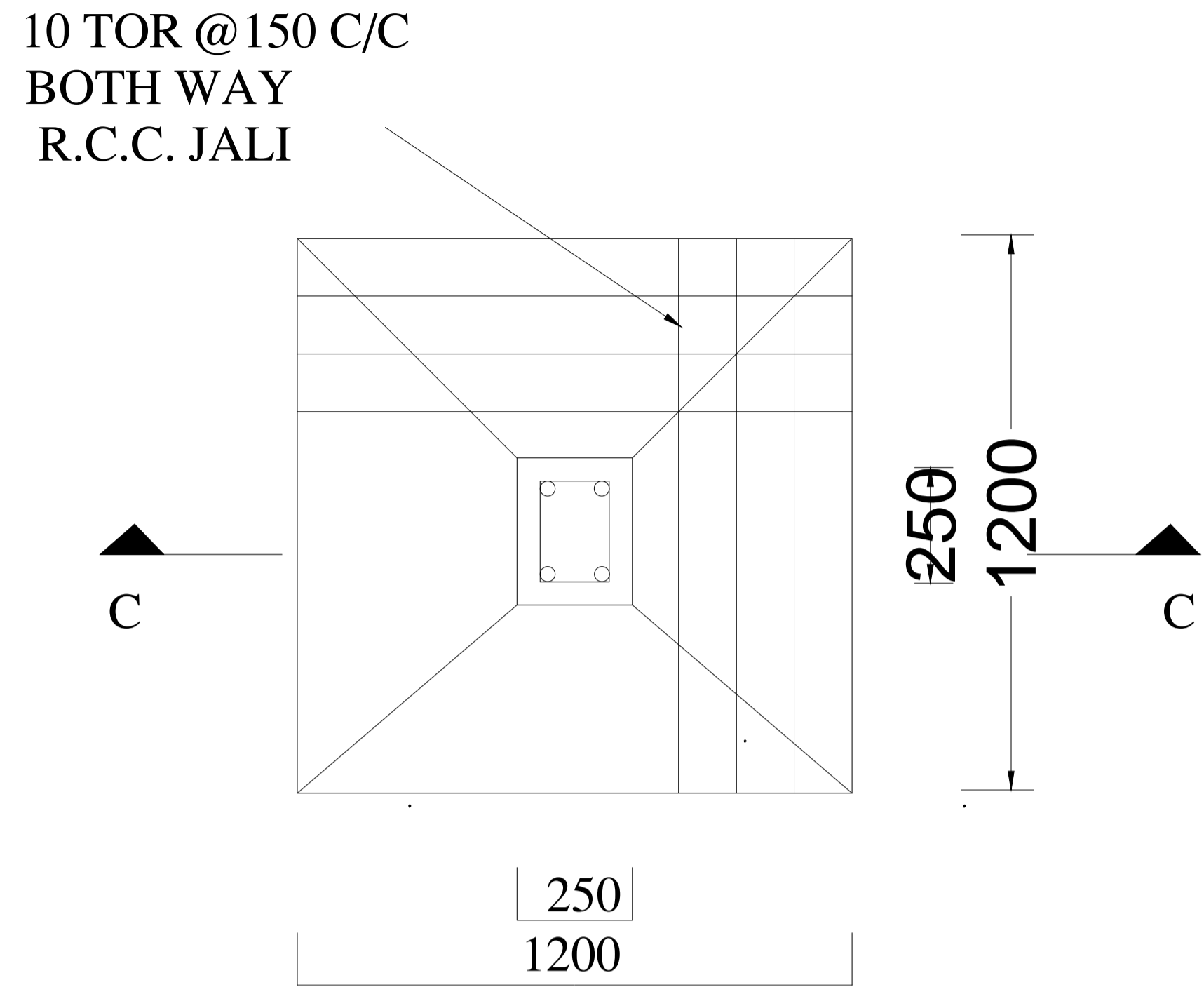
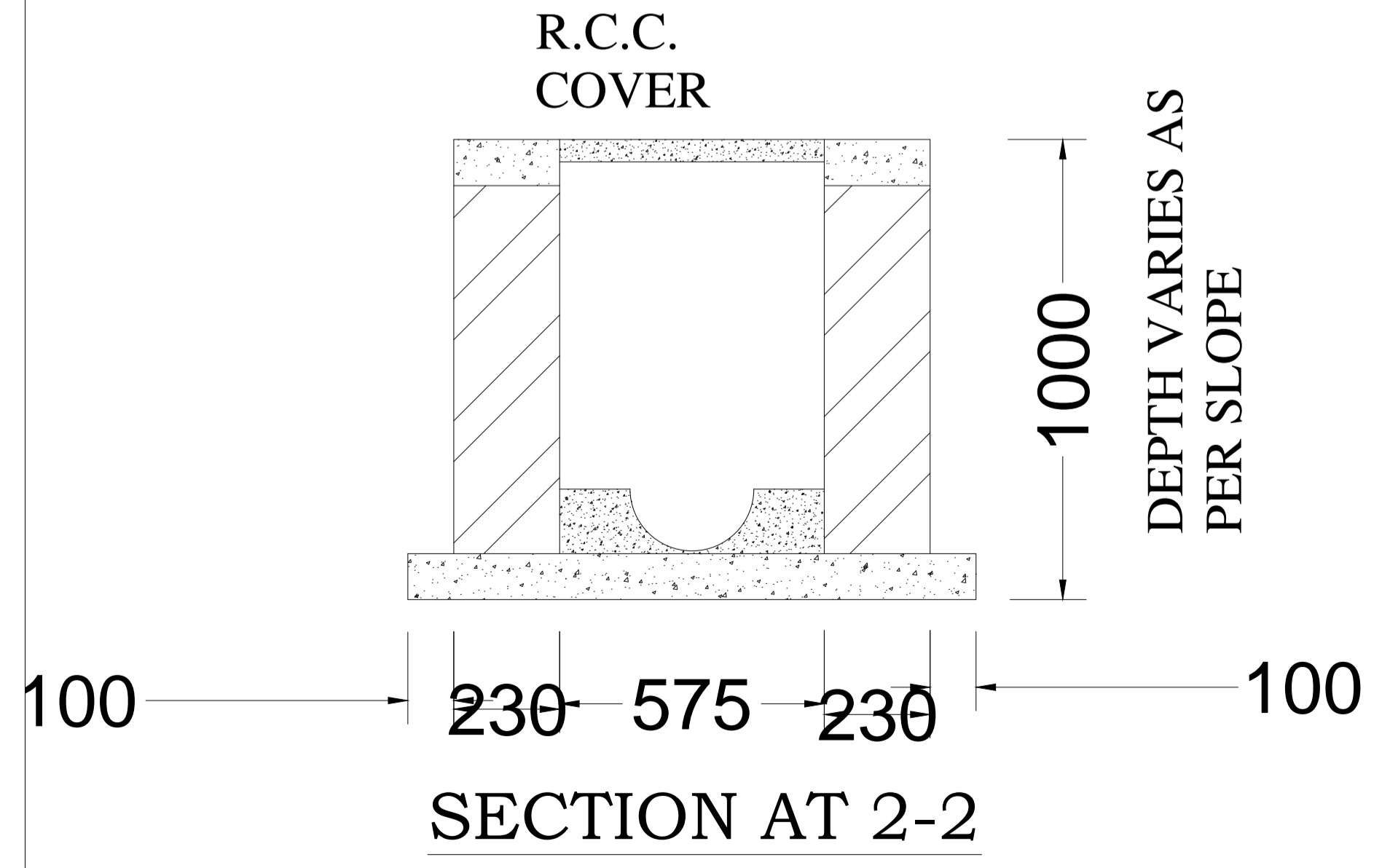


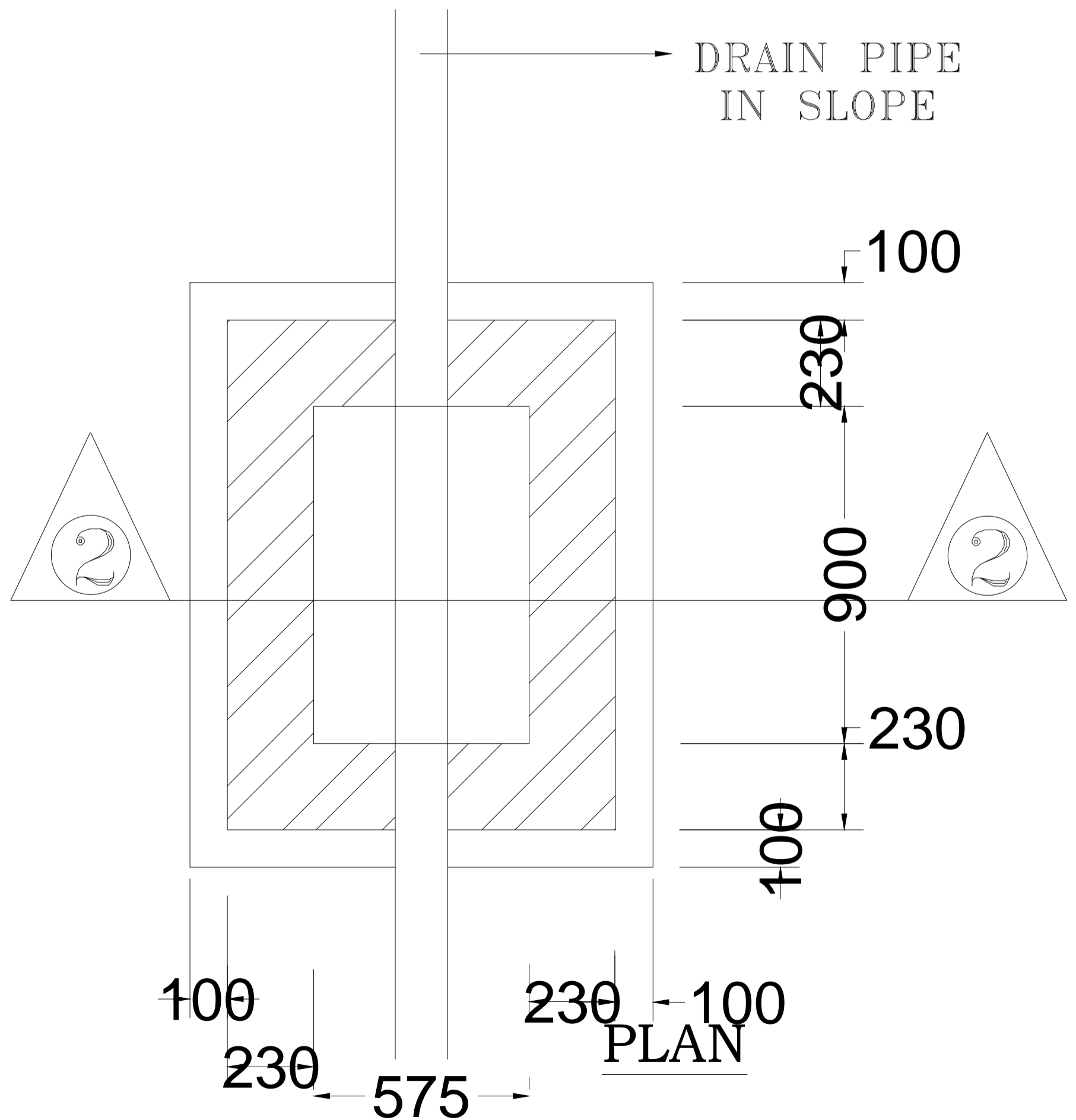
**SECTION -CC**



**PLAN  
DETAIL OF FOUNDATION**



**STRUCTURE DETAIL**



**I.C. DETAILS**