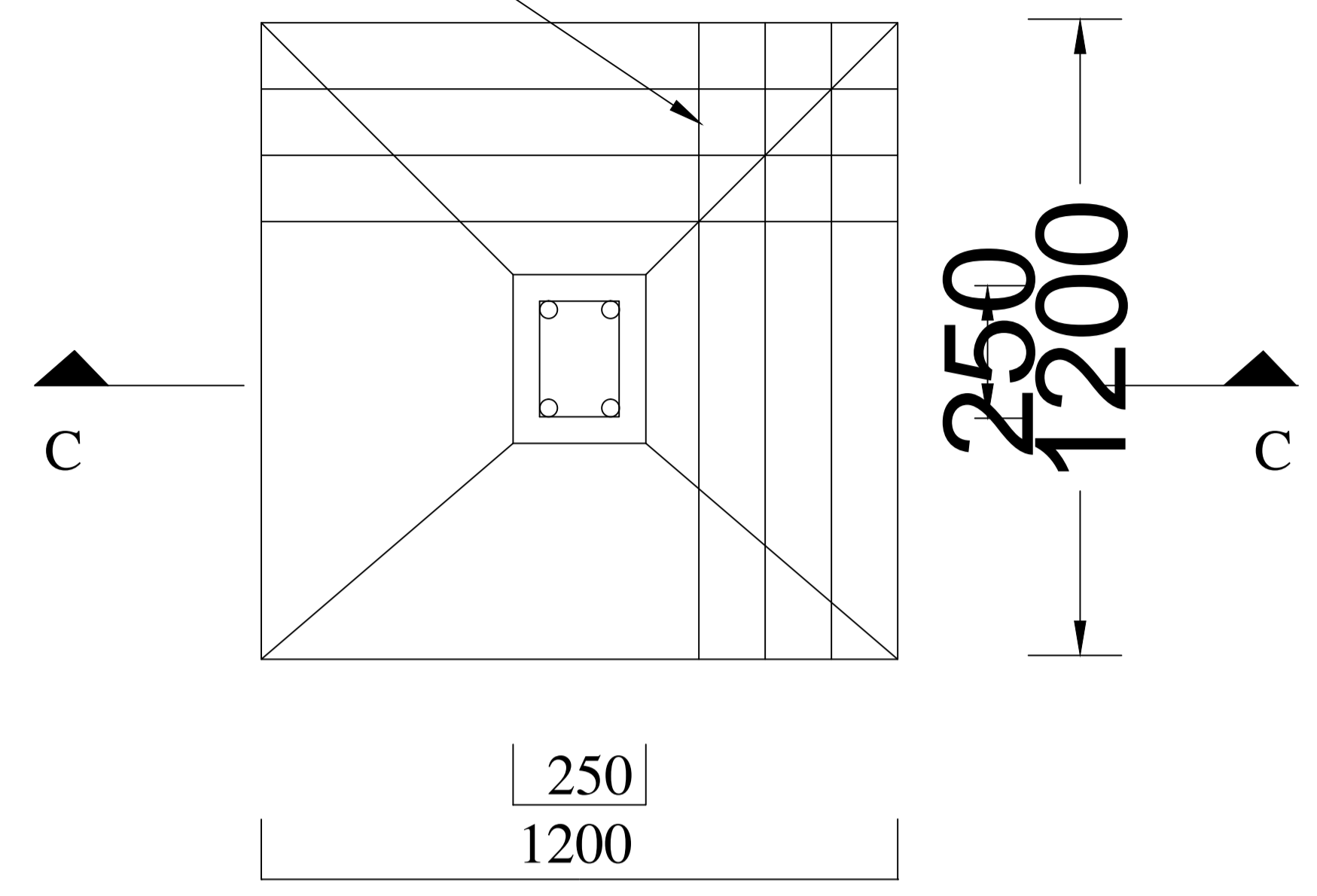
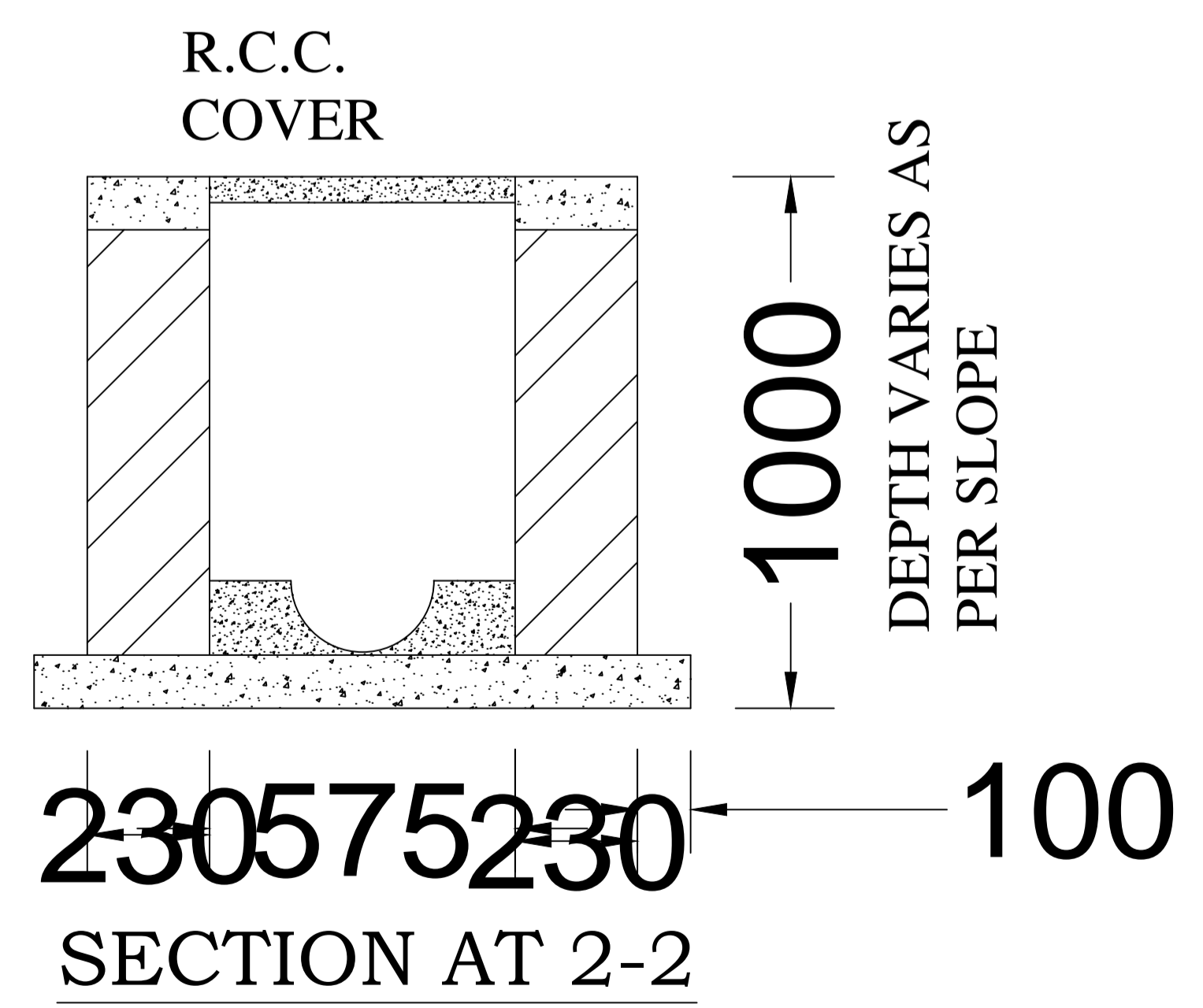


SECTION -CC

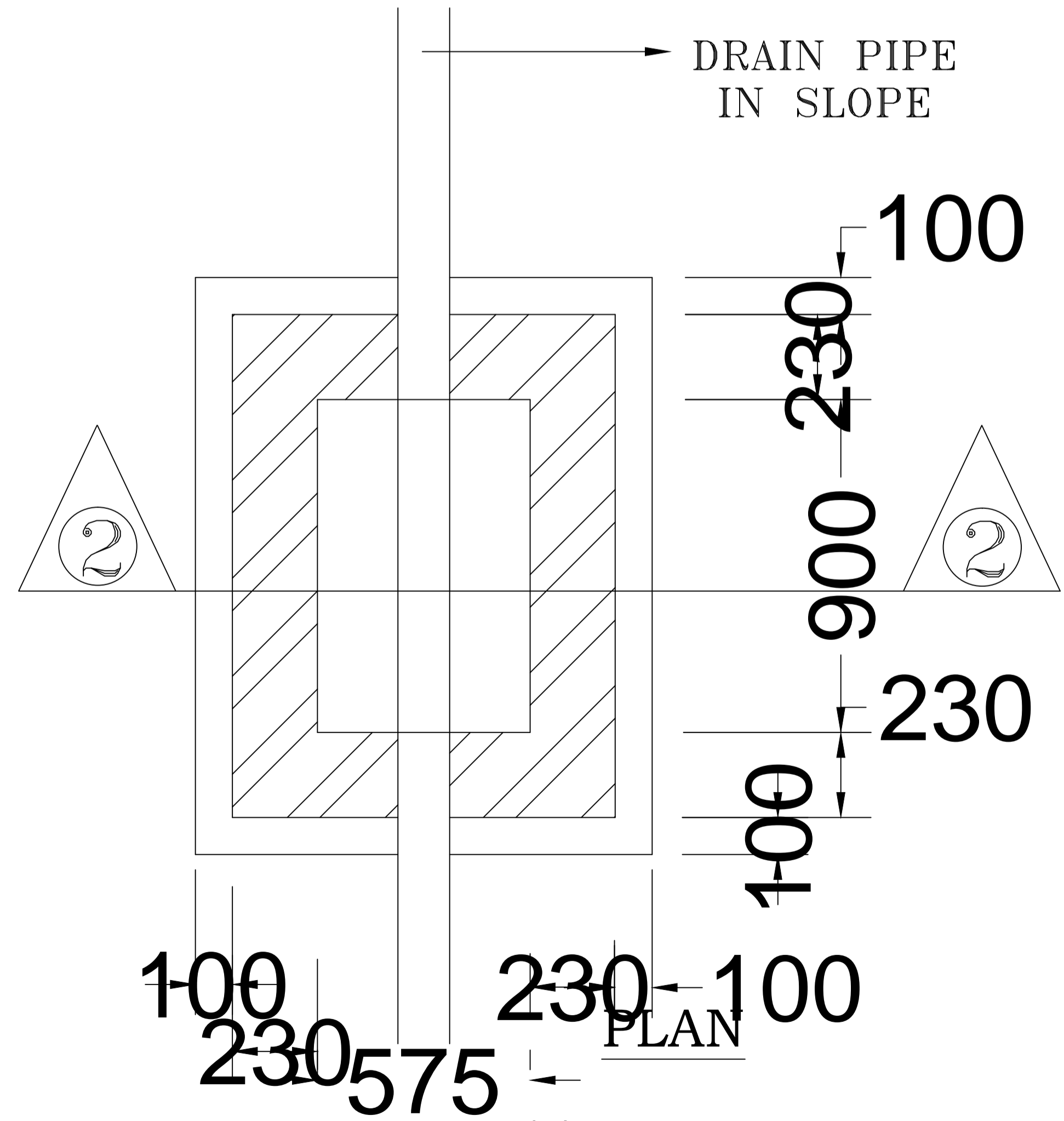
10 TOR @ 150 C/C
BOTH WAY
R.C.C. JALI



PLAN
DETAIL OF FOUNDATION



SECTION AT 2-2



I.C. DETAILS