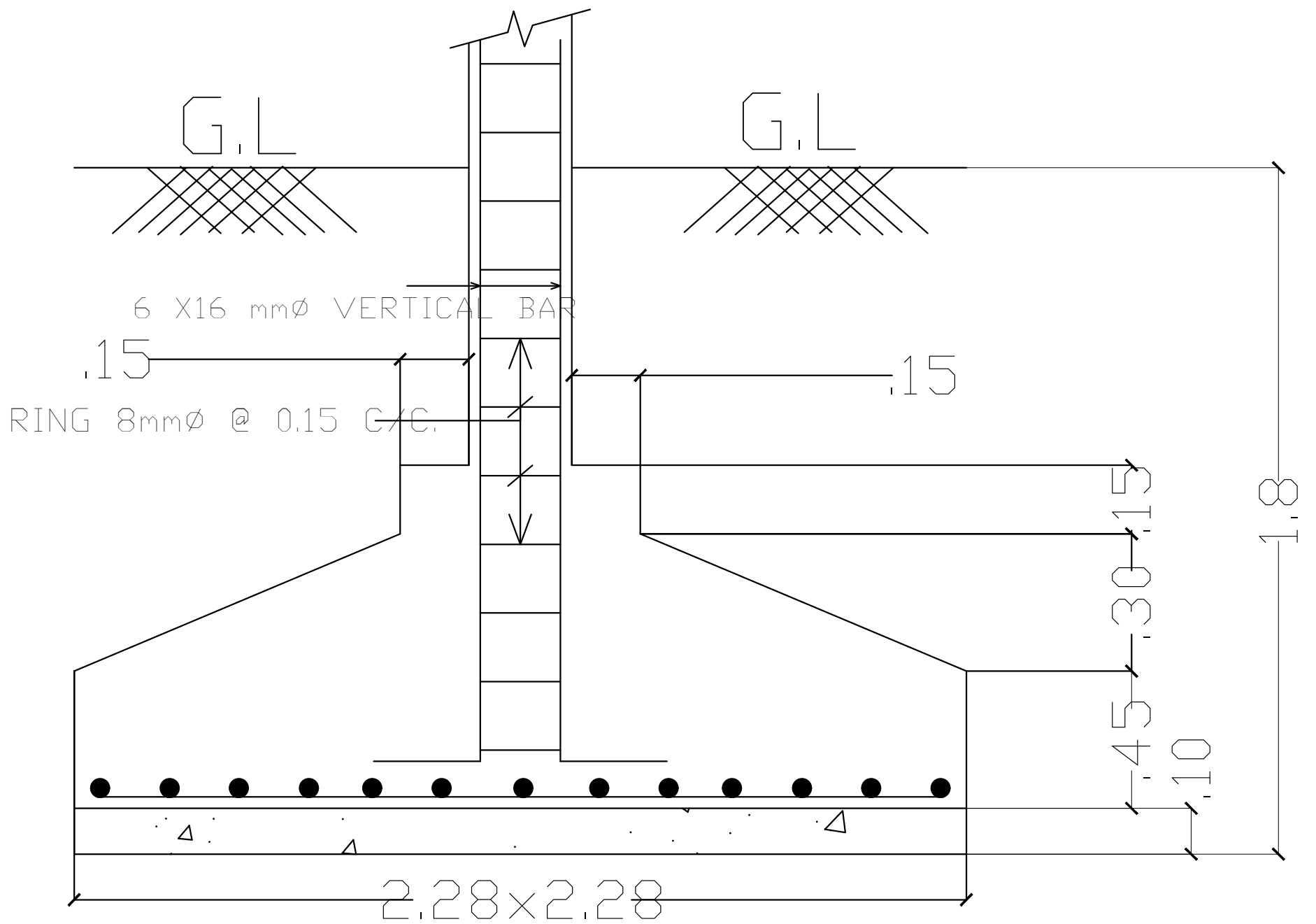


SECTION OF COLUMN



SECTION OF FOOTING