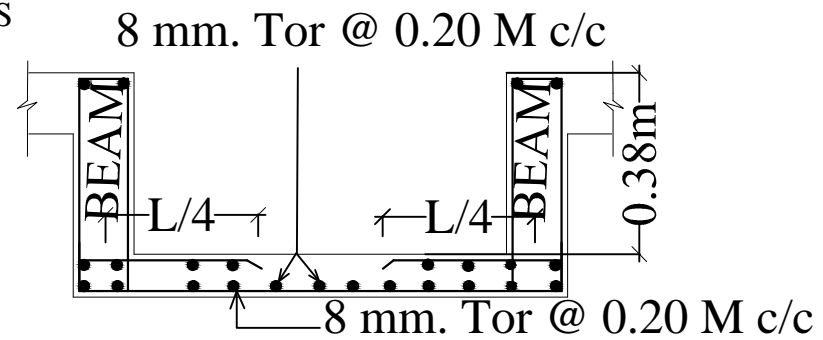
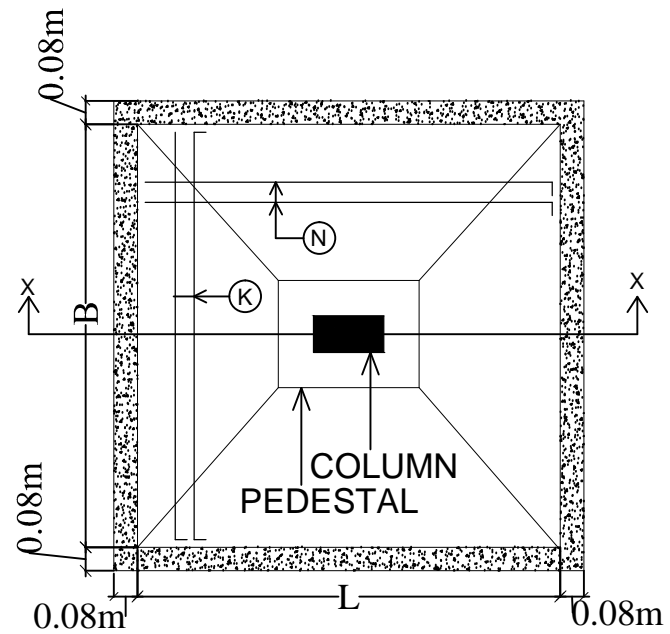


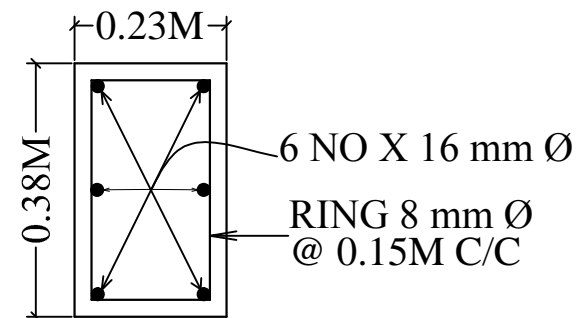
SECTION OF TYPICAL FLOOR BEAM



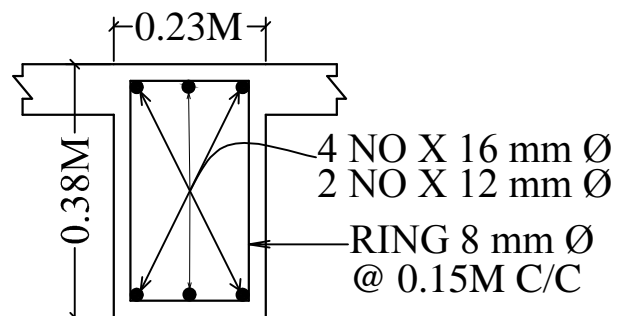
THICKNESS OF SLAB = 0.11m



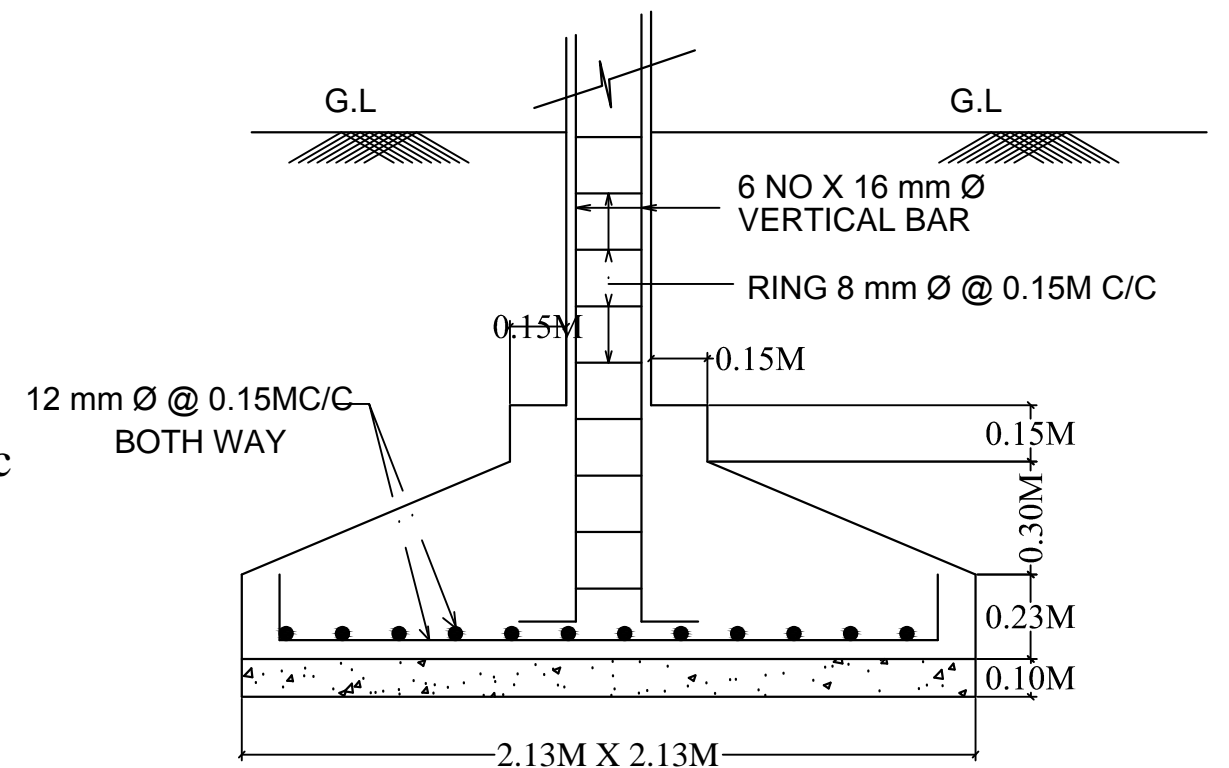
PLAN OF ISOLATED FOOTING



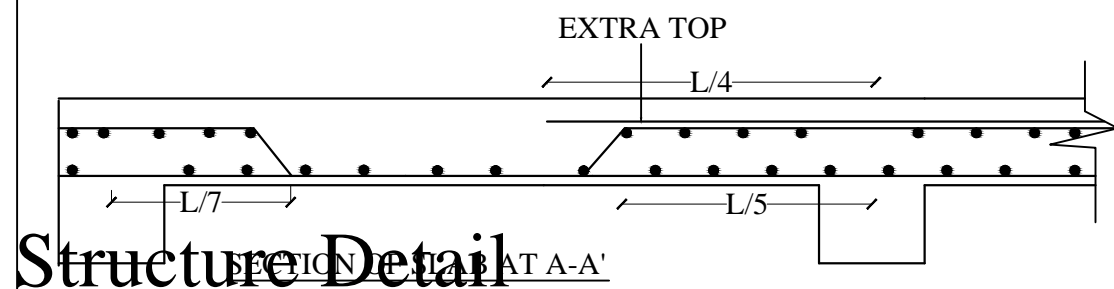
**C.S. OF COLUMN .
SIZE - 0.23M X 0.38M**



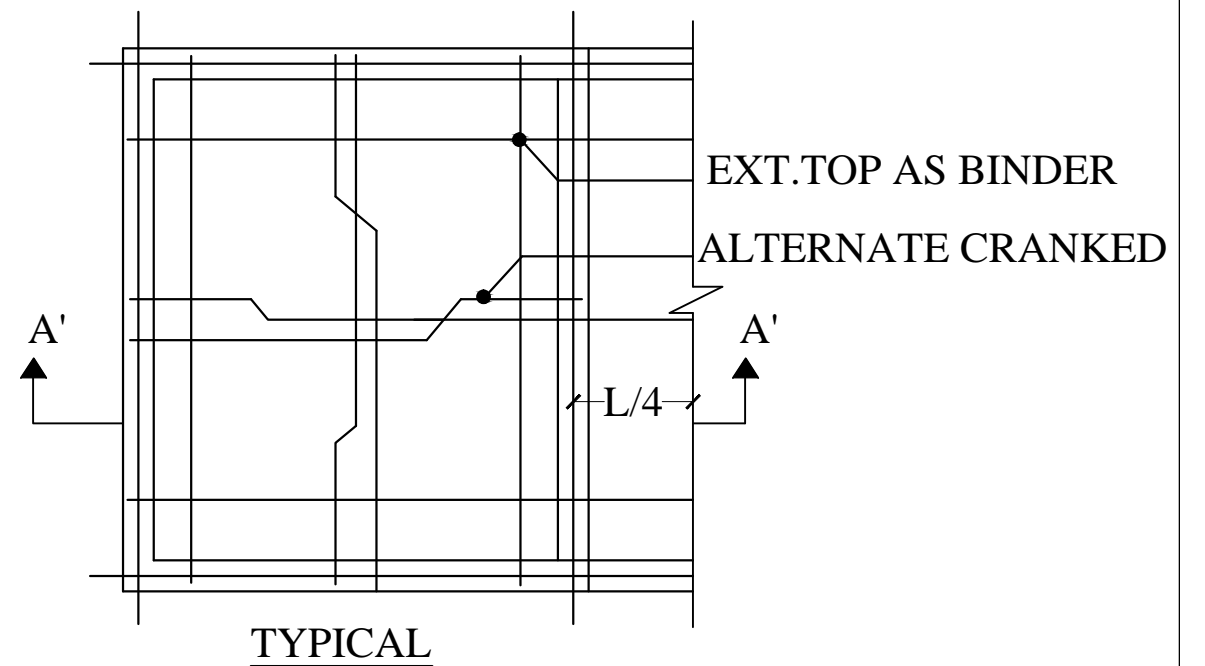
**C.S. OF ROOF BEAM
SIZE - 0.23M X 0.38M**



**SECTION OF FOOTING .
SIZE - 2.13M X 2.13M**



Structure Detail



TYPICAL