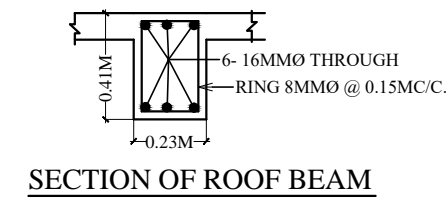
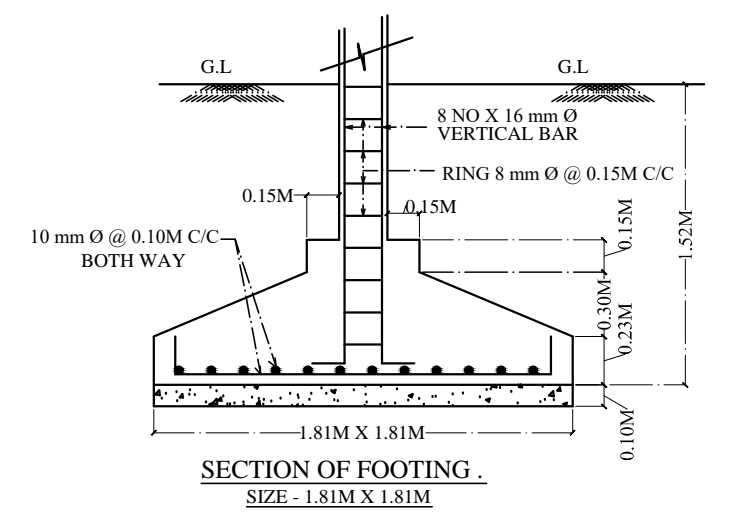
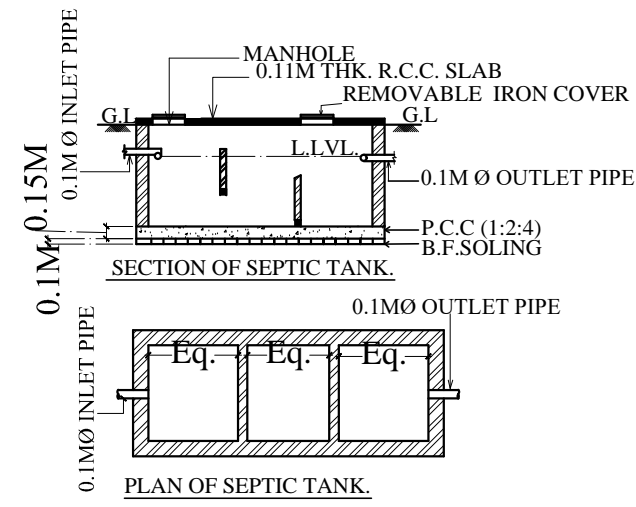
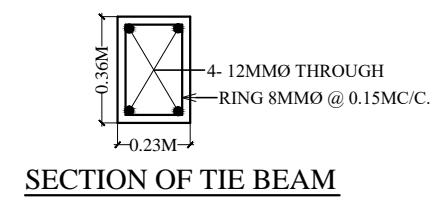


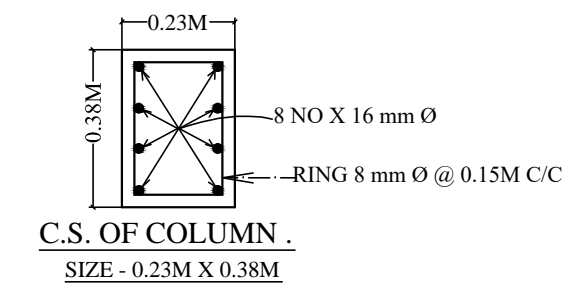
DETAILS OF GROUND WATER RECHARGING PIT WITH SILT TANK



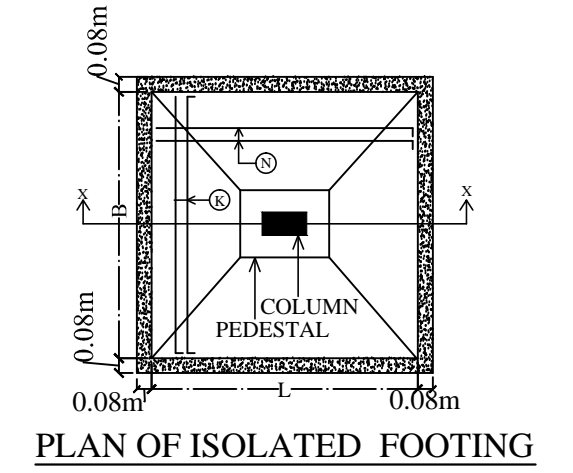
SECTION OF ROOF BEAM



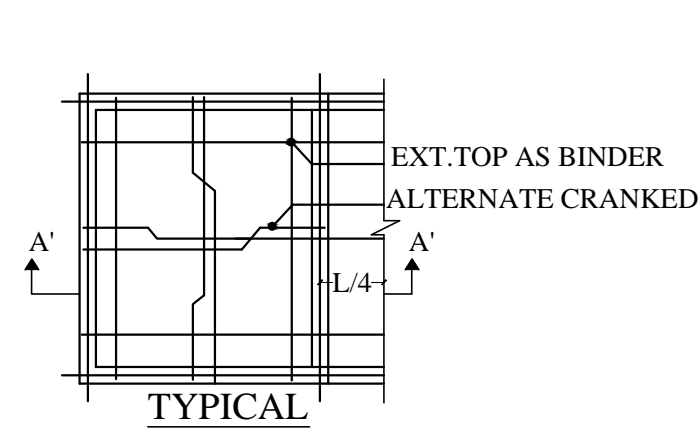
SECTION OF TIE BEAM



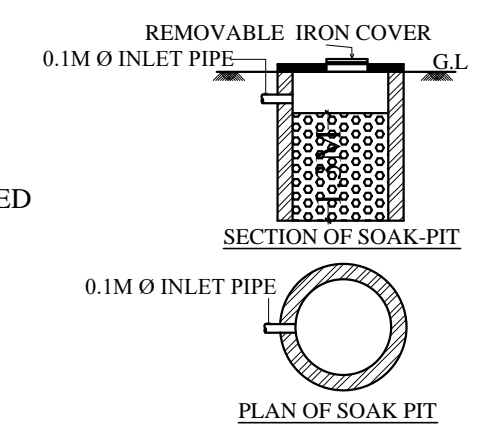
C.S. OF COLUMN . SIZE - 0.23M X 0.38M



PLAN OF ISOLATED FOOTING

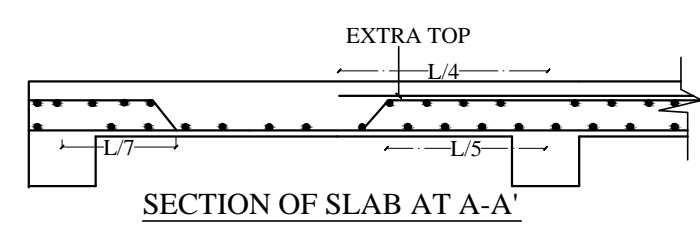


TYPICAL

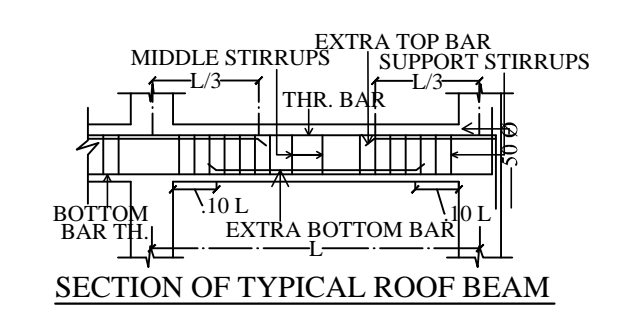


SECTION OF SOAK-PIT

PLAN OF SOAK PIT



SECTION OF SLAB AT A-A'



SECTION OF TYPICAL ROOF BEAM