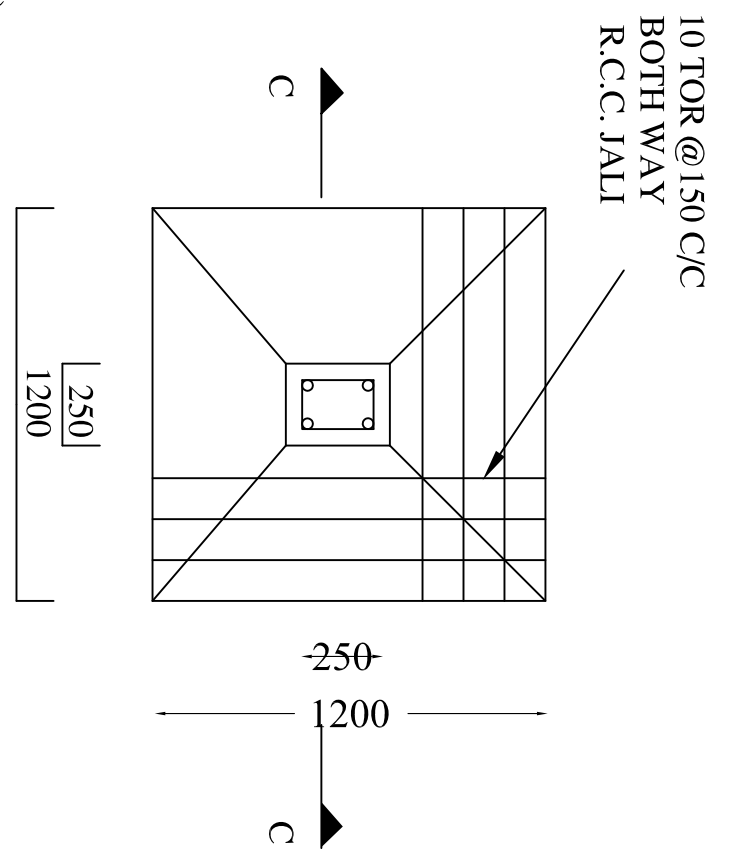
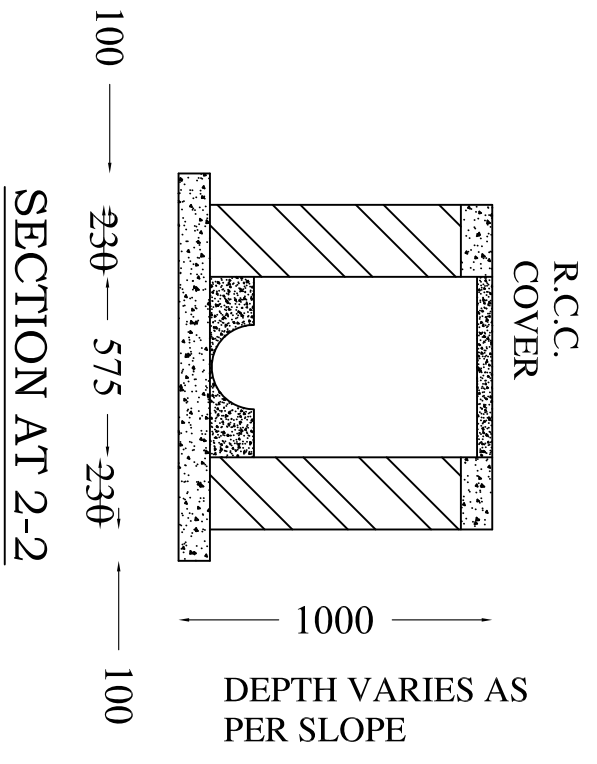


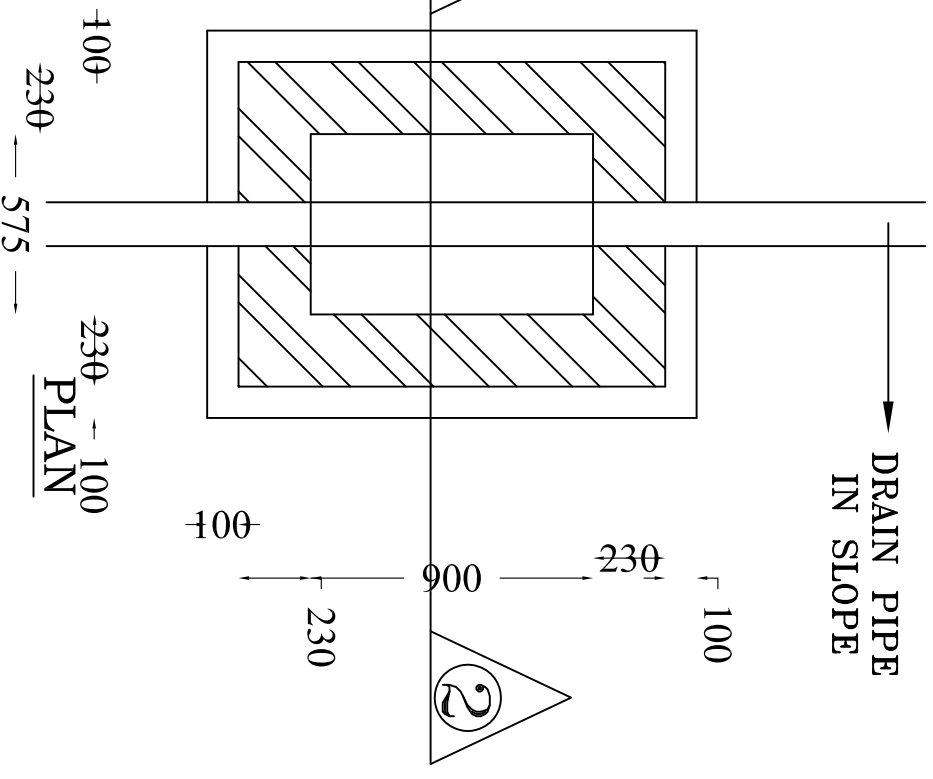
**SECTION -CC**



**DETAIL OF FOUNDATION**



**SECTION AT 2-2**



**I.C. DETAILS**

Structure Detail