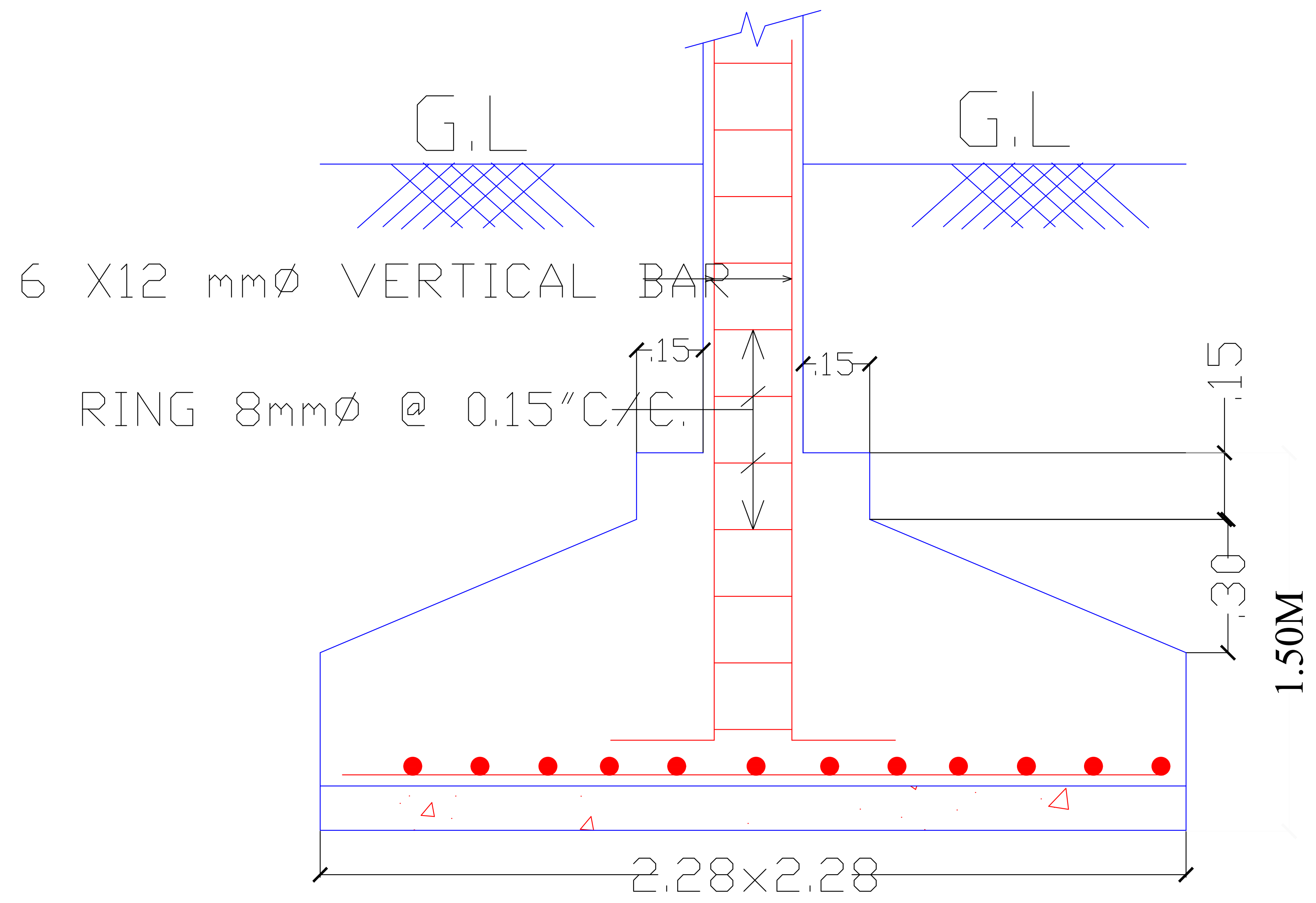


SECTION OF COLUMN. - C1



SECTION OF FOOTING - F1