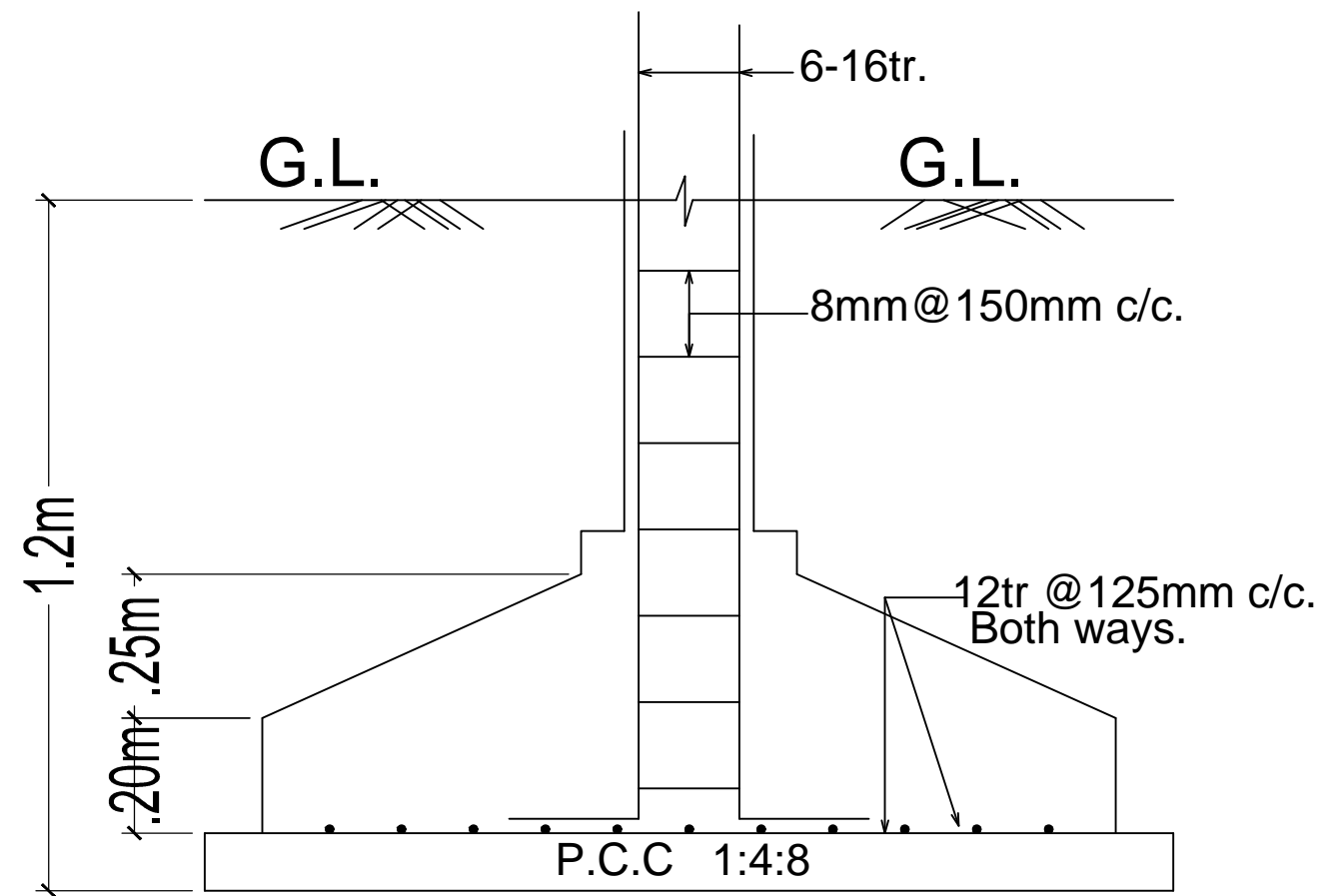


DETAIL OF FOOTING  
 (Not to Scale)



SECTION ON = X-X