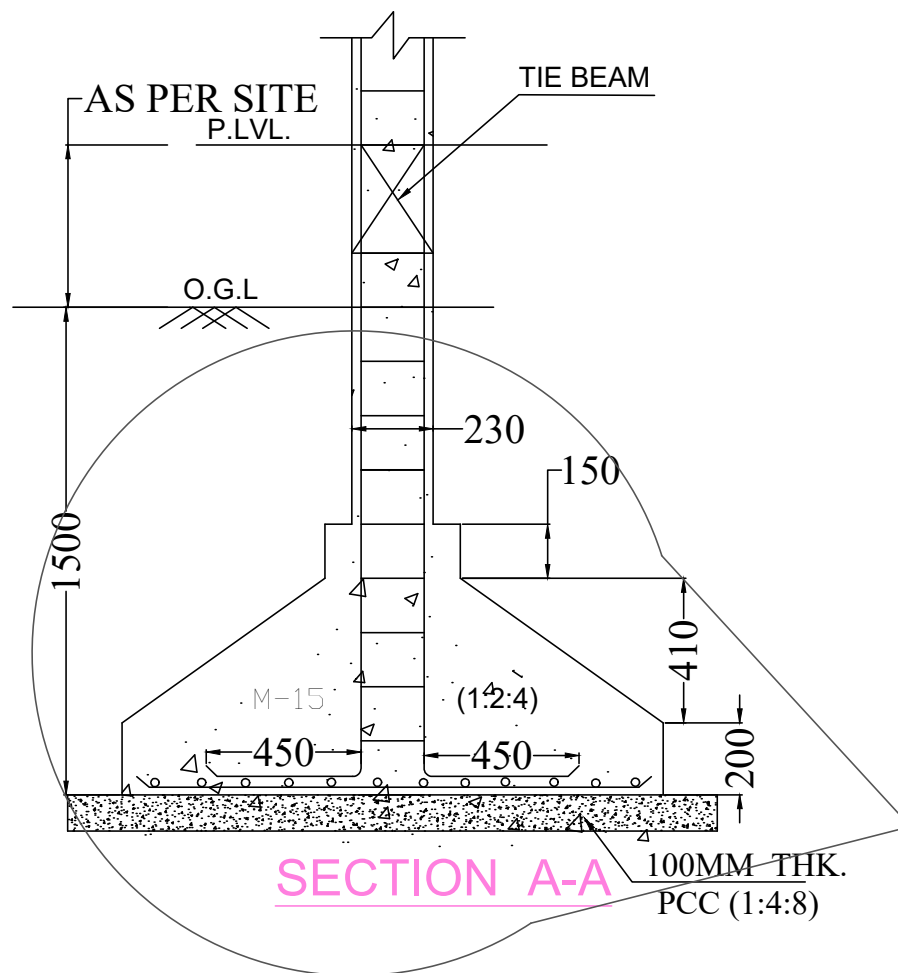
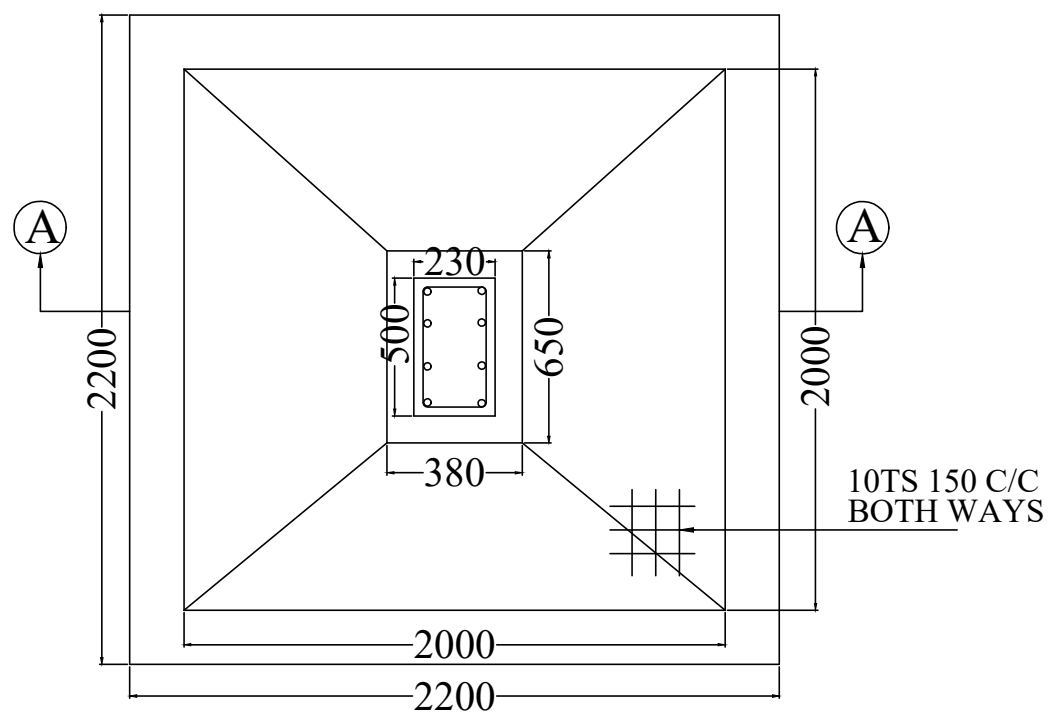


C/S OF COL.



SECTION A-A 100MM THK. PCC (1:4:8)



PLAN

FOOTING PLAN (AS/STRL. DESIGN)  
SCALE N.T.S

# Structure Detail