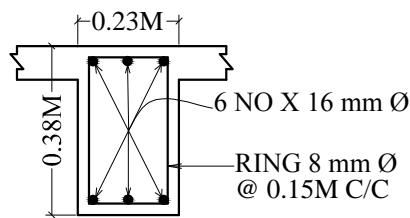
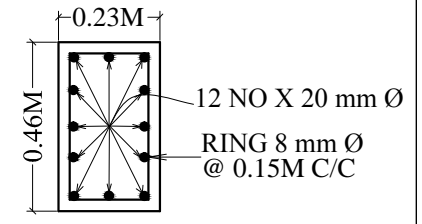


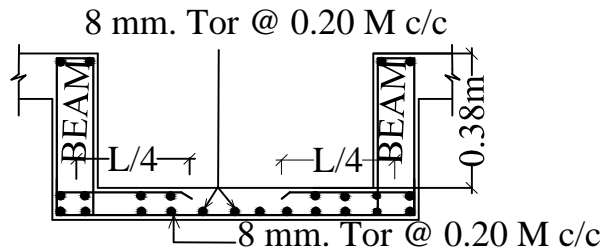
SECTION OF TYPICAL FLOOR BEAM



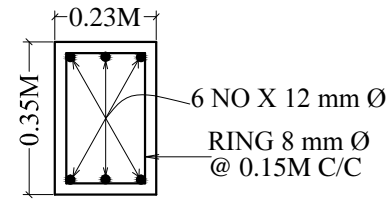
C.S. OF ROOF BEAM
SIZE - 0.23M X 0.38M



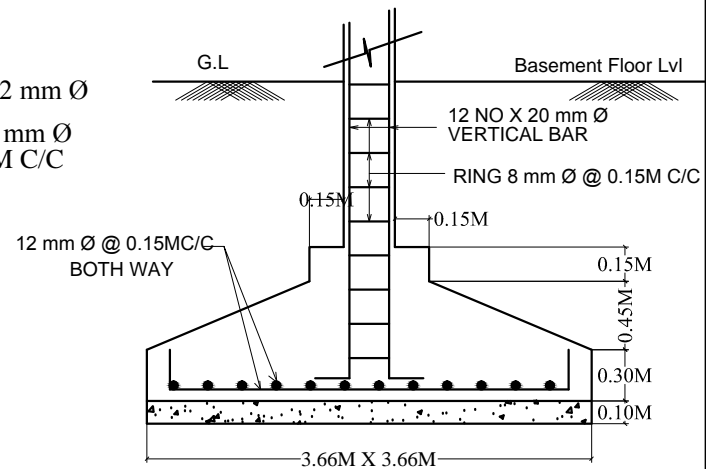
C.S. OF COLUMN
SIZE - 0.23M X 0.46M



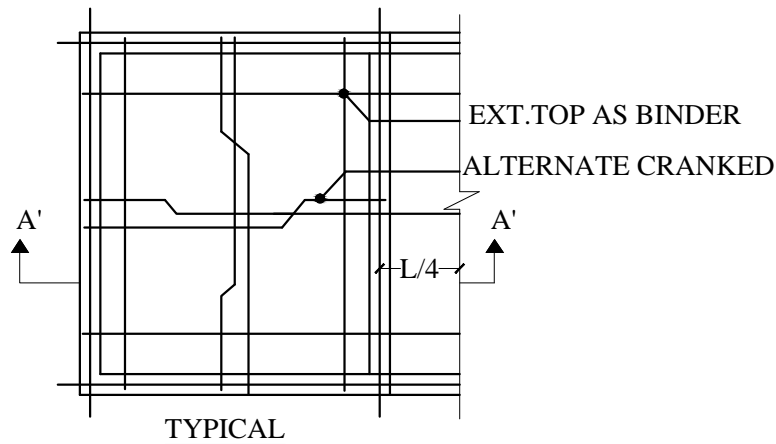
THICKNESS OF SLAB = 0.11m



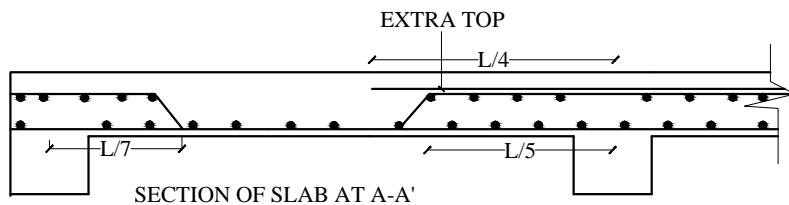
C.S. OF TIE BEAM
SIZE - 0.23M X 0.35M



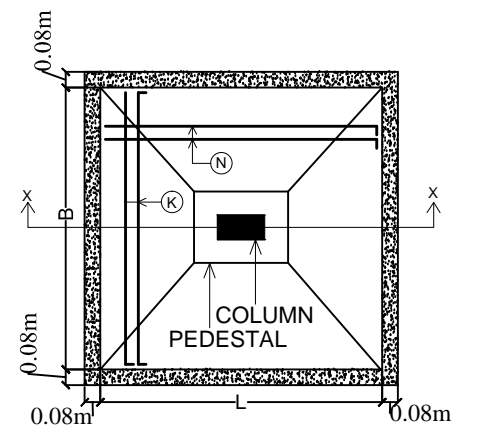
SECTION OF FOOTING
SIZE - 3.66M X 3.66M



TYPICAL



SECTION OF SLAB AT A-A'



PLAN OF ISOLATED FOOTING