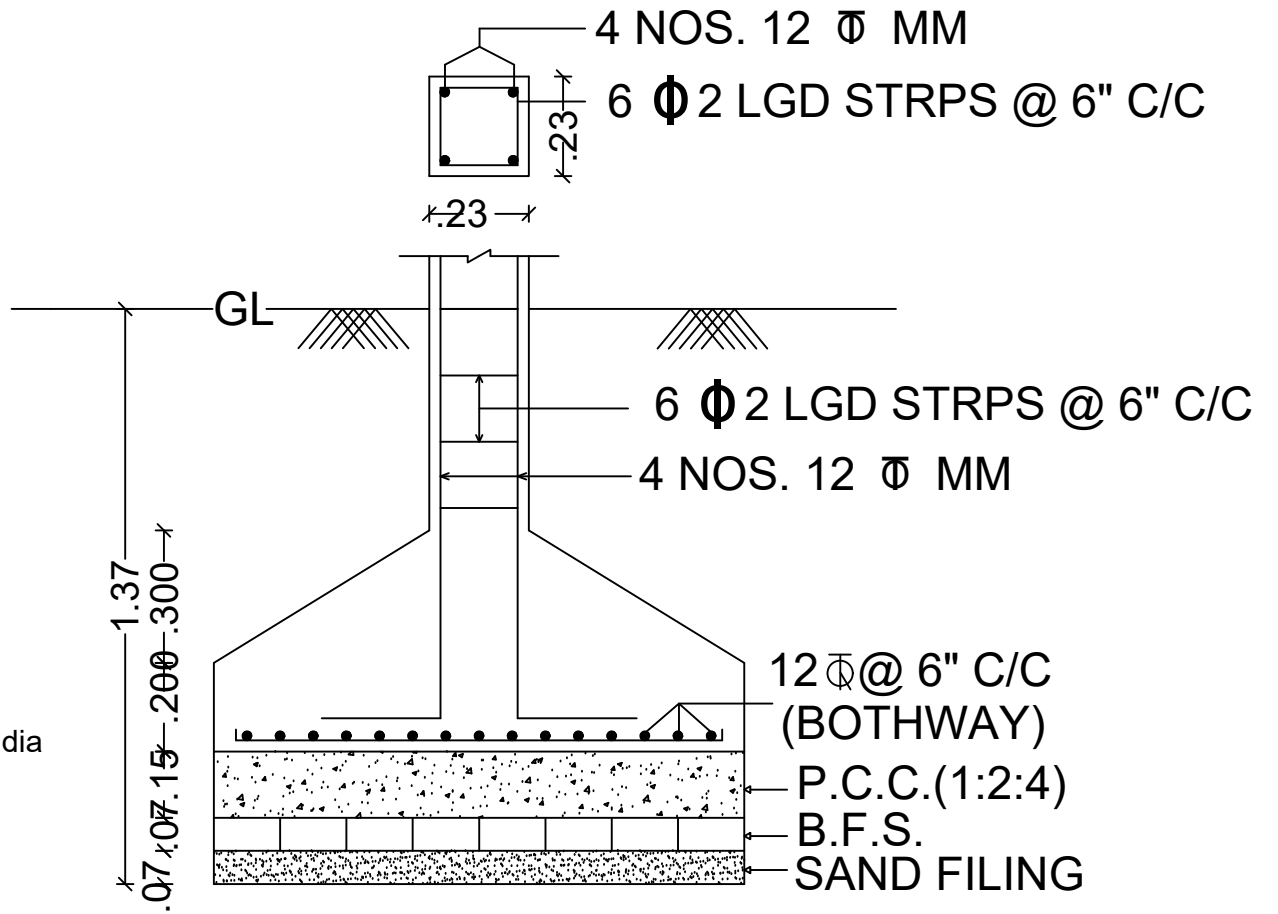


PLAN OF FOUNDATION



SECTION ON C-C'