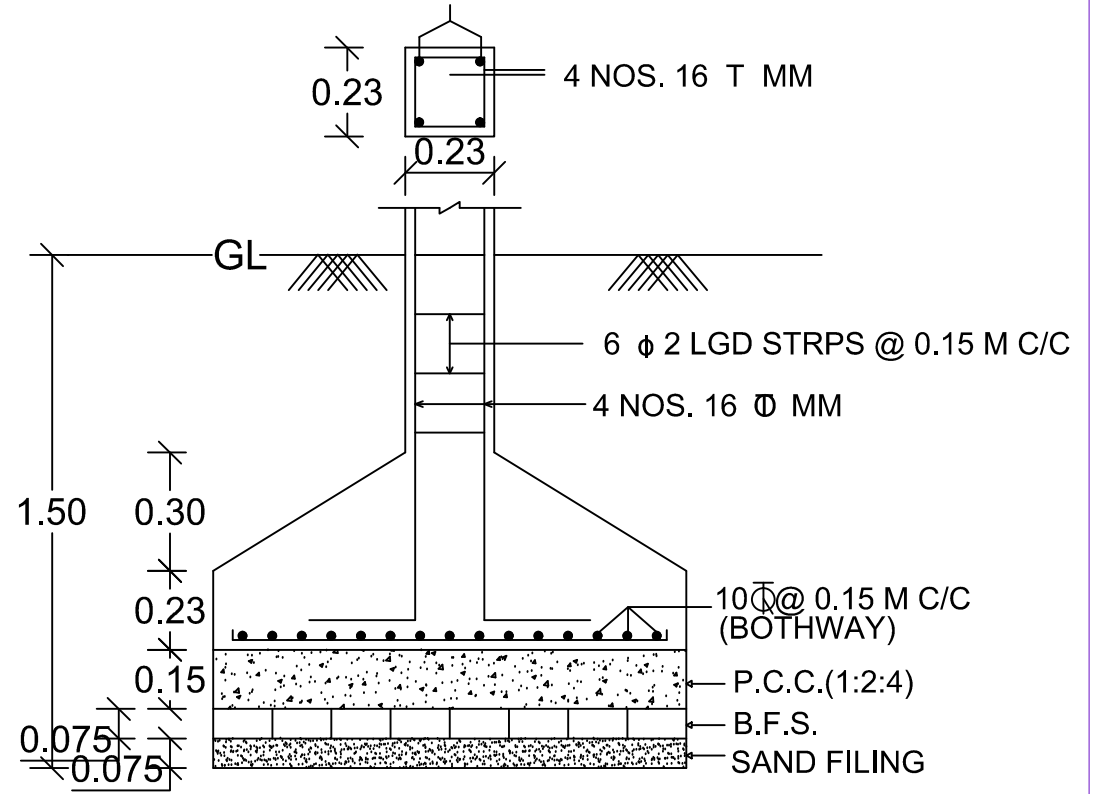


PLAN



DETAILS OF FOUNDATION

SECTION ON C-C'