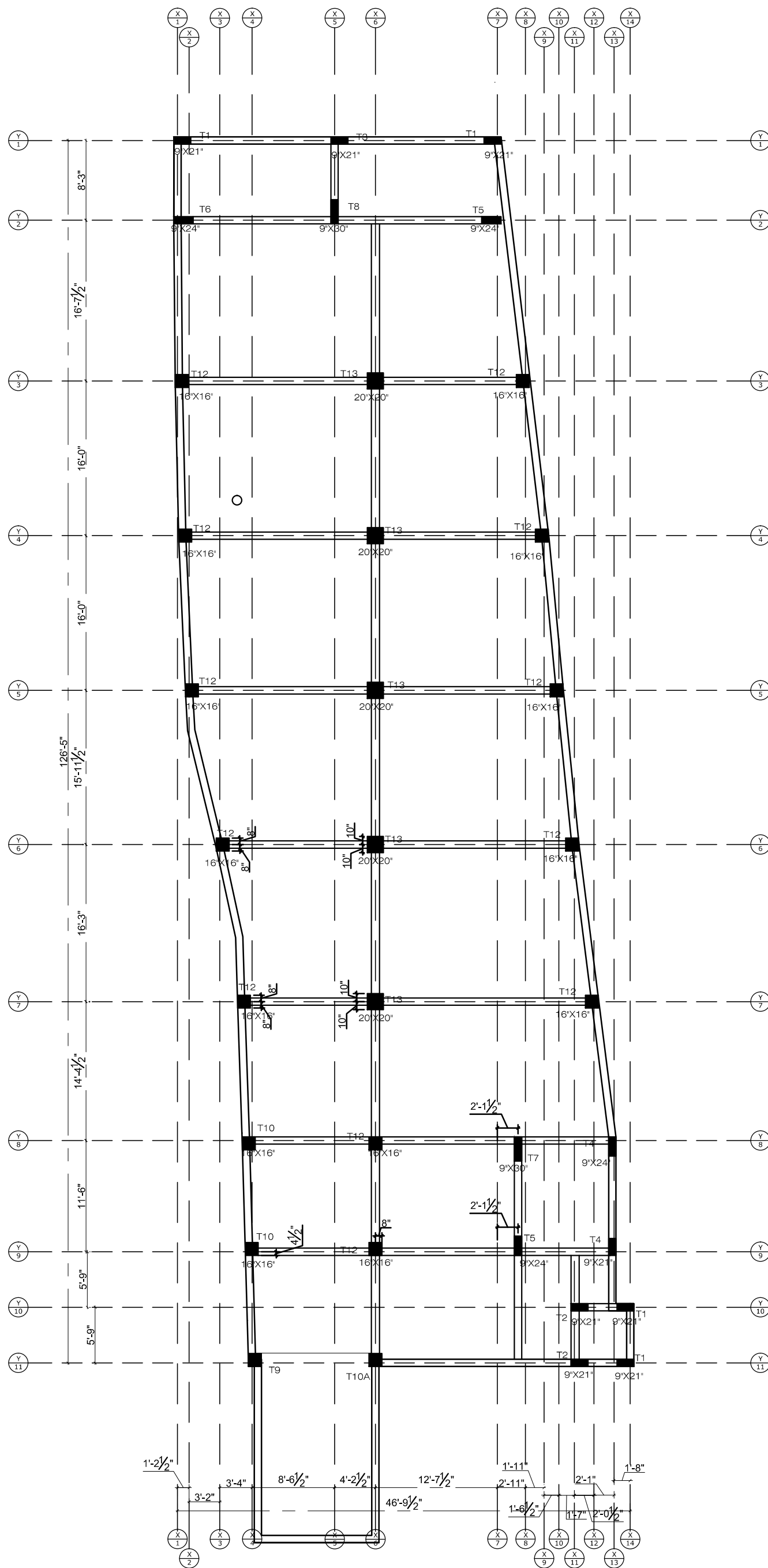


SHEET TITLE :-	DRAWN-BY	STRUCTURE	
FOUNDATION PLAN	TAPAN	<b>CARR &amp; ASSOCIATES</b> RANCHI & PATNA (A GROUP OF SIRENAGA) E-mail:- carrandassociates@yahoo.com	DRAWING NO : STR.1/1 DATE:- 04-04-2018



SHEET TITLE :-

**COLUMN LAYOUT PLAN**

DRAWN-BY

TAPAN

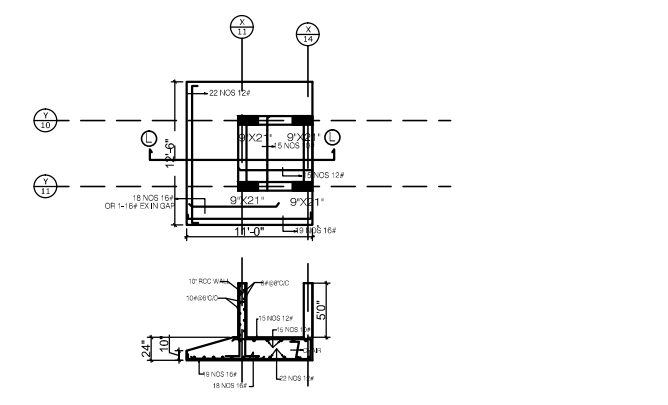
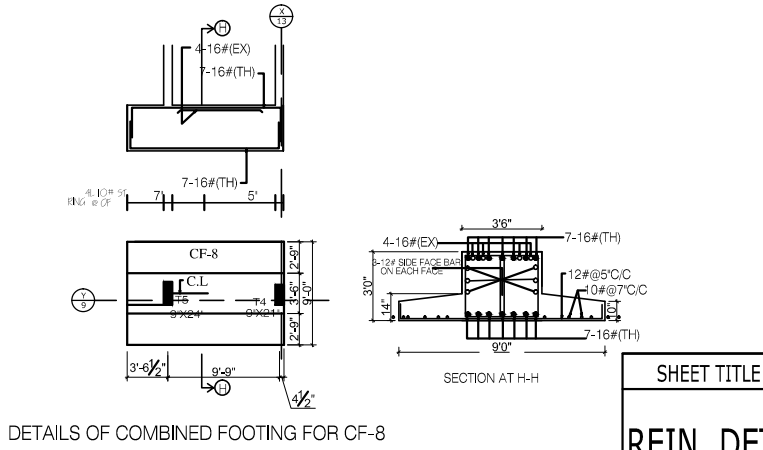
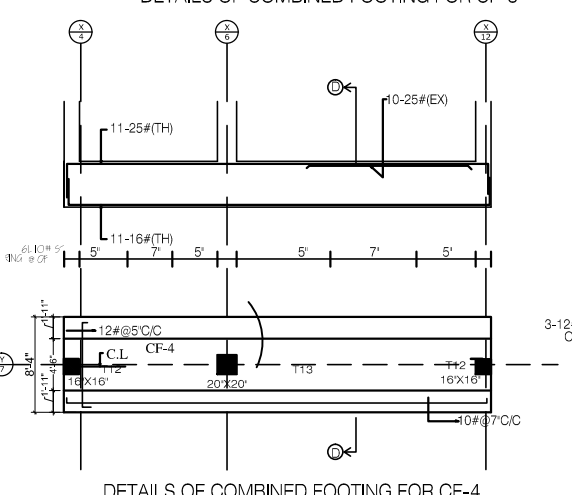
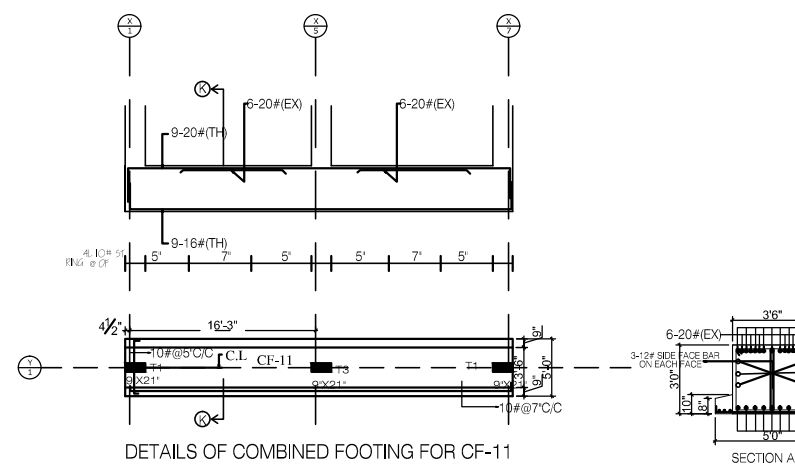
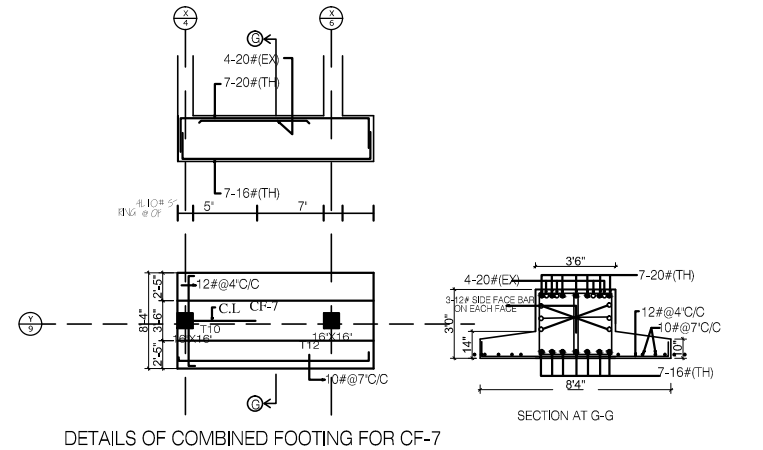
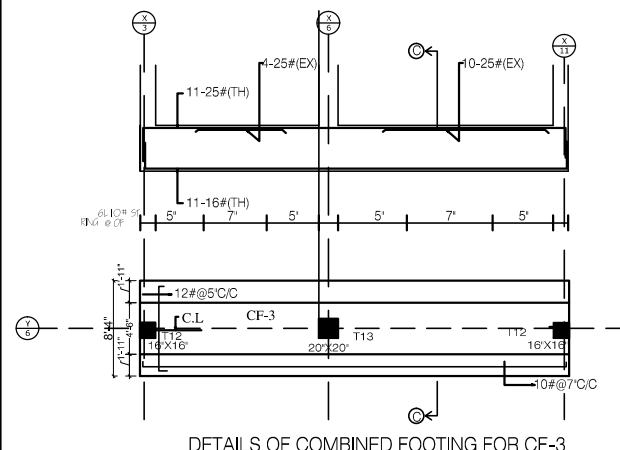
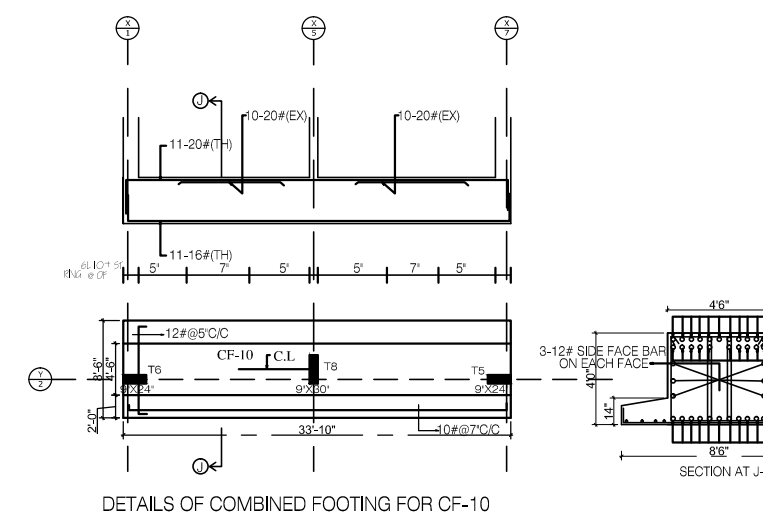
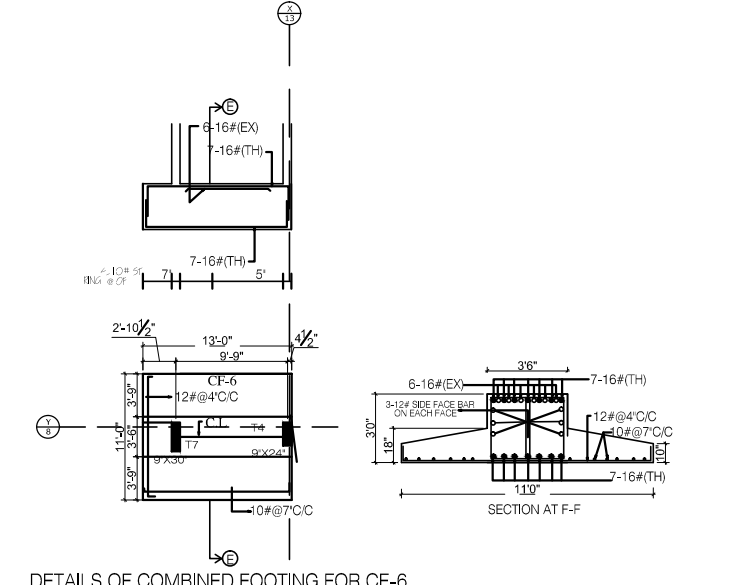
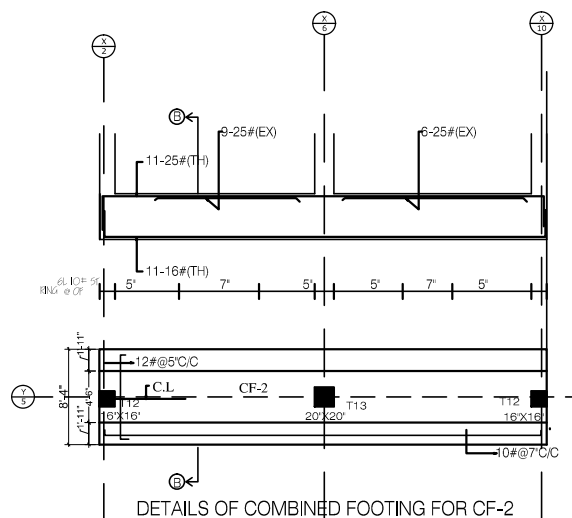
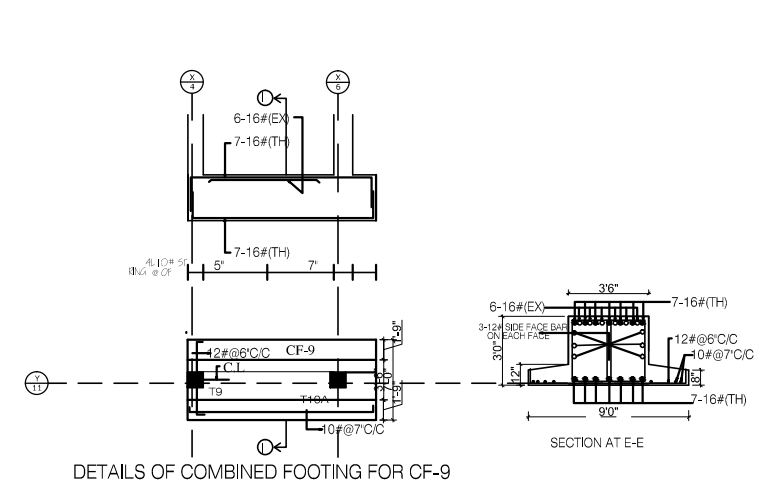
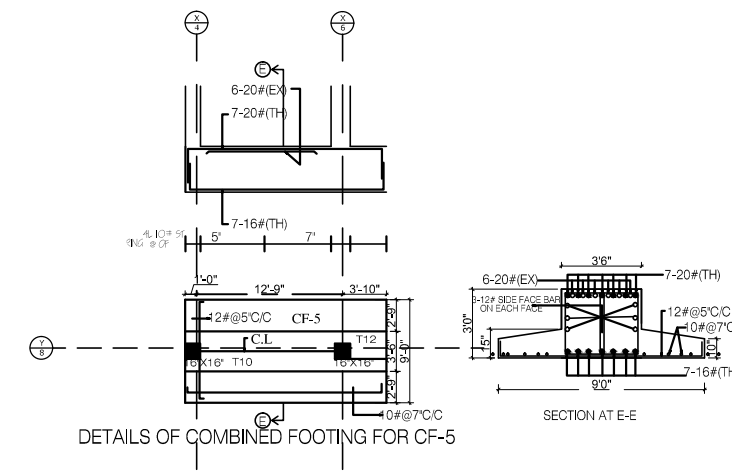
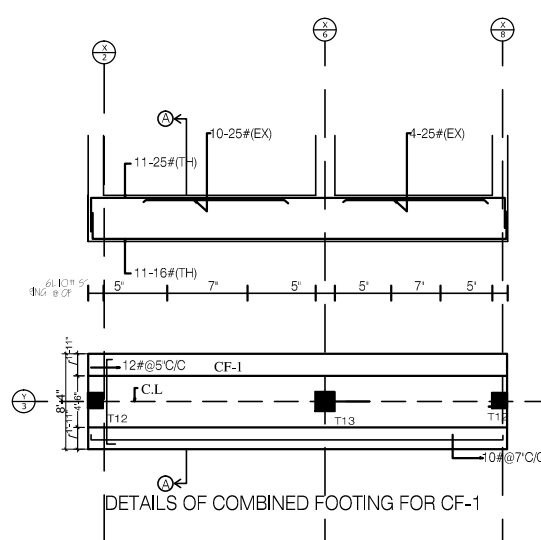
STRUCTURE

**CARR & ASSOCIATES**  
 RANCHI & PATNA  
 (A GROUP OF STRENGGA.)  
 E-mail:- carrandassociates@yahoo.com

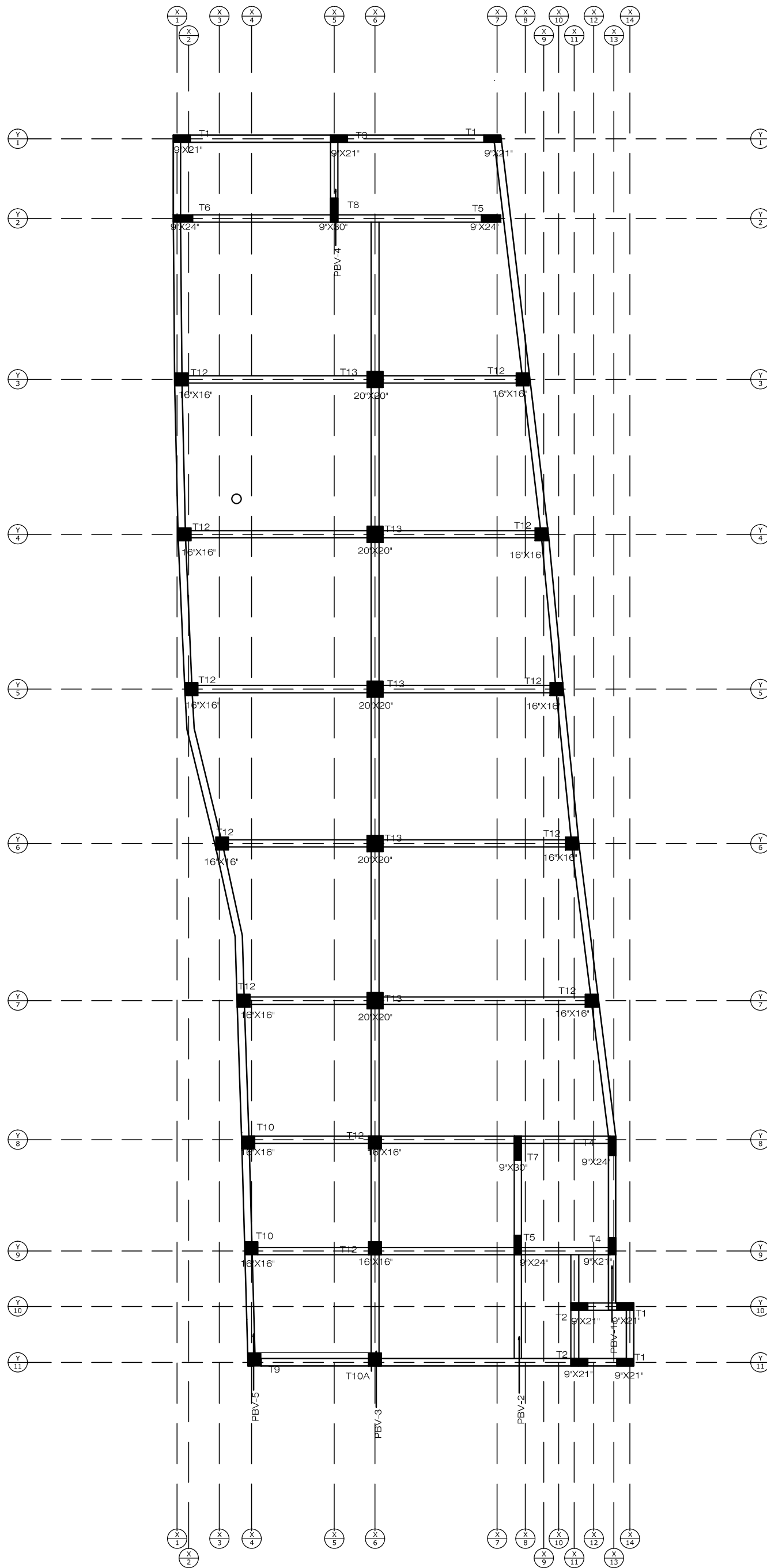
DRAWING NO : STR.1/1  
 DATE:- 04-04-2018

DETAILS OF COLUMN

	COLUMN DETAILS BASE TO GR. SIZE AND REIN.
T1	COL-9"x21" BARS-10-16# RINGS-8 DIA 5" TO 8" C/C
T2	COL-9"x21" BARS-12-16# RINGS-8 DIA 5" TO 8" C/C
T3	COL-9"x21" BARS-4-20#+ 8-16# RINGS-8 DIA 5" TO 8" C/C
T4	COL-9"x24" BARS-4-20#+ 8-16# RINGS-8 DIA 5" TO 8" C/C
T5	COL-9"x24" BARS-6-20#+ 6-16# RINGS-8 DIA 5" TO 8" C/C
T6	COL-9"x24" BARS-12-20# RINGS-8 DIA 5" TO 8" C/C
T7	COL-9"x30" BARS-12-20# RINGS-8 DIA 5" TO 8" C/C
T8	COL-9"x30" BARS-16-20# RINGS-8 DIA 5" TO 8" C/C
T9	COL-16"x16" BARS-10-16# RINGS-8 DIA 5" TO 8" C/C
T10	COL-16"x16" BARS-12-16# RINGS-8 DIA 5" TO 8" C/C
T10A	COL-16"x16" BARS-4-20#+ 8-16# RINGS-8 DIA 5" TO 8" C/C
T11	COL-16"x16" BARS-12-20# RINGS-8 DIA 5" TO 8" C/C
T12	COL-16"x16" BARS-16-20# RINGS-8 DIA 5" TO 8" C/C
T13	COL-20"x20" BARS-16-20# RINGS-8 DIA 5" TO 8" C/C



SHEET TITLE :-	DRAWN-BY	STRUCTURE
REIN. DETAILS OF FOUNDATION PLAN	TAPAN	CARR & ASSOCIATES RANCHI & PATNA (A GROUP OF STRENGG) E-mail:- carrandassociates@yahoo.com
		DRAWING NO : STR.1/1 DATE:- 04-04-2018



SHEET TITLE :-

MARKING PLAN OF PLINTH BEAM

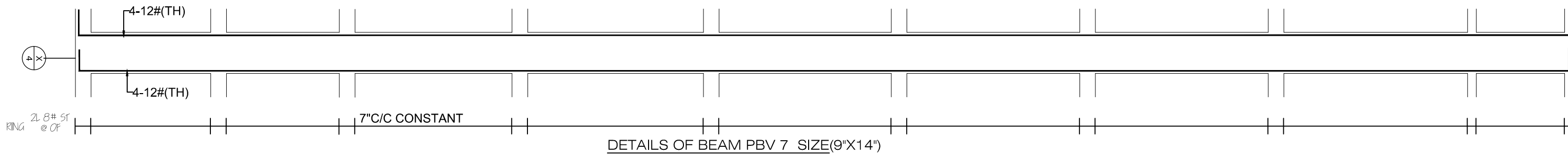
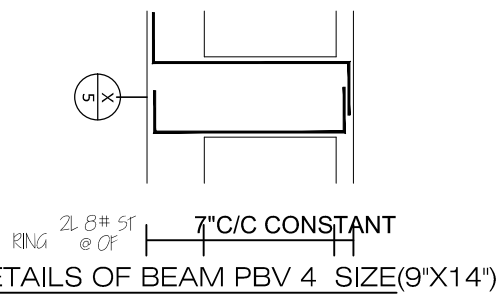
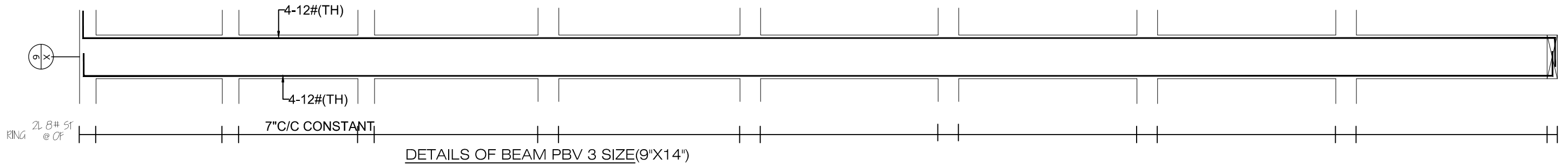
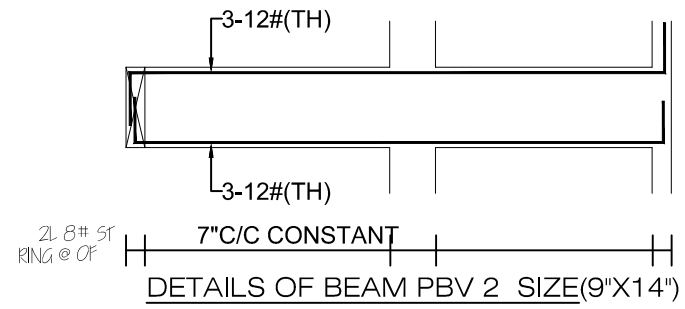
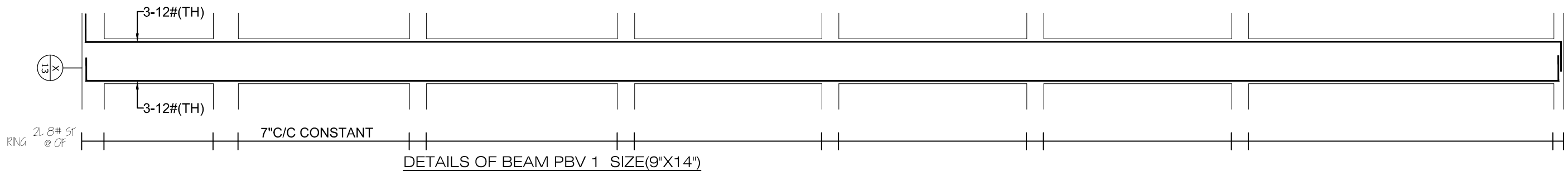
DRAWN-BY

TAPAN

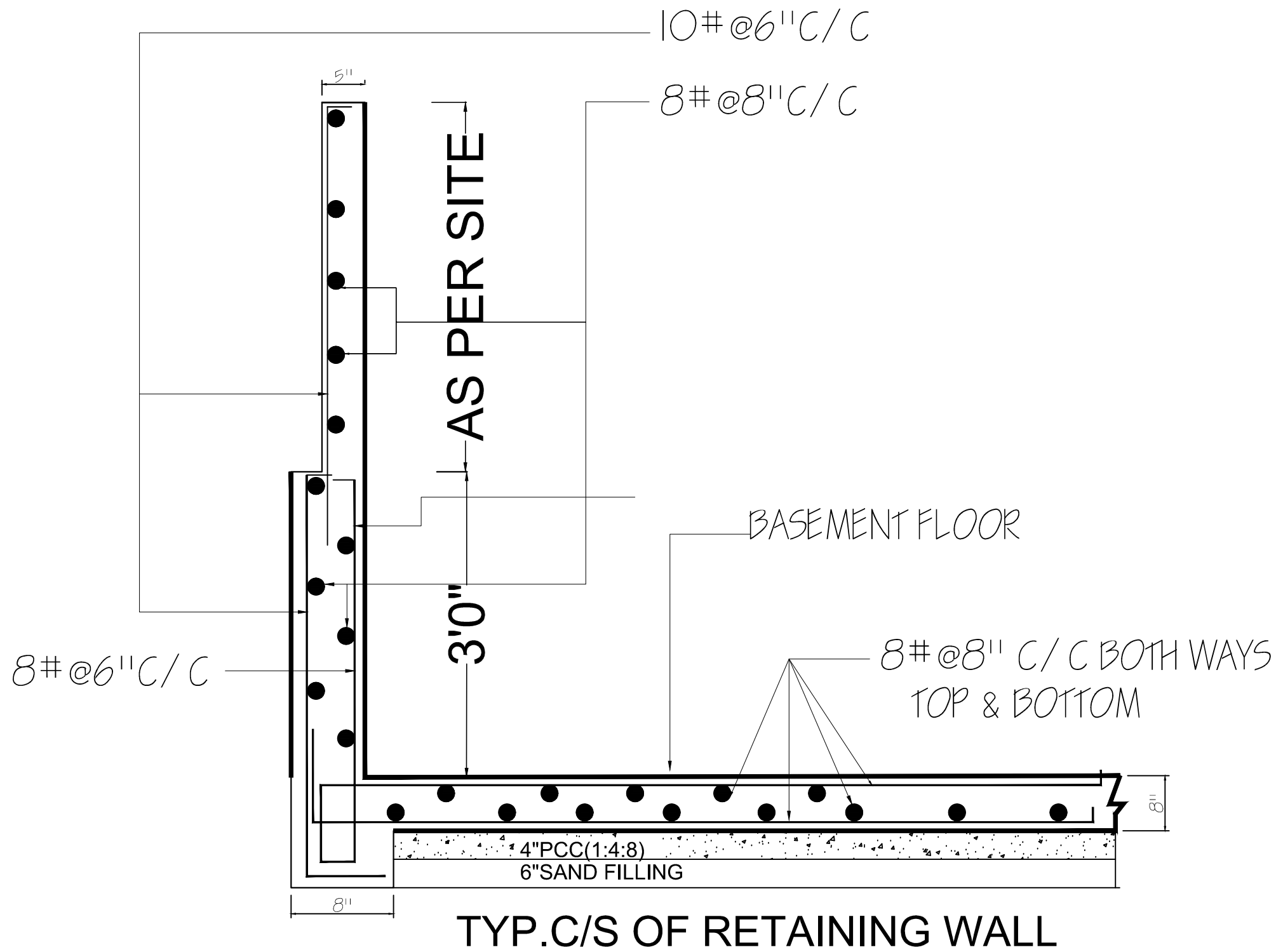
STRUCTURE

**CARR & ASSOCIATES**  
 RANCHI & PATNA  
 (A GROUP OF SIRENCA)  
 E-mail:- carrandassociates@yahoo.com

DRAWING NO : STR.1/1  
 DATE:- 04-04-2018



SHEET TITLE :-	DRAWN-BY	STRUCTURE	DRAWING NO : STR.1/1 DATE:- 04-04-2018
REIN. DETAILS OF PLINTH BEAM	TAPAN	<b>CARR &amp; ASSOCIATES</b> RANCHI & PATNA (A GROUP OF STRENGTH) E-mail:- carrandassociates@yahoo.com	



SHEET TITLE :-

**RETAINING WALL**

DRAWN-BY

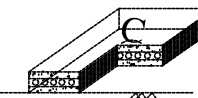
**TAPAN**

STRUCTURE

**CARR & ASSOCIATES**

RANCHI & PATNA  
(A GROUP OF STRENGG.)

E-mail:- carrandassociates@yahoo.com



DRAWING NO : STR.1/1  
DATE:- 04-04-2018