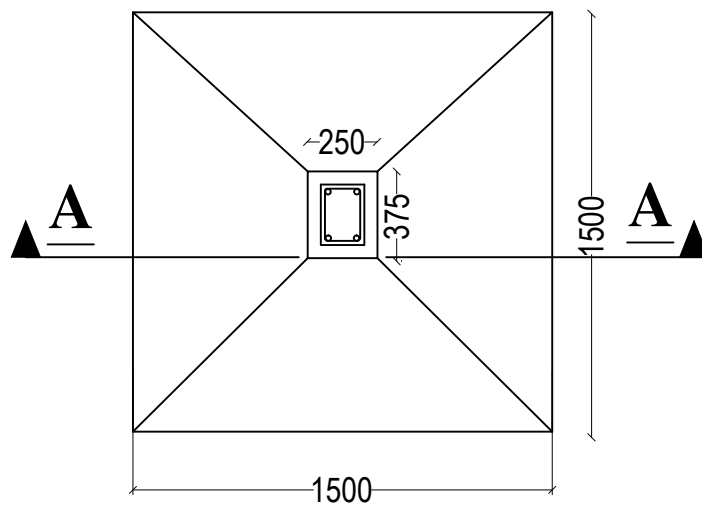


**SECTION A-A**



**DETAIL OF FOUNDATION**

SCALE - 1:50

