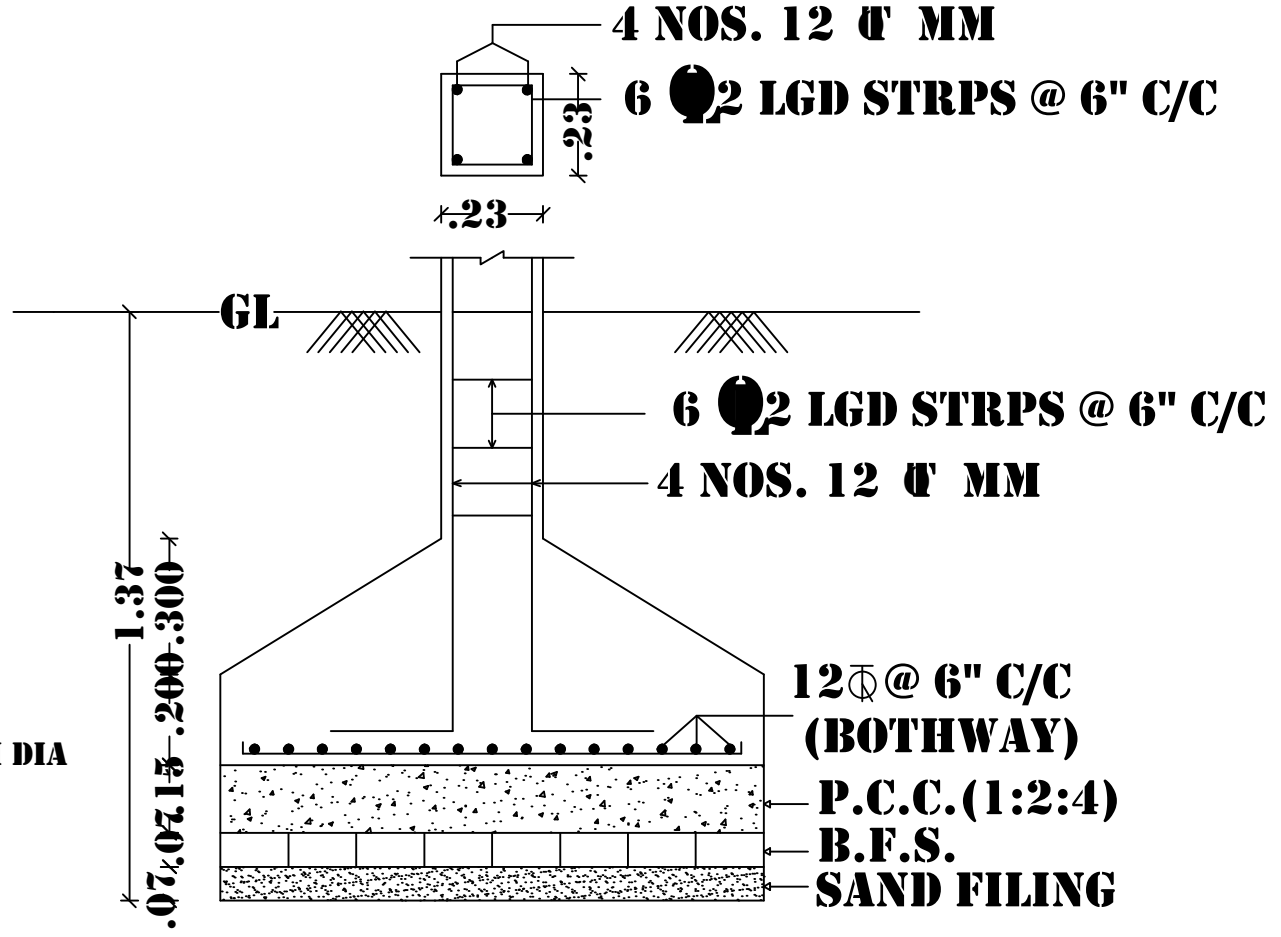


**PLAN OF FOUNDATION**



**SECTION ON C-C'**