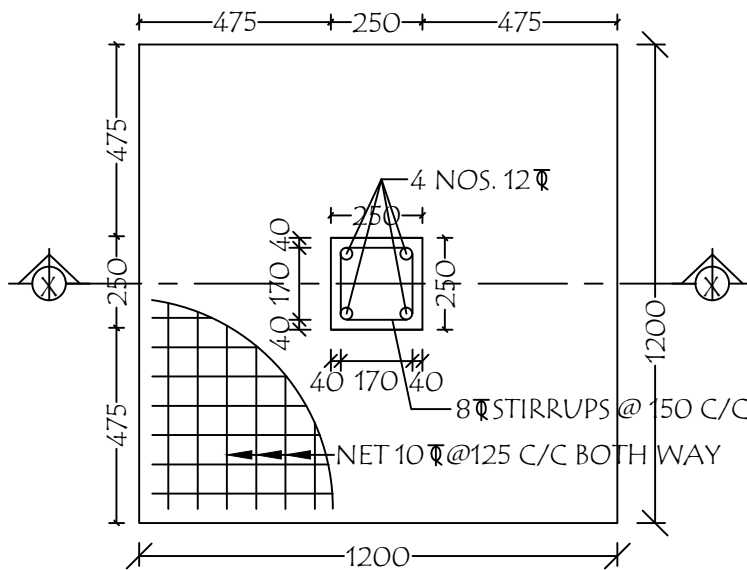


SECTION X X

Scale - N.T.S.



DETAILS OF COLUMN FOUNDATION

Scale - N.T.S.

Structure Detail