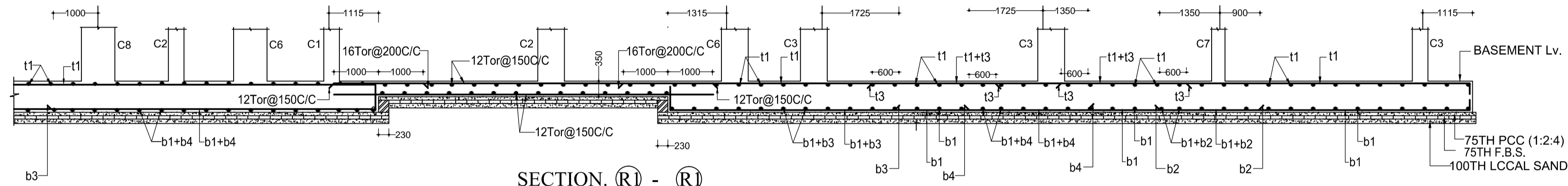
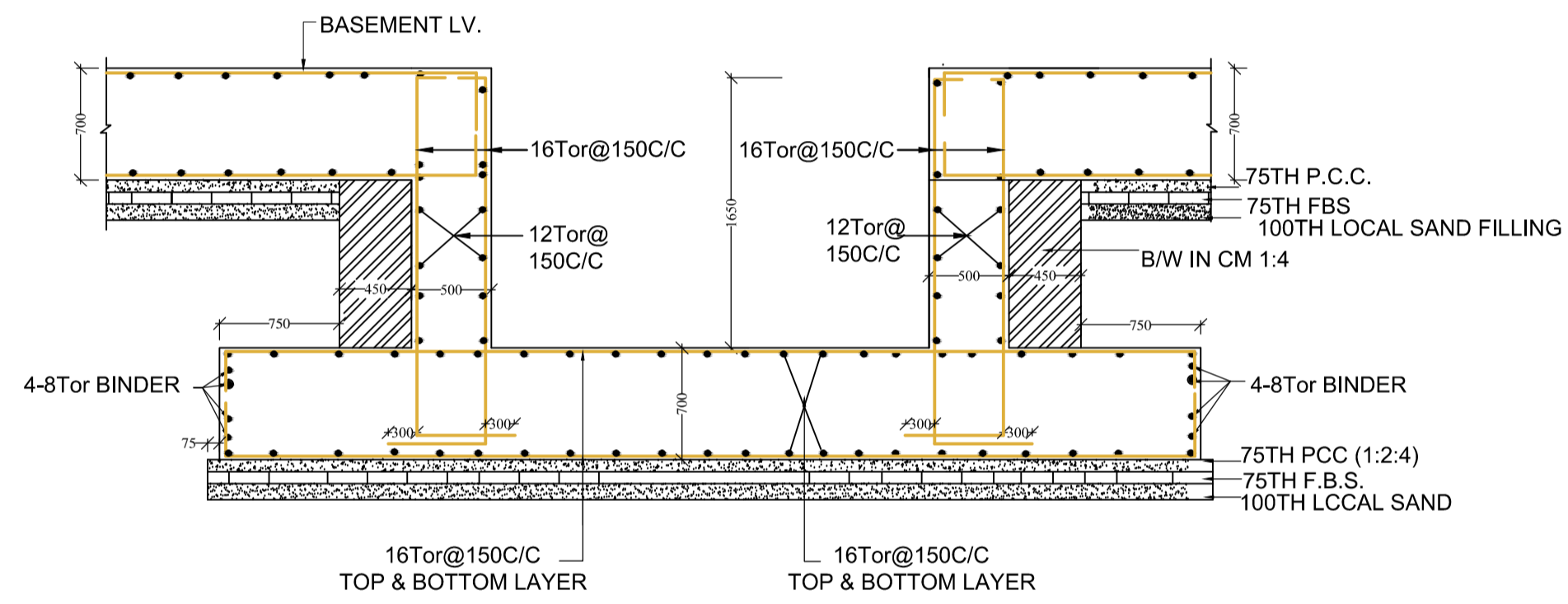


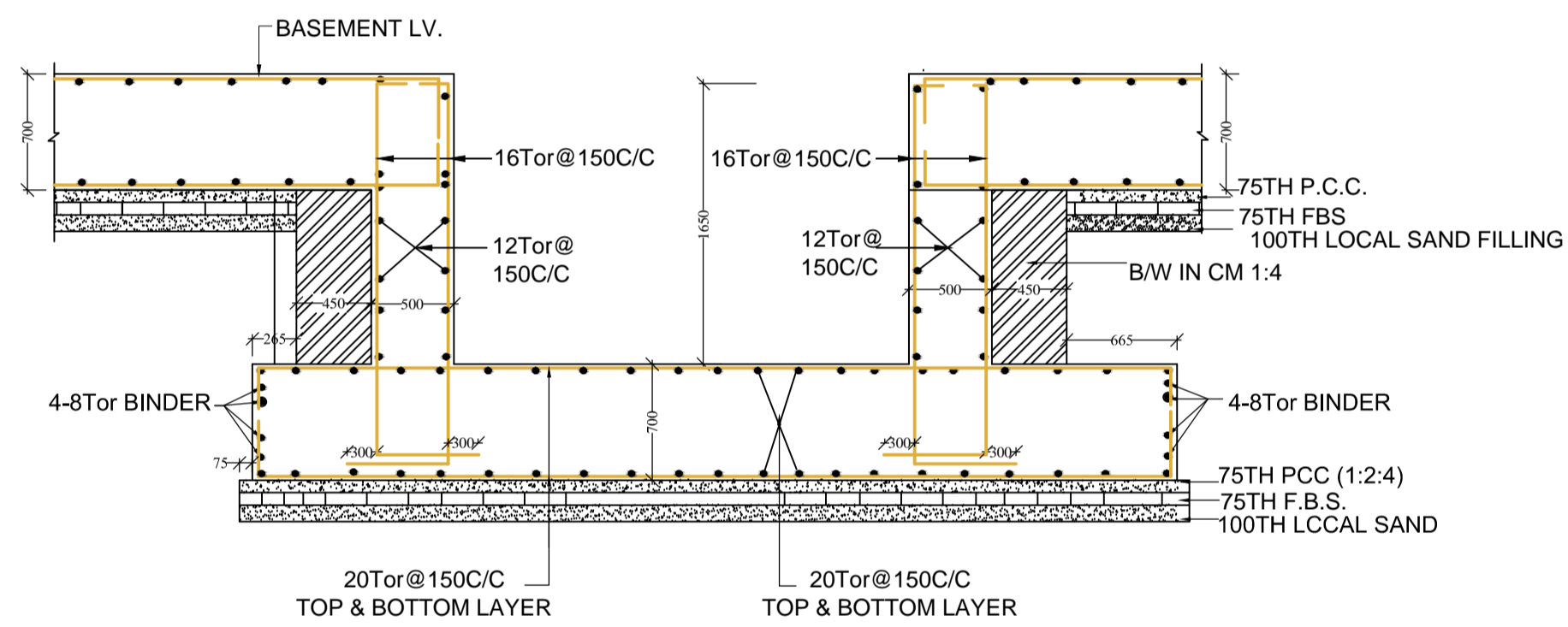
SECTION (R) - (R)



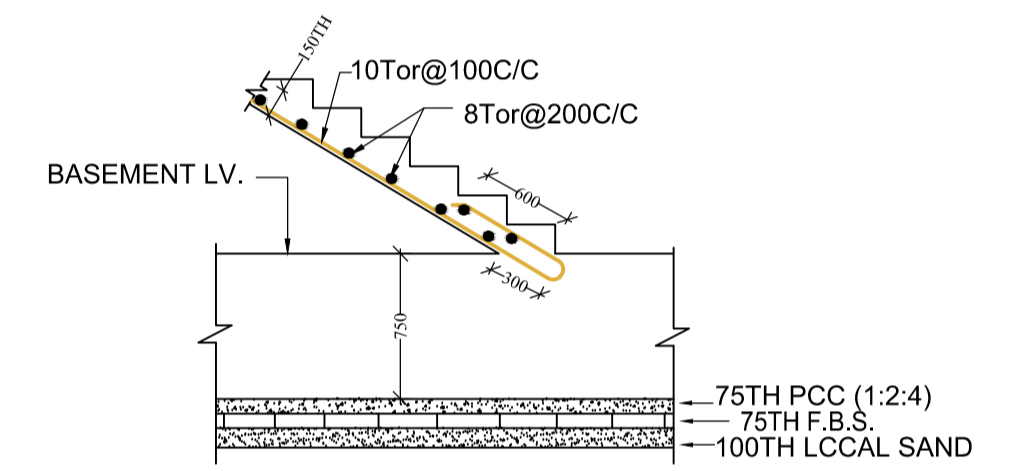
SECTION (R) - (R)



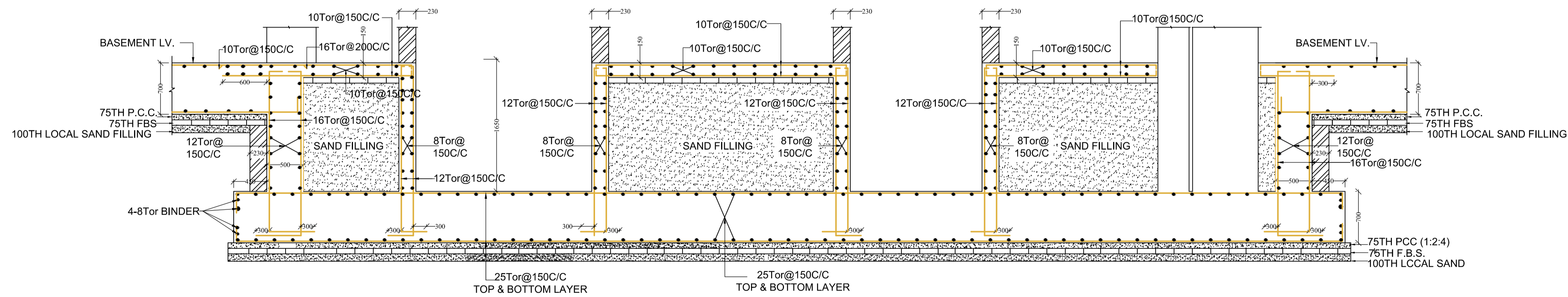
SECTION (L1) - (L1)
(THROUGH LIFT WELL)



SECTION (L2) - (L2)
(THROUGH LIFT WELL)



SECTION THROUGH STAIR
SECTION (L) - (L)



SECTION (L3) - (L3)
(THROUGH LIFT WELL)

NOTE :-
1. ALL DIMENSIONS ARE IN mm.
2. THIS DRG. SHALL BE READ WITH DRG. NO. S1

REVISION		PARTICULARS	DRAWN	CKED	APPRD
No.	DATE				
PROJECT No.	TITLE:- SECTION				
DRAWN BY Ravi Prasad	WORK:- PROPOSED APARTMENT AT BOKARO				
APPRD	CLIENT:- ECONAVI, BOKARO				
SCALE 1: 100	ARCHITECT:- K N S DESIGN,RANCHI				
DT: 15.08.2020					
DRG.No. S-2	REV	SDCON STRUCTURAL DESIGNERS, CIVIL ENGINEERS HOUSE NO. L 2/11, SOUTH S K PURI PATNA			