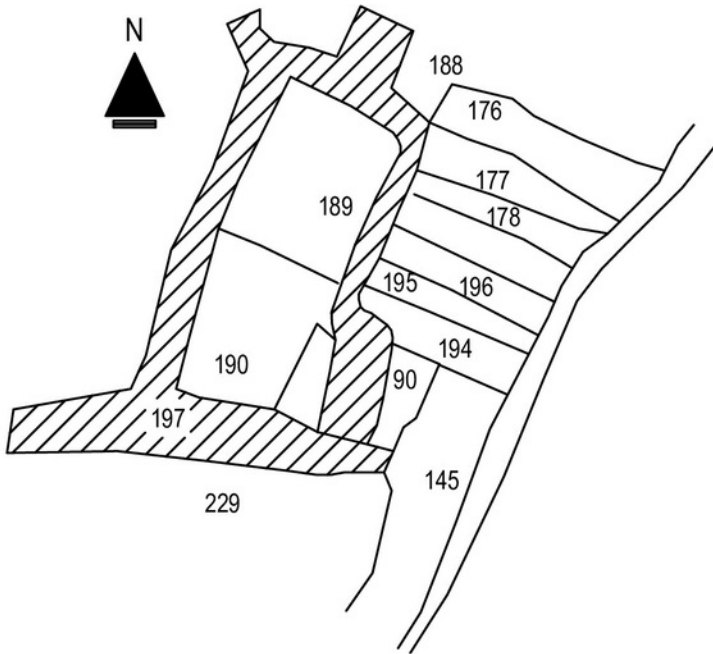
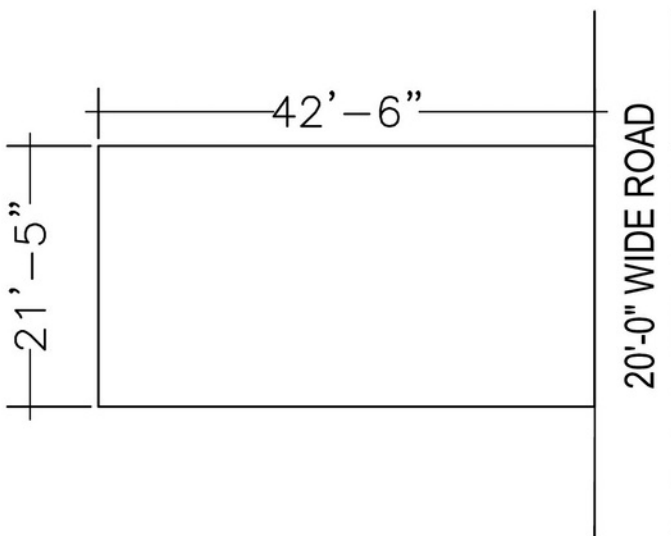


A PART PLAN IN MOUZA- CHAS P.S.- CHAS NO.- 30 DIST- BOKARO JHARKHAND UNDER KHATA NO.- 307 PLOT NO.- 187,189,190,191



VENDOR-
SRI DHIRENDRA NATH PANDEY
S/O- SRI MUKTI NATH PANDER
ADDRESS- CITY CENTRE SEC-4
BOKARO

VENDEE
SMT SWET NISHA SINGH W/O-
LATE SAROJ KUMAR SINGH
ADDRESS-SEC-8/A QTR NO.-
2197 B.S.CITY



TRUE COPY
TRACED BY
Meghulal Mahato
amin ,kapuria