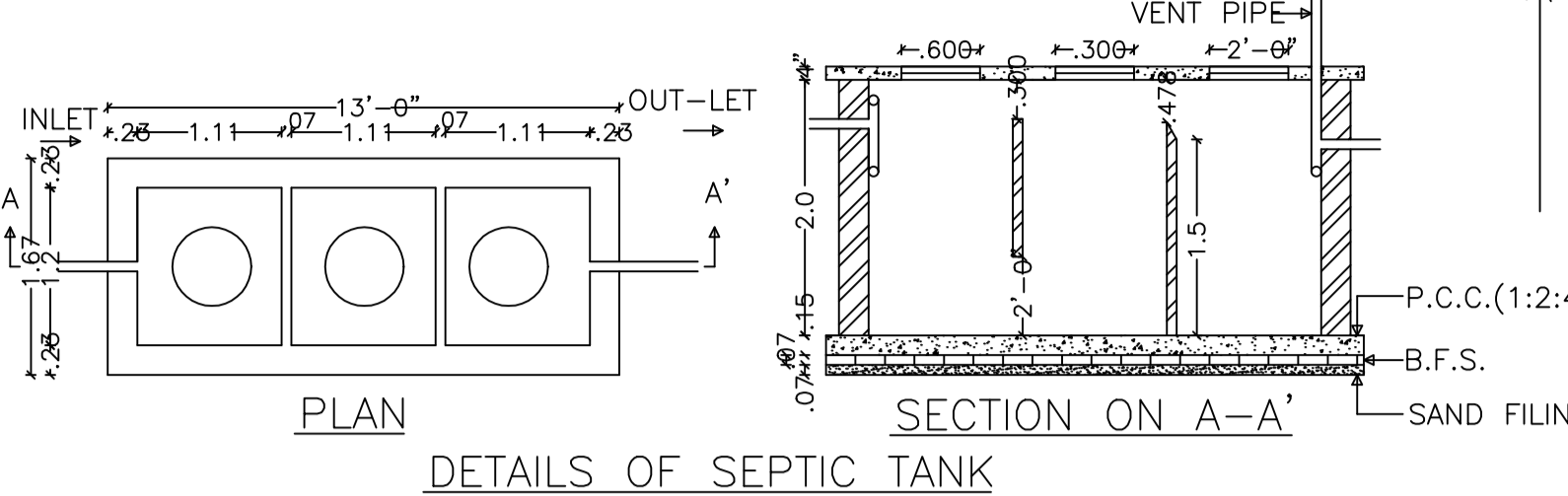
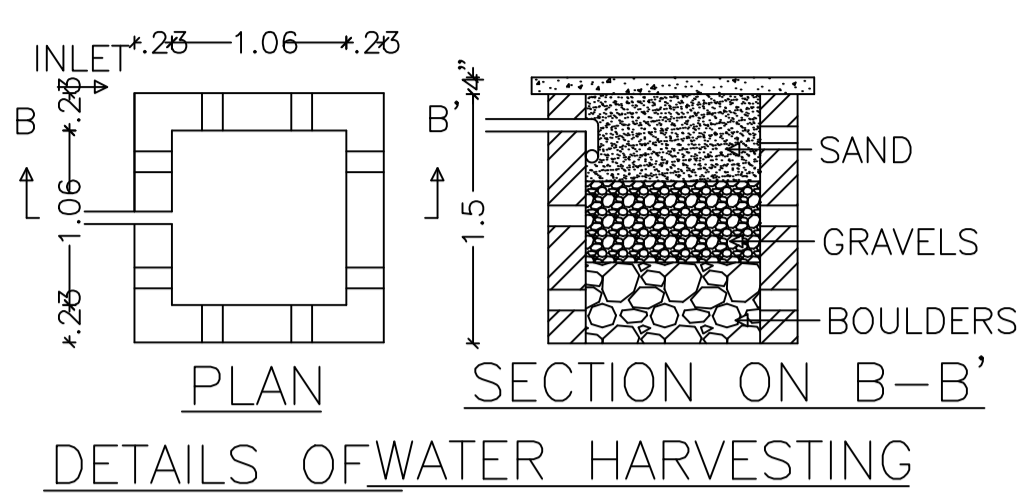
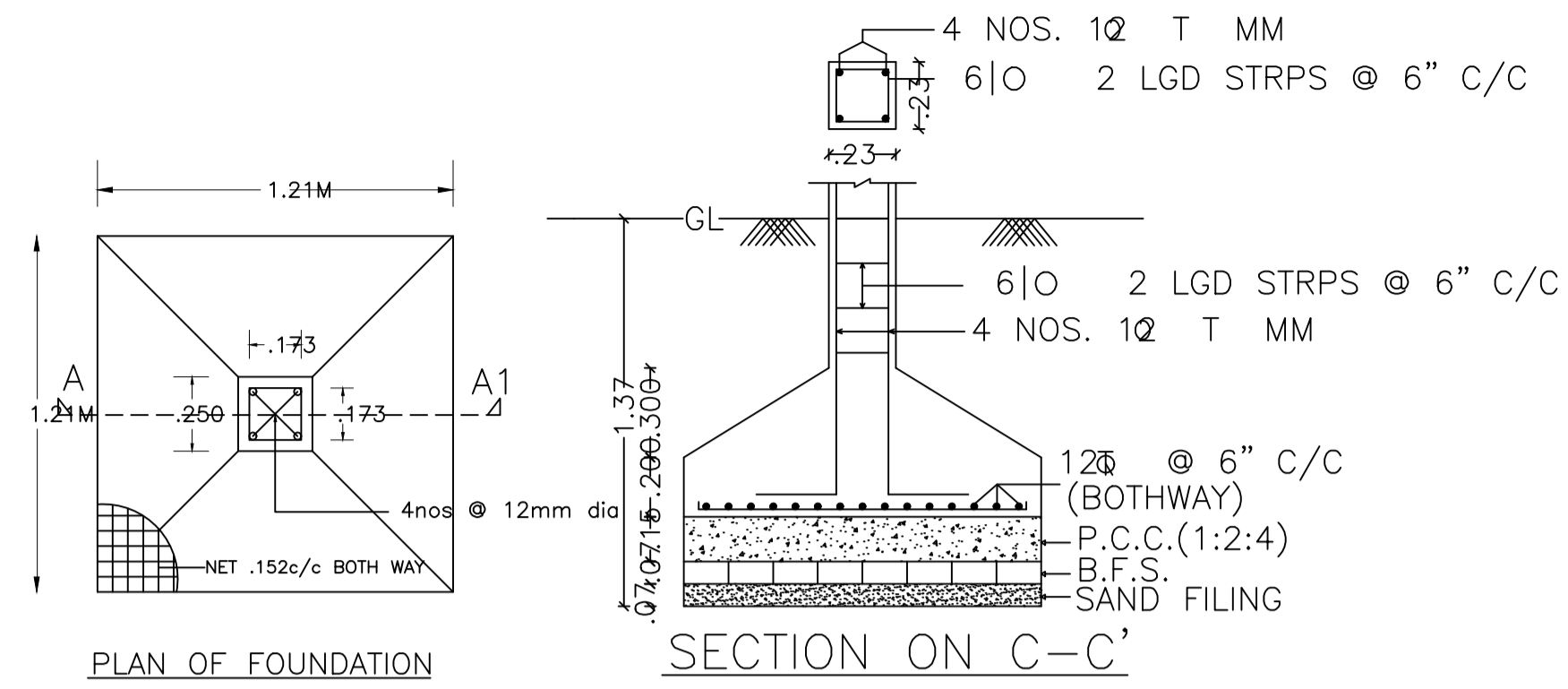
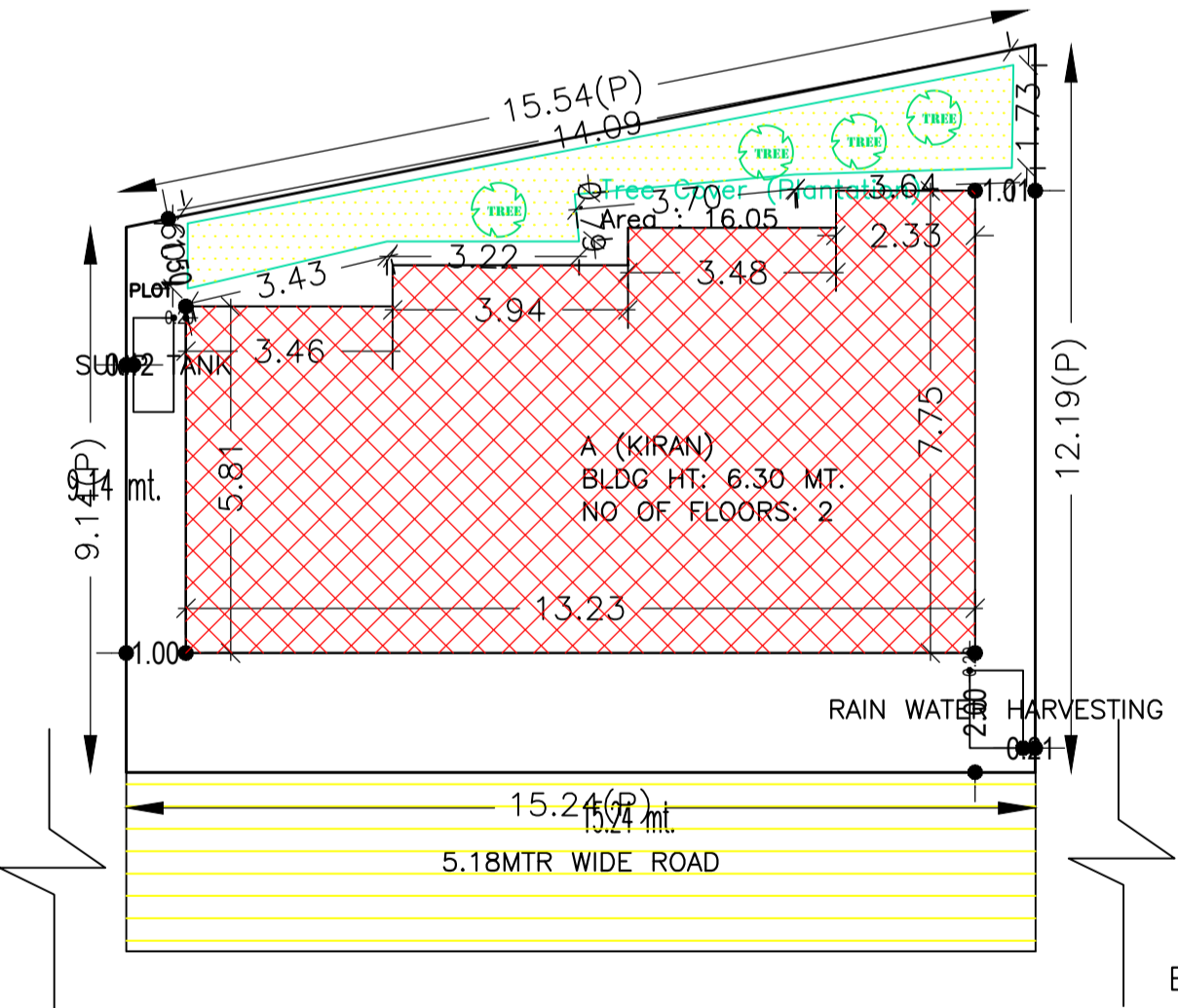
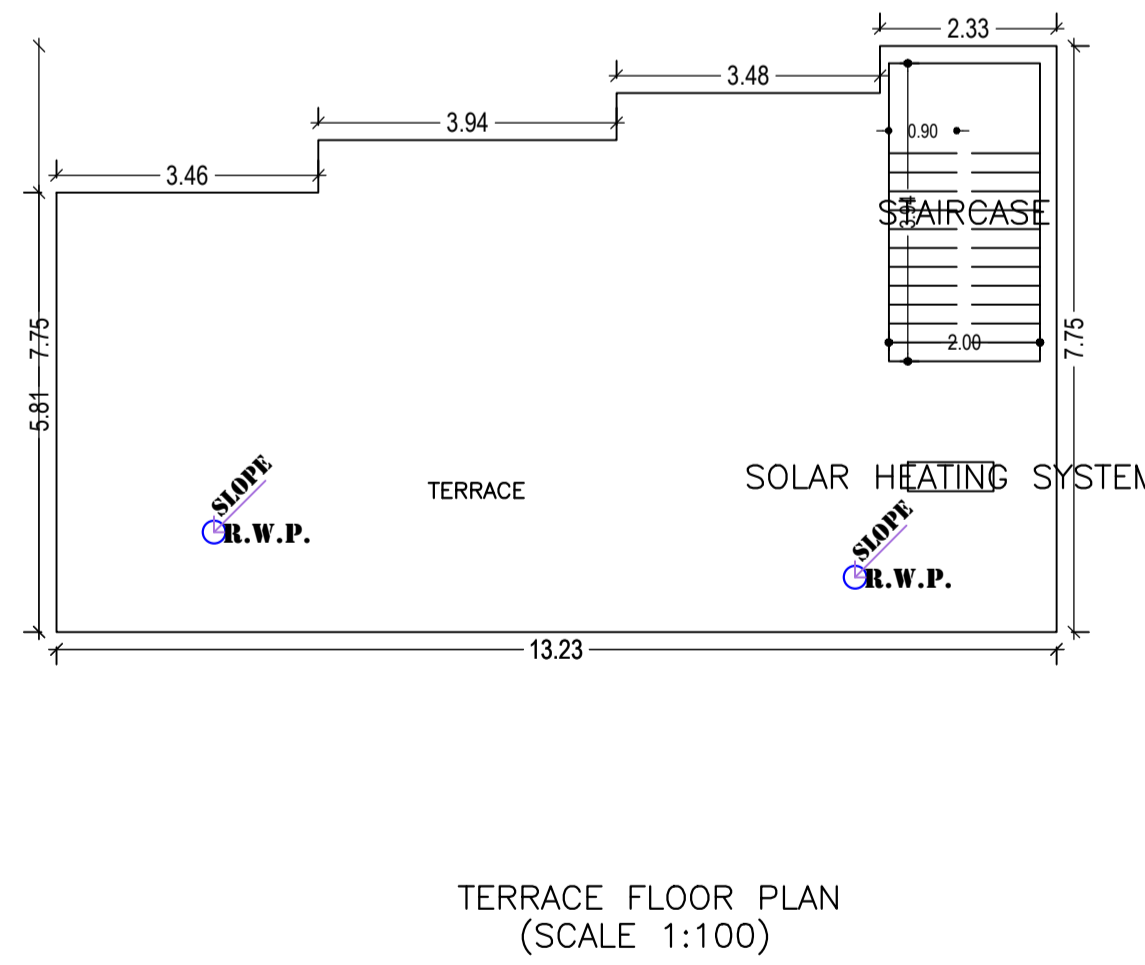
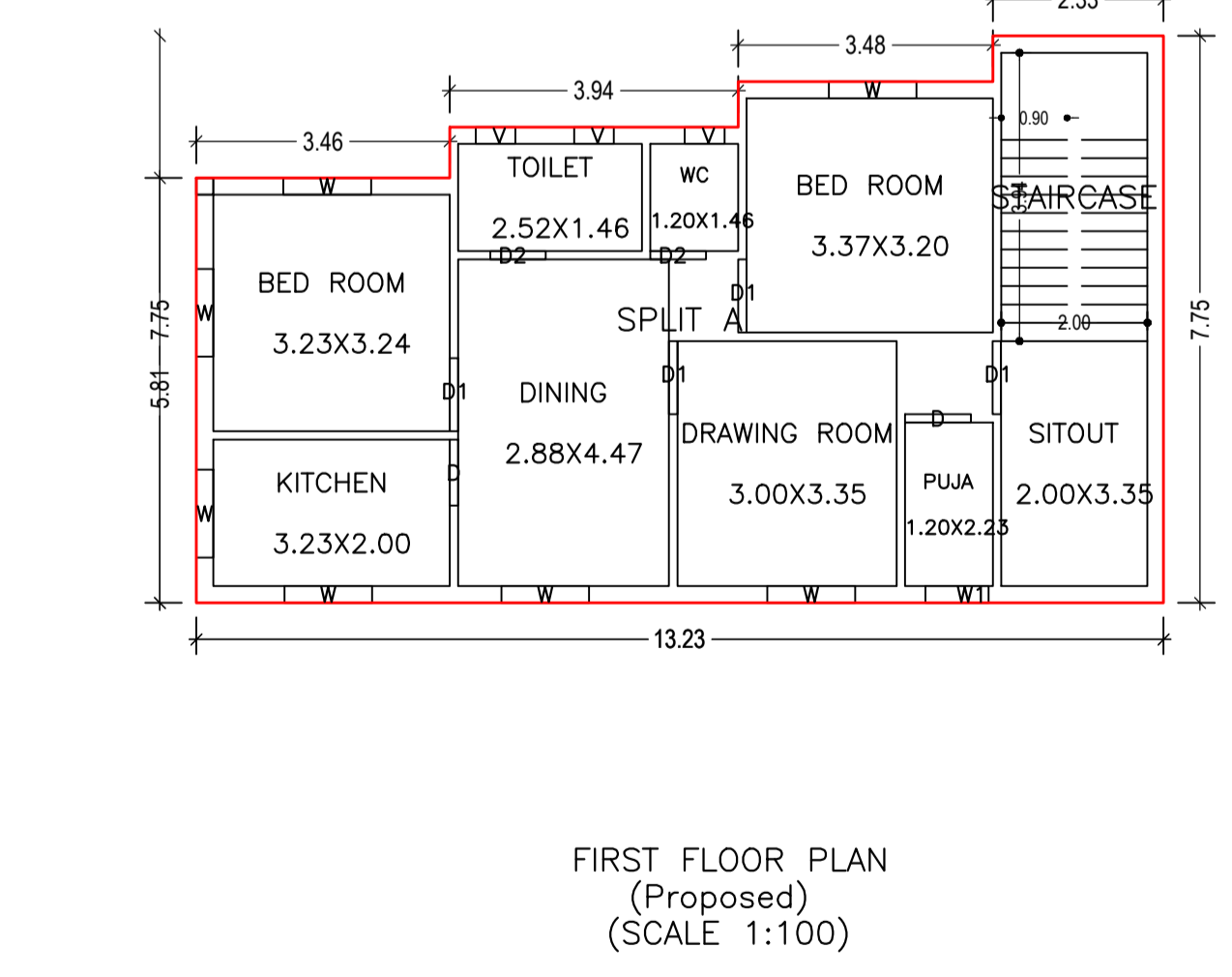
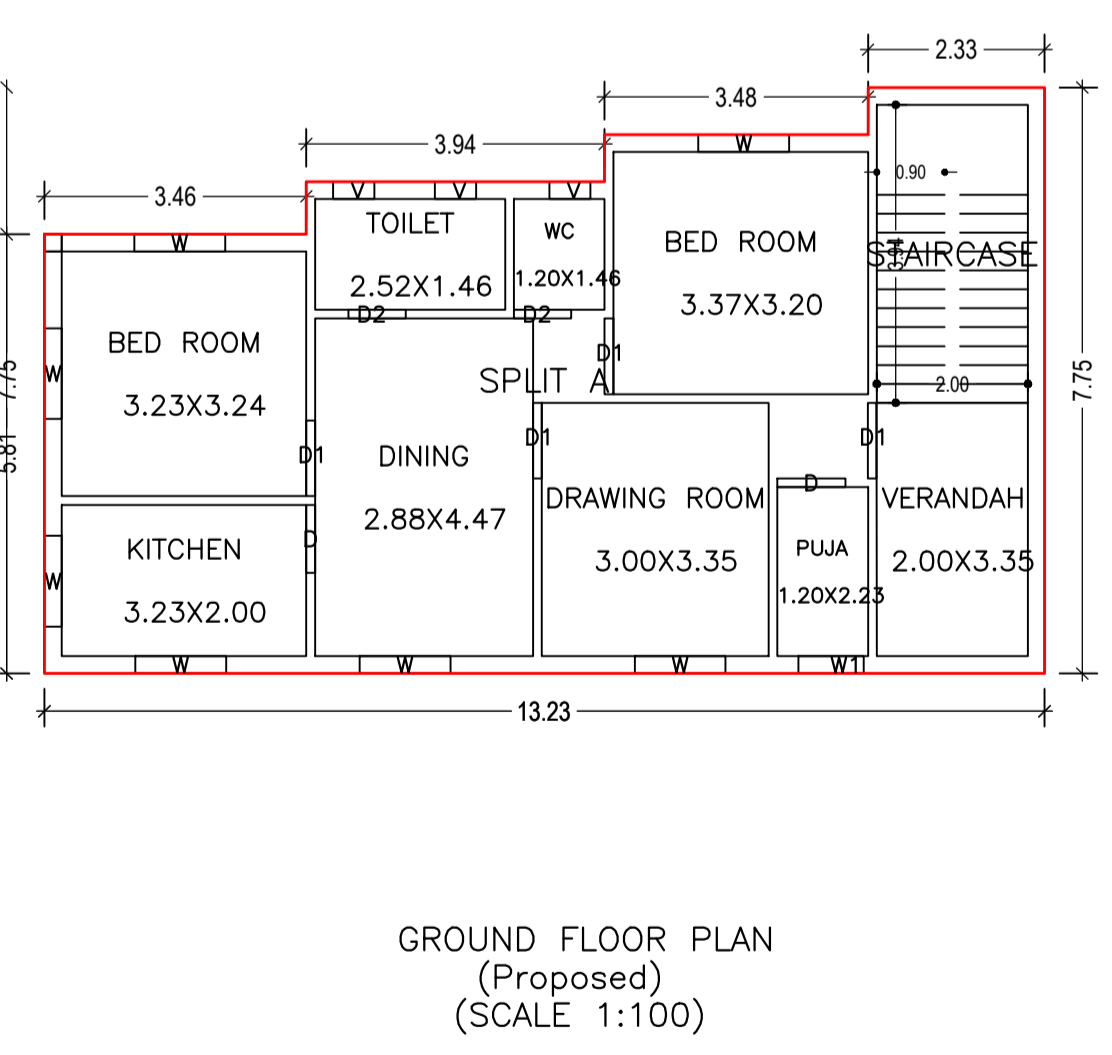
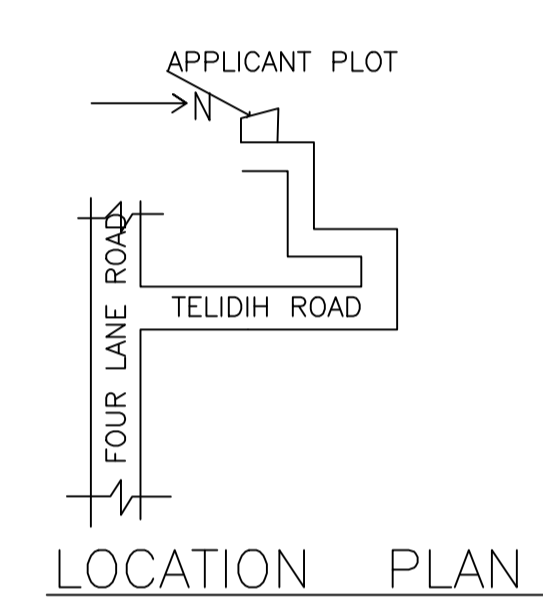
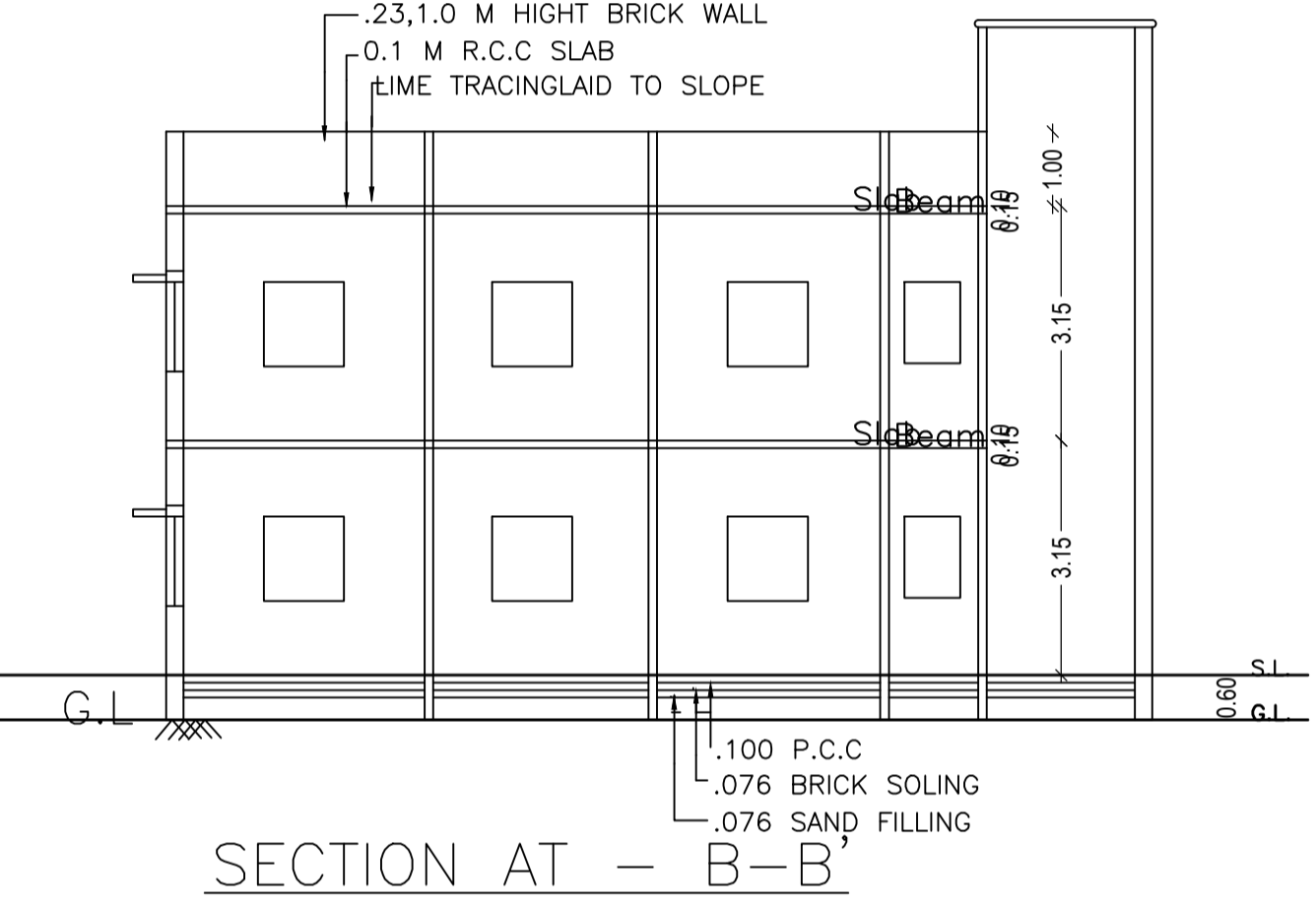
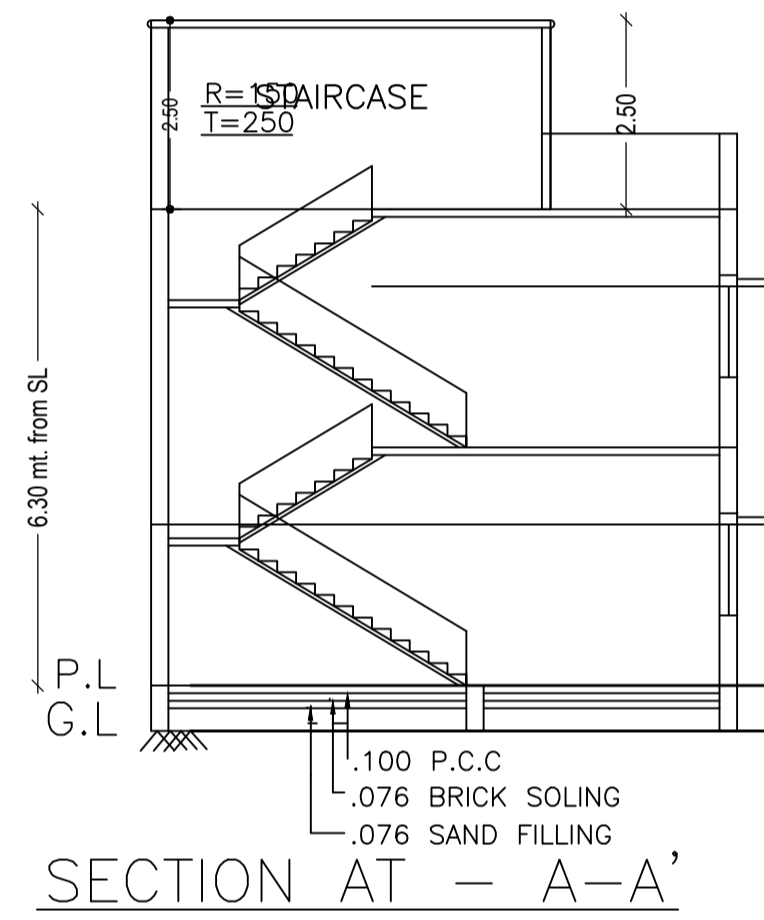
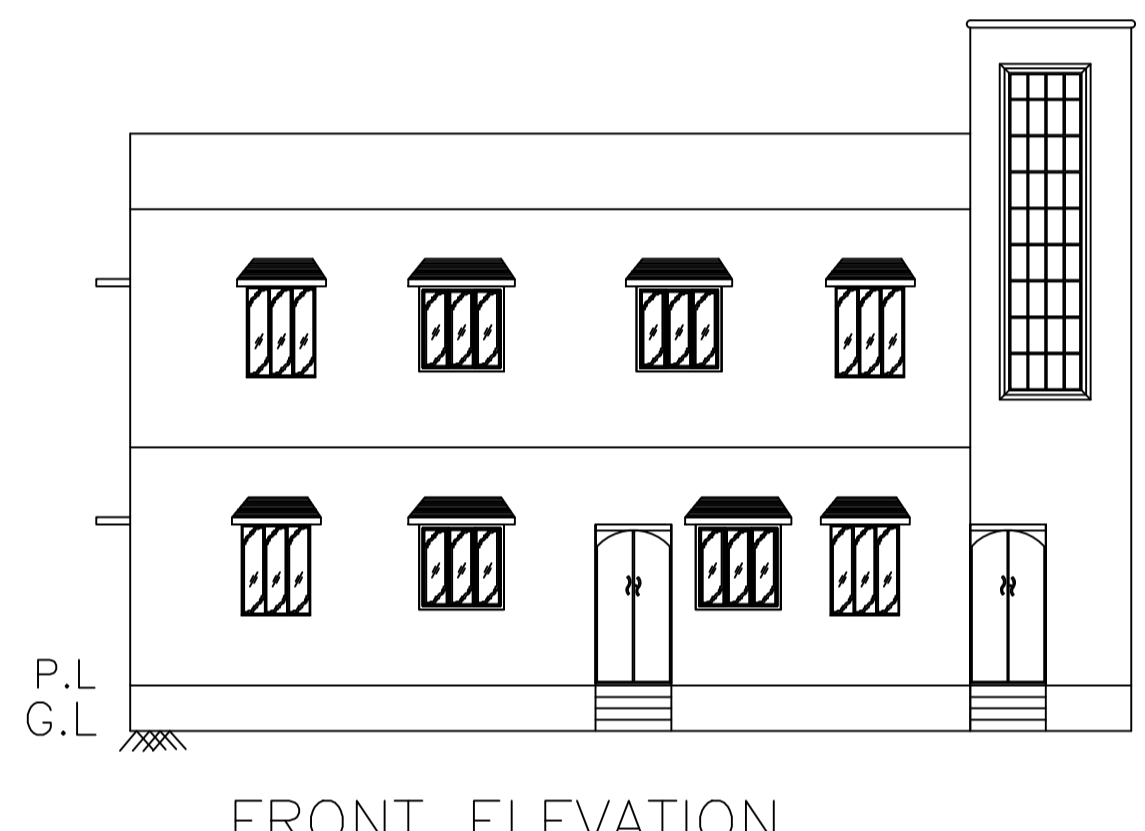
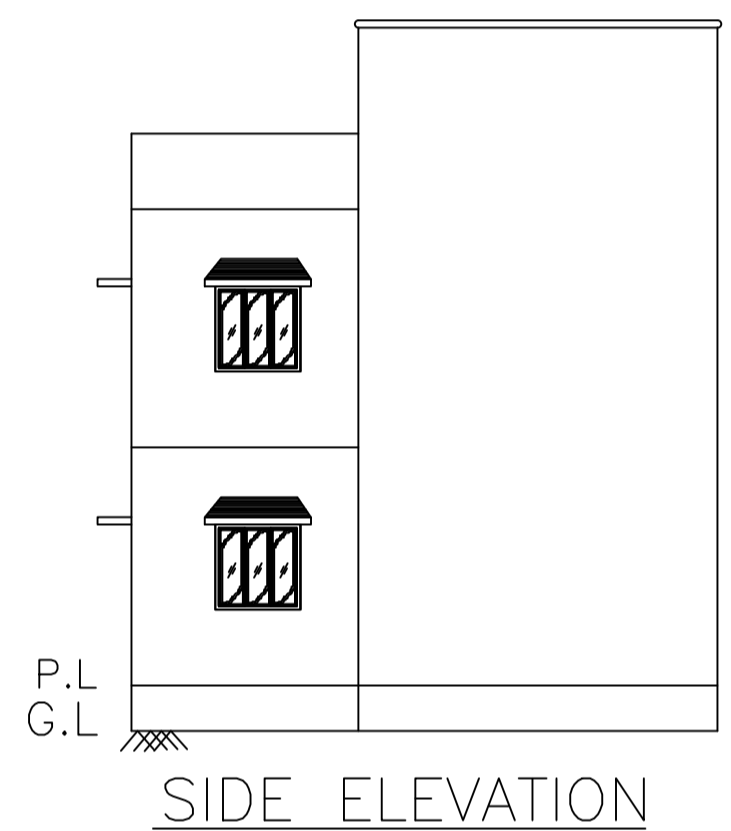


Proposal Basic Information	
Proposal File No.	CMC/BP/0307/W24/2021
Owner Name	Smt Kiran Devi
Khata No	24
Plot No	1028
Village Name	Telidih
Use	Residential
SubUse	Bungalow/ Dwelling / Non Apartment



KEY PLAN
SCALE = 1" = 330'

AREA STATEMENT CHAS MUNICIPAL CORPORATION		VERSION NO. 1.0.61
PROJECT DETAIL:		VERSION DATE: 16/10/2020
Region: JHARKHAND URBAN LOCAL BODIES	Plot Use: Residential	
District: BOKARO	Plot SubUse: Bungalow/ Dwelling / Non Apartment	
Authority: CHAS MUNICIPAL CORPORATION	PlotNearbyReligiousStructure: NA	
Inward_No: CMC/BP/0307/W24/2021	PlotSubPlot No: 1028	
Application Type: General Proposal	North: Plot No. - Sundari Devi	
Project Type: Building Permission	South: Plot No. - Vendor Nij	
Nature of Development: New	East: Road Width - 5.18	
Location of Development Area: Old Area	West: Plot No. - 1024	
AREA DETAILS:		
AREA OF PLOT (Minimum)	(A)	SQ.MT. 162.49
NET AREA OF PLOT(Gross Plot Area)	(A-Deductions)	162.49
Deduction for Balance Plot Area(from Gross Plot Area)		
Common Plot		16.05
Total		16.05
BALANCE AREA OF PLOT(Net Plot Area - Recreational/Amenity space)	(A-Deductions)	146.44
PLOT AREA FOR COVERAGE(Net Plot Area)	(A-Deductions)	162.49
Plot Area for FAR (Net Plot Area + Road Widening Area)	(A-Deductions)	162.49
COVERAGE CHECK		
Permissible Coverage area (70.00 %)		113.74
Proposed Coverage Area (54.60 %)		88.72
Total Prop. Coverage Area (54.6 %)		88.72
Balance coverage area (15.40 %)		25.02
FAR CHECK		
Perm. FAR Area (1.80)		292.48
Total Perm. FAR area		292.48
Residential FAR		177.44
Proposed FAR Area		177.44
Total Proposed FAR Area		177.44
Consumed FAR (Factor)		1.09
Balance FAR Area		115.04
BUILT UP AREA CHECK		
Total Proposed BuiltUp Area		177.44
ARCHITECT (Regd)		RAGHUNATH CHOUDHARY
ENGINEER (Regd)		
SUPERVISOR (Regd)		
OWNER (Regd)		Smt Kiran Devi
DEVELOPMENT AUTHORITY		LOCAL BODY



Building :A (KIRAN)

Floor Name	Total Built Up Area (Sq.mt.)	Proposed FAR Area (Sq.mt.) Resi.	Total FAR Area (Sq.mt.)	Total Consumed Additional FAR Area (Sq.mt.)	Tnmt (No.)
Ground Floor	88.72	88.72	88.72	88.72	01
First Floor	88.72	88.72	88.72	88.72	00
Terrace Floor	0.00	0.00	0.00	0.00	00
Total :	177.44	177.44	177.44	177.44	01
Total Number of Same Buildings :	1				
Total :	177.44	177.44	177.44	177.44	01

SCHEDULE OF DOOR:

BUILDING NAME	NAME	LENGTH	HEIGHT	NOS
A (KIRAN)	D2	0.76	2.10	04
A (KIRAN)	D	0.90	2.10	04
A (KIRAN)	D1	1.00	2.10	08

SCHEDULE OF WINDOW/VENTILATION:

BUILDING NAME	NAME	LENGTH	HEIGHT	NOS
A (KIRAN)	V	0.54	1.20	06
A (KIRAN)	W1	0.86	1.20	02
A (KIRAN)	W	1.20	1.20	14

Buildingwise Floor FAR Details

Floor Name	Building Name A (KIRAN)		Total	
	Proposed Built Up Area (Sq.mt.)	Proposed FAR Area (Sq.mt.)	Total Proposed Built Up Area (Sq.mt.)	Total FAR Area (Sq.mt.)
Ground Floor	88.72	88.72	88.72	88.72
First Floor	88.72	88.72	88.72	88.72
Terrace Floor	0.00	0.00	0.00	0.00
Total :	177.44	177.44	177.44	177.44

Building USE/SUBUSE Details

Building Name	Building Use	Building SubUse	Building Structure
A (KIRAN)	Residential	Bungalow/ Dwelling / Non Apartment	Non-Highrise

UnitBUA Table for Building :A (KIRAN)

FLOOR	Name	UnitBUA Type	UnitBUA Area	Carpet Area	No. of Rooms	No. of Tenement
GROUND FLOOR PLAN	SPLIT A	FLAT	177.44	177.33	9	1
FIRST FLOOR PLAN	SPLIT A	FLAT	0.00	0.00	9	0
Total:	-	-	177.44	177.33	18	1

FAR & Tenement Details (Table 4c-1)

Building	No. of Same Bldg	Total Built Up Area (Sq.mt.)	Proposed FAR Area (Sq.mt.) Resi.	Total FAR Area (Sq.mt.)	Total Consumed Additional FAR Area (Sq.mt.)	Tnmt (No.)
A (KIRAN)	1	177.44	177.44	177.44	177.44	01
Grand Total :	1	177.44	177.44	177.44	177.44	01

COLOR INDEX

PLOT BOUNDARY	Black
ABUTTING ROAD	Red
PROPOSED CONSTRUCTION	Green
COMMON PLOT	Blue
ROAD WIDENING AREA	Yellow
EXISTING (To be retained)	Orange
EXISTING (To be demolished)	Purple

LTP NAME AND SIGNATURE	STRUCTURAL ENG'S NAME AND SIGNATURE	BUILDER NAME AND SIGNATURE	DIGITAL SIGNATURE
RAGHUNATH CHOUDHARY CMC/DFTMN/0004/2018			