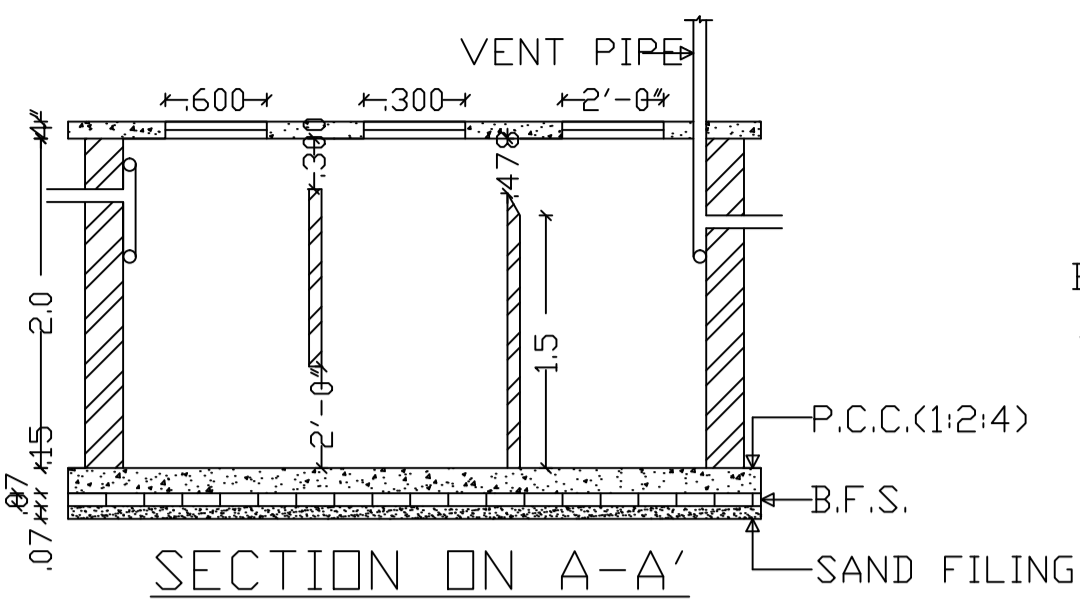
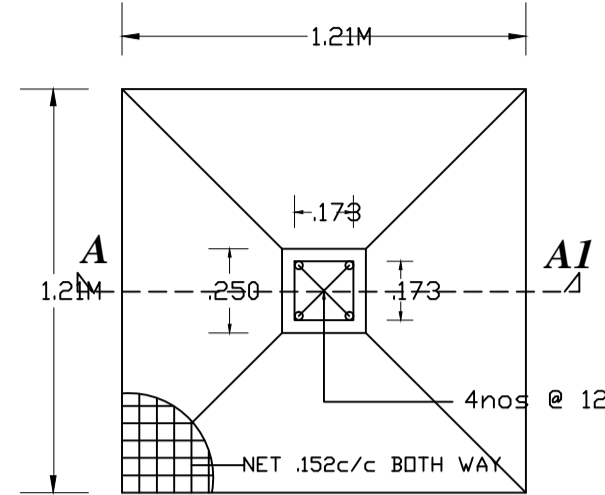
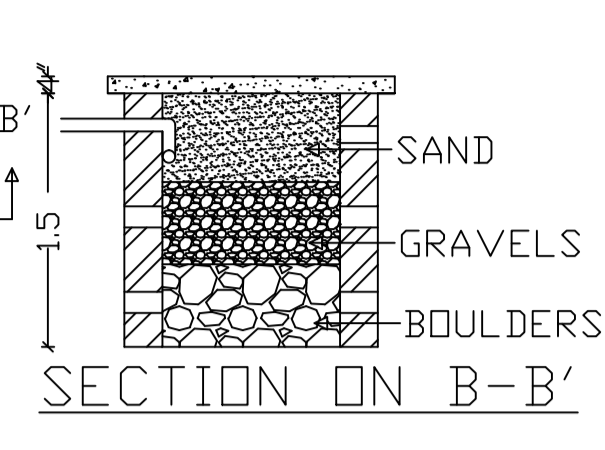
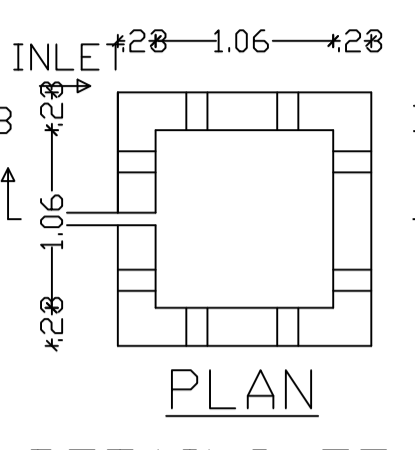


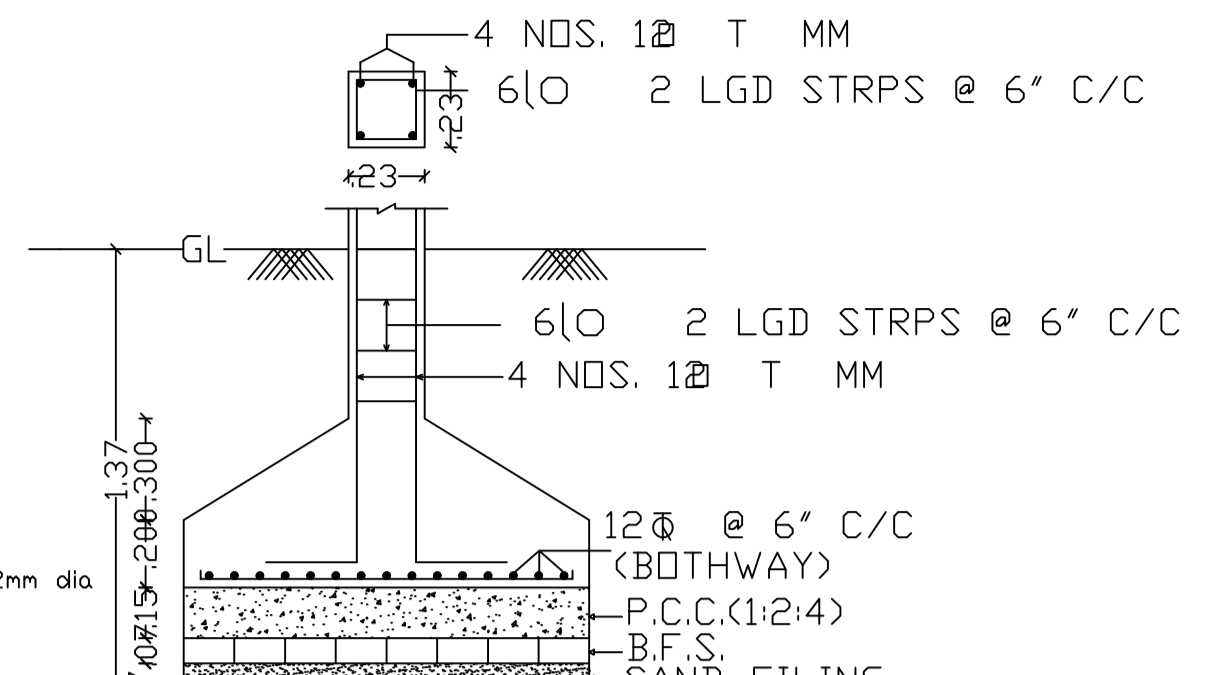
DETAILS OF SEPTIC TANK



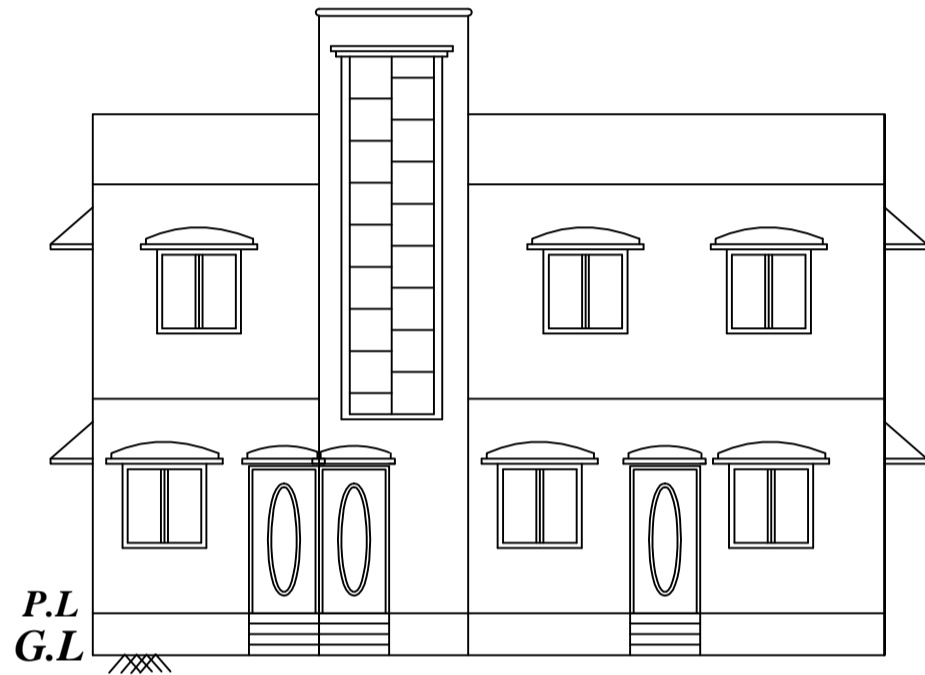
DETAILS OF WATER HARVESTING



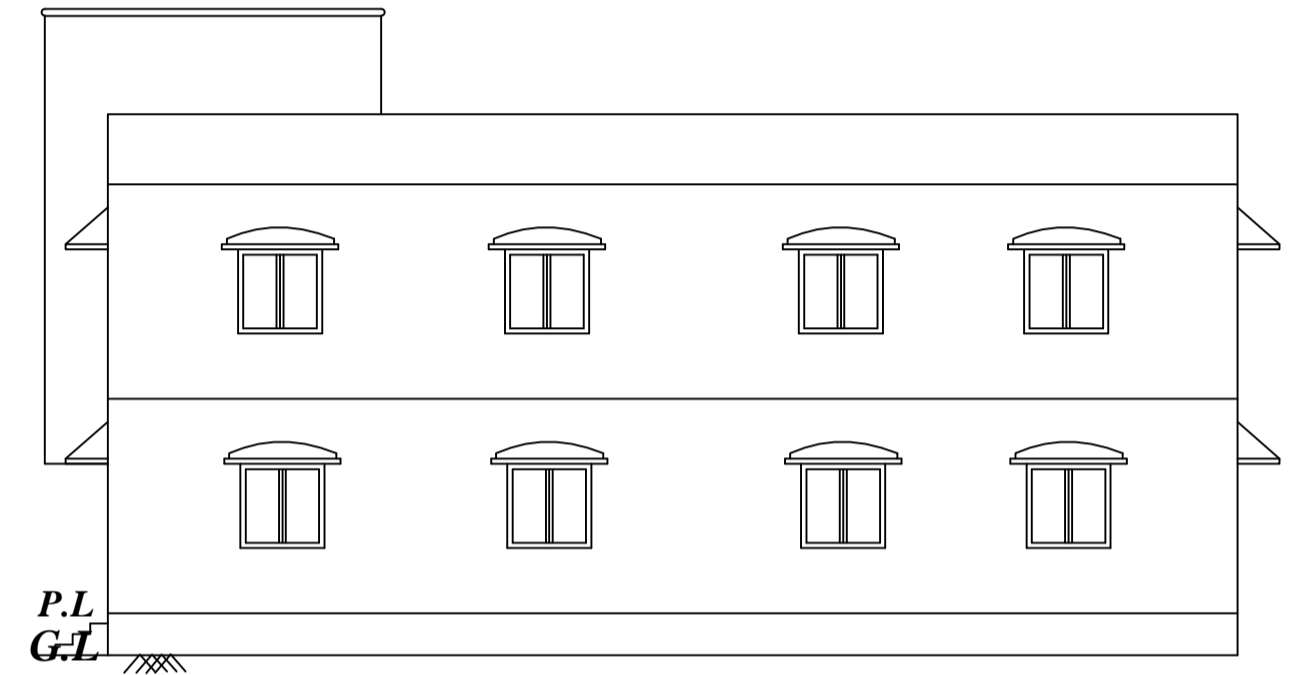
PLAN OF FOUNDATION



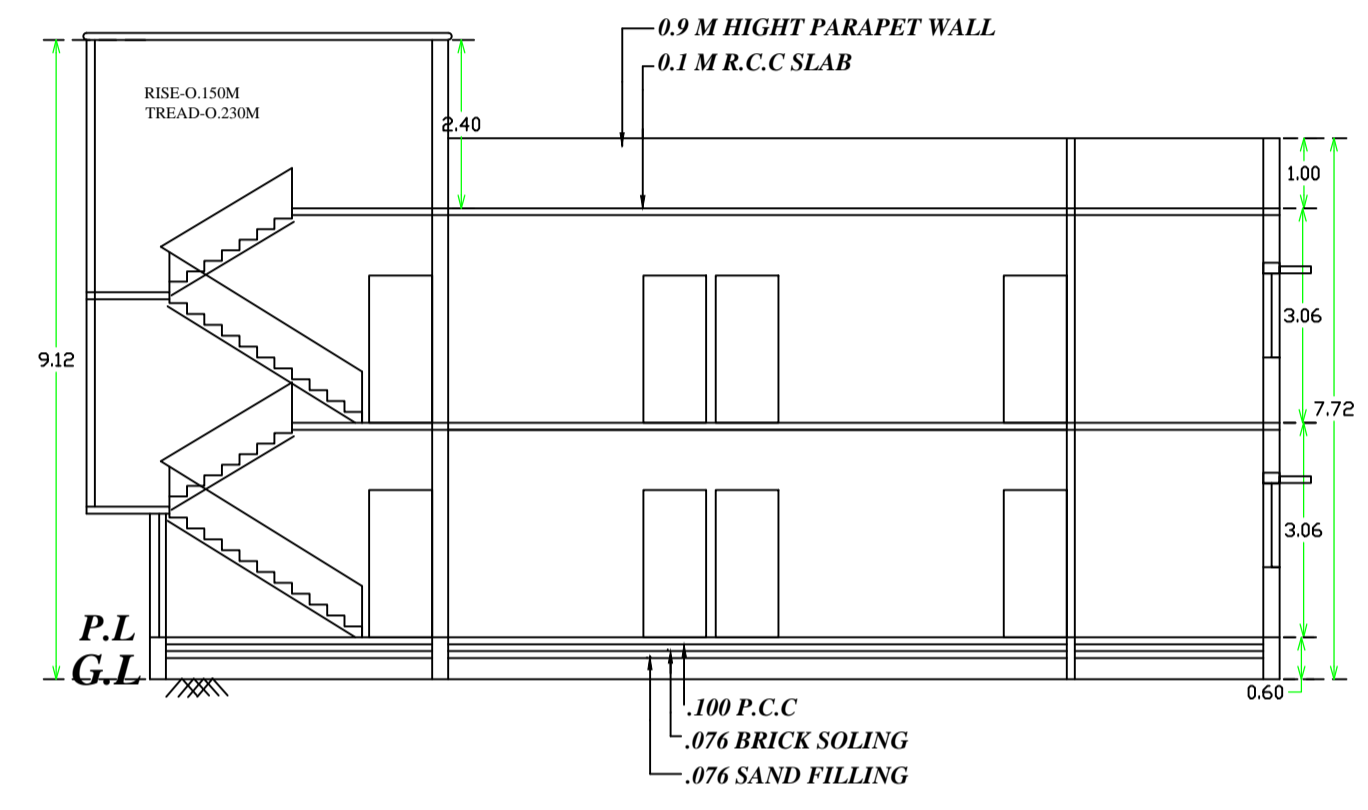
SECTION ON C-C'



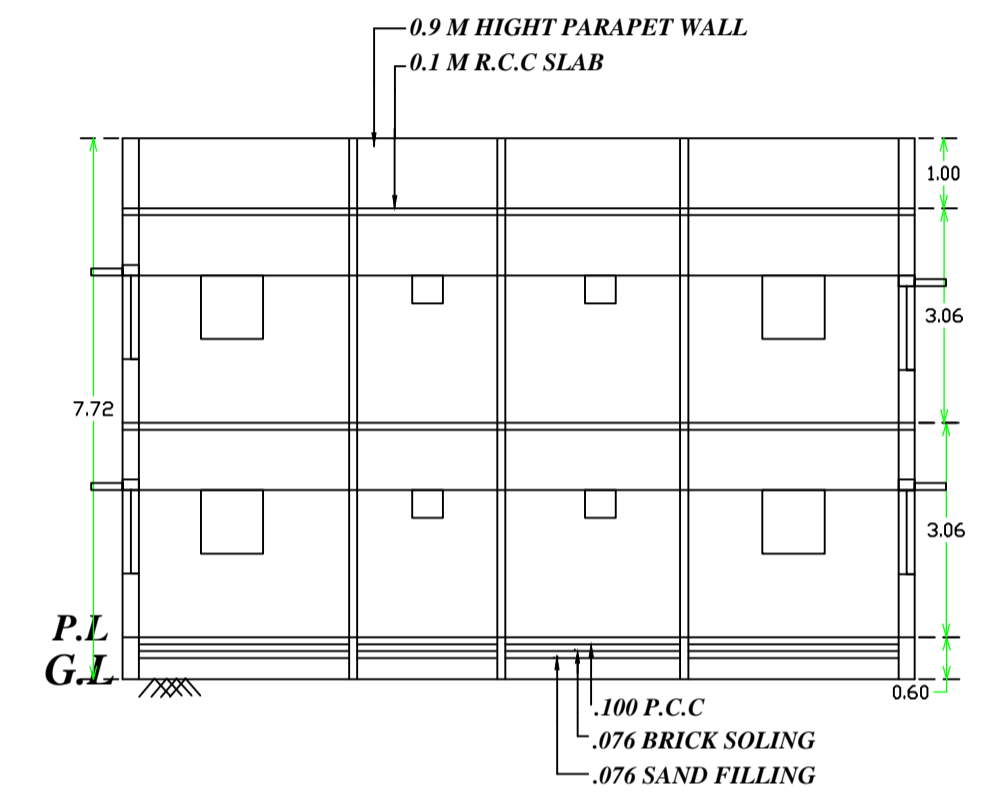
FRONT ELEVATION



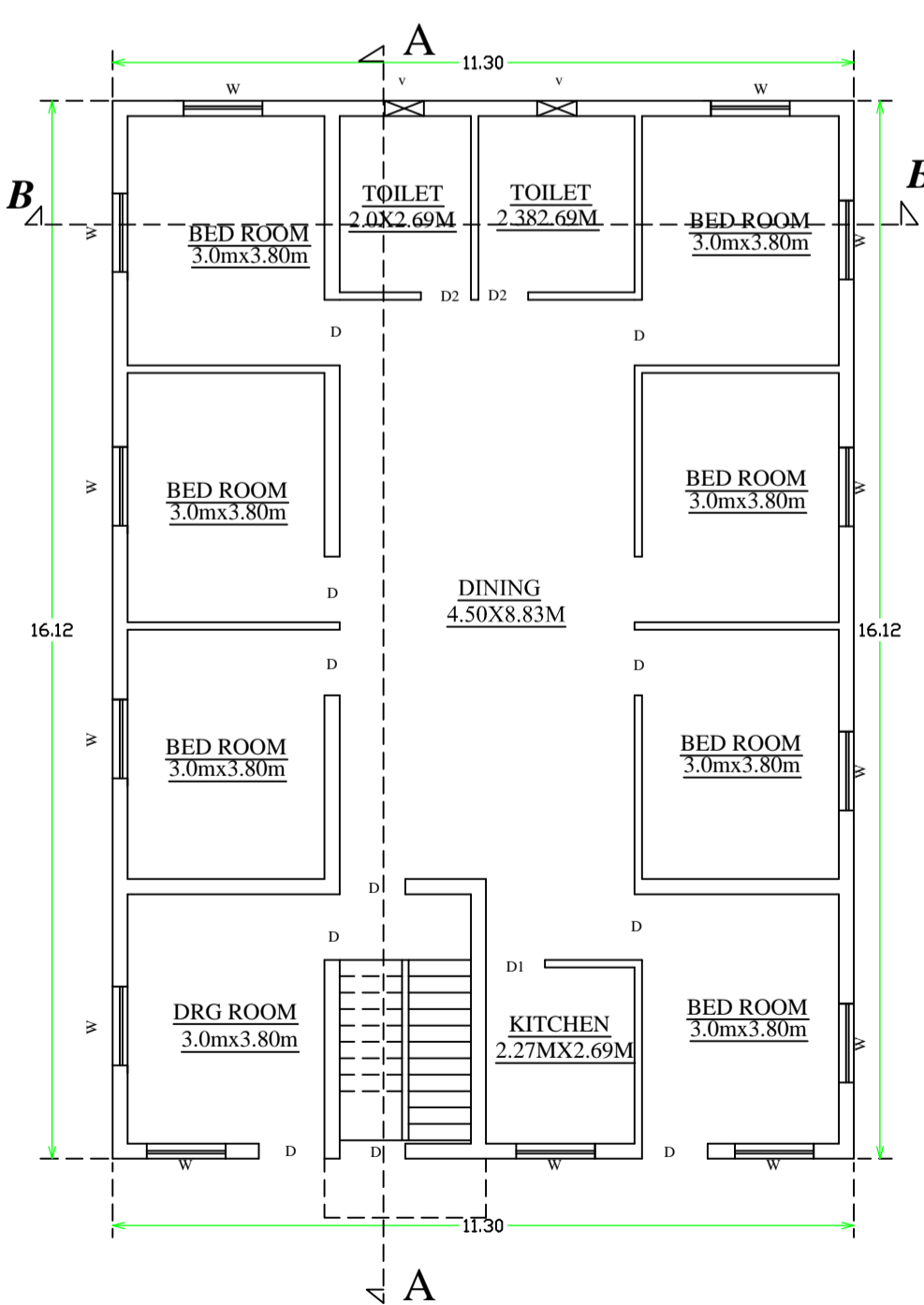
SIDE ELEVATION



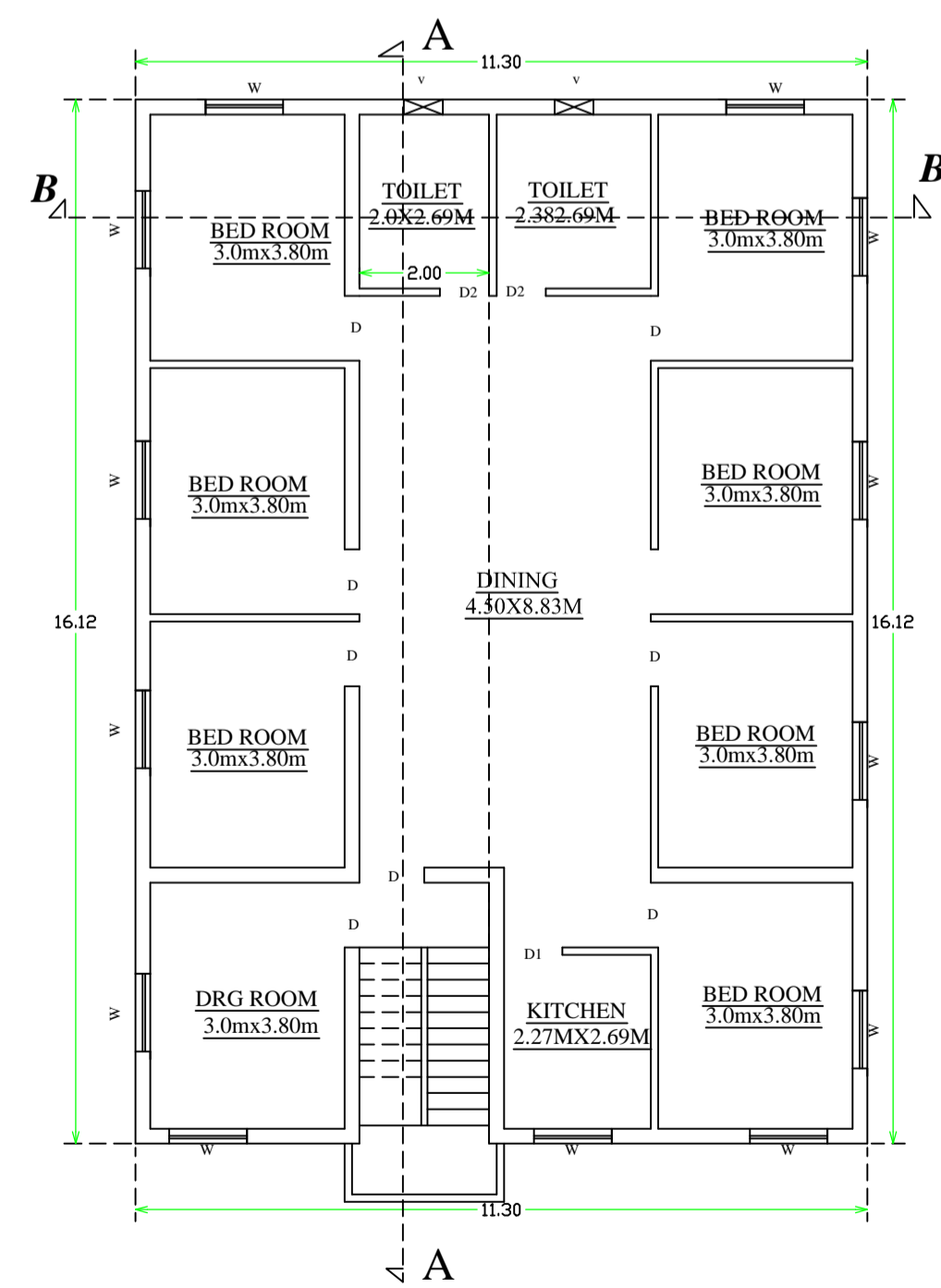
SECTION AT - A-A'



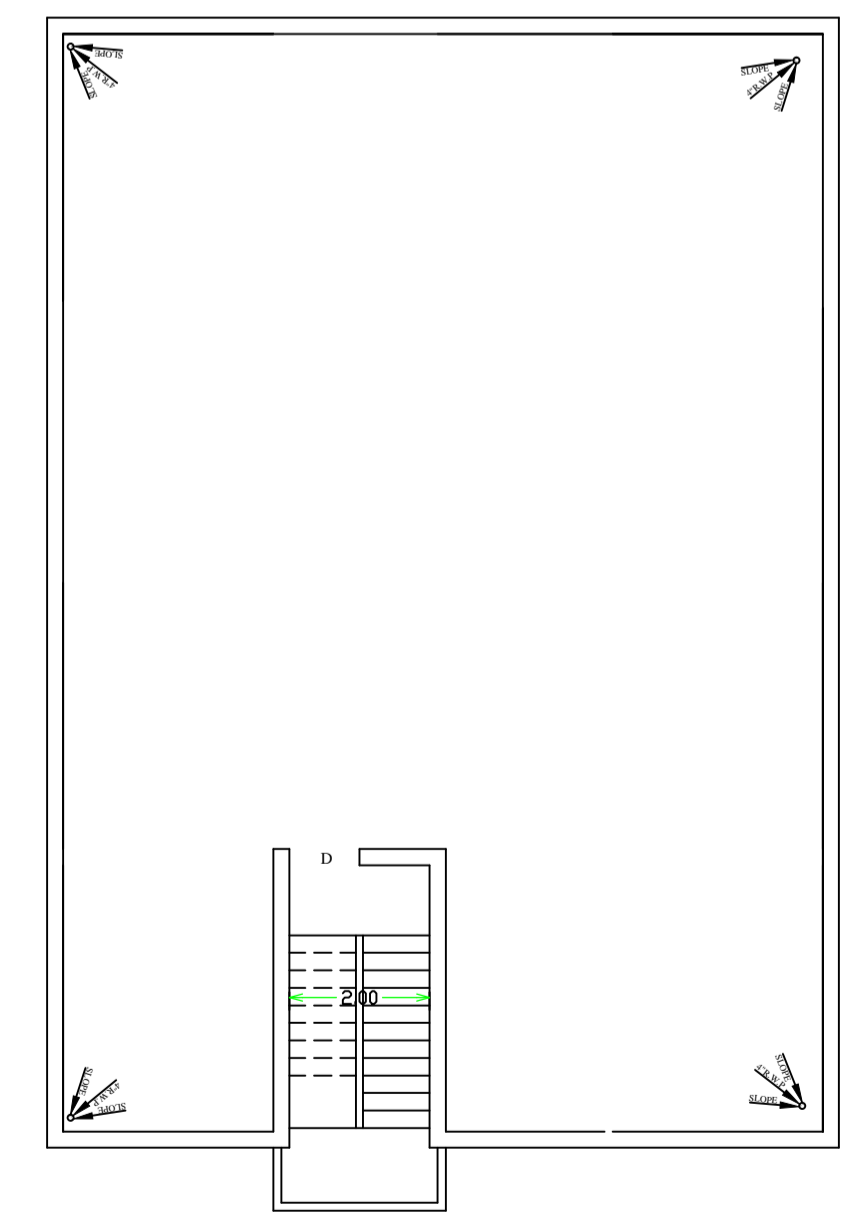
SECTION AT - B-B'



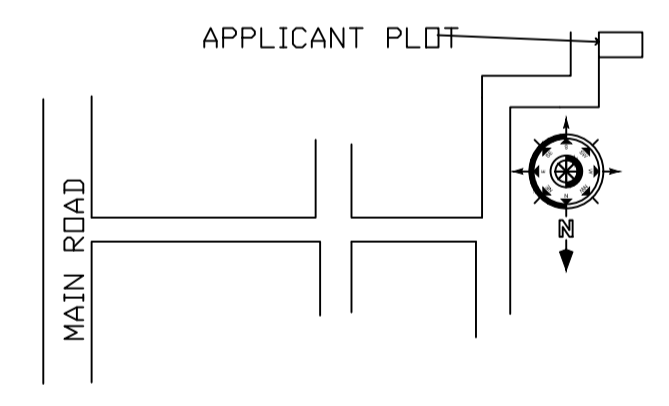
GROUND FLOOR PLAN



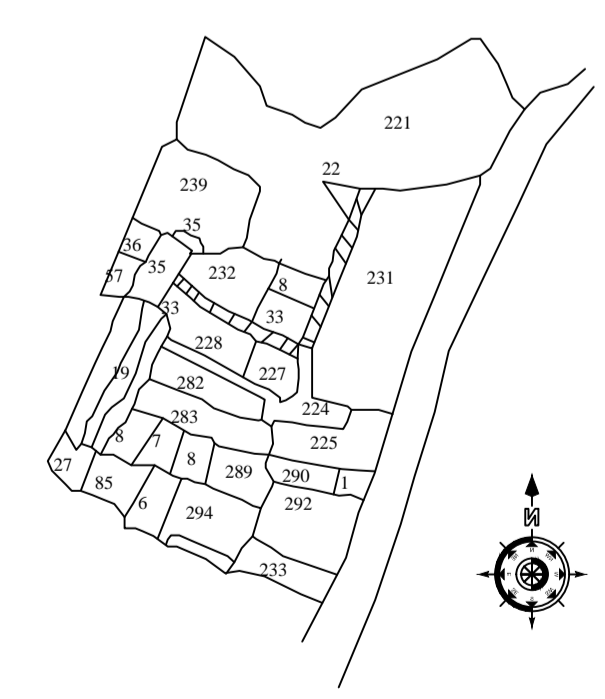
FIRST FLOOR PLAN



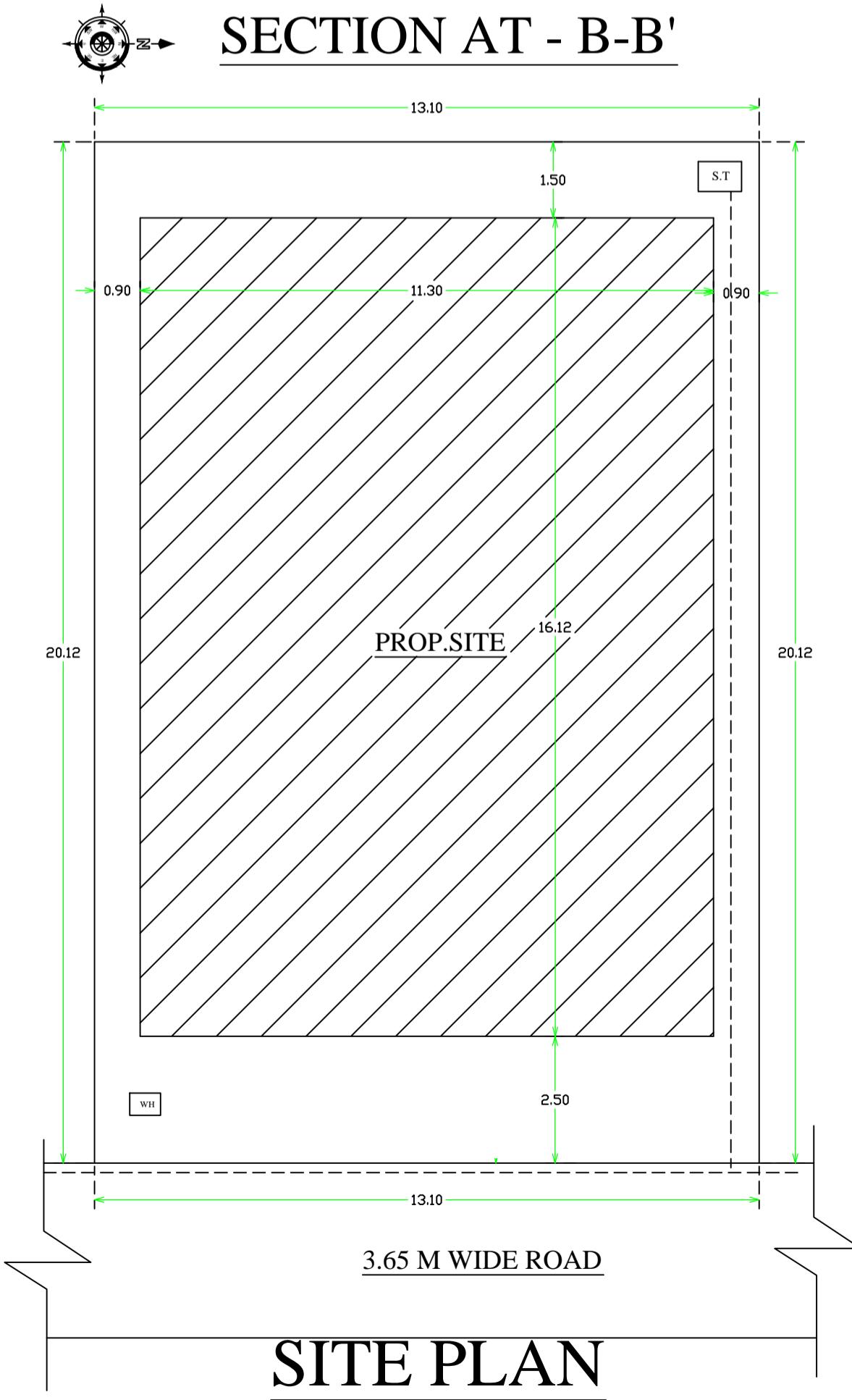
ROOF PLAN



LOCATION PLAN



KEY PLAN
SCALE=1'=330'



SITE PLAN

TITLE OF DRAWING

PROPOSED RESIDENTIAL BUILDING PLAN OF sri nageshwar mahto 2_SRI radhey shyam mahto s/o sri nehal chand mahto of mouza-bhawanipur ps-CHAS NO-52 PARGANA khaspel DIST-BOKARD (JHARKHAND) UNDER SURVEY- KHATA NO-124/224 PLOT NO- 2326 AREA----- 6.50 DEC

BRIEF SPACEFICATION

FOUNDATION-----CEMENT CONCRETE BRICK WORK IN FOUNDATION & SUPERSTRUCTURE FIRST CLASS BRICK WORK IN CEMENT MOR.(1:6) D.P.C.--1" D.P.C. IN CEMENT CON. (1:2:4) FLOOR-----1" I.P.S. OVER 3" P.C.C. ROOF---- --4"THK. R.C.C. ROOF (1:1.5:3) LINTEL-----6"THK. R.C.C. LINTEL (1:1.5:3) STAIRS---- RISE---7", TREAD--- 10" DOORS----D-3'3"X7'0" D1-3'0"X7'0",D2-2'6"X7'0" WINDOWS-----W-4'0"X4'0",W1-3'0"X4'0" VENTS-----V-2'0"X2'0"

STATEMENT OF AREA

TOTAL PLOT AREA-263.57 SQM	BOUNDARIES
GROUND FL. AREA- 182.15 SQM	N- geeta devi
FIRST FL. AREA- 182.15 SQM	S- nageswar mahto
TOTAL COV. AREA--364.30 SQM	E- 3.66 m wide road
% OF COV ----- 69.10%	W- Jagdish mahto
FAR ----- 1.38	

DRG NO----- DRAWN BY-----

SIGNATURE OF OWNERS SIGNATURE OF ENGINEERS