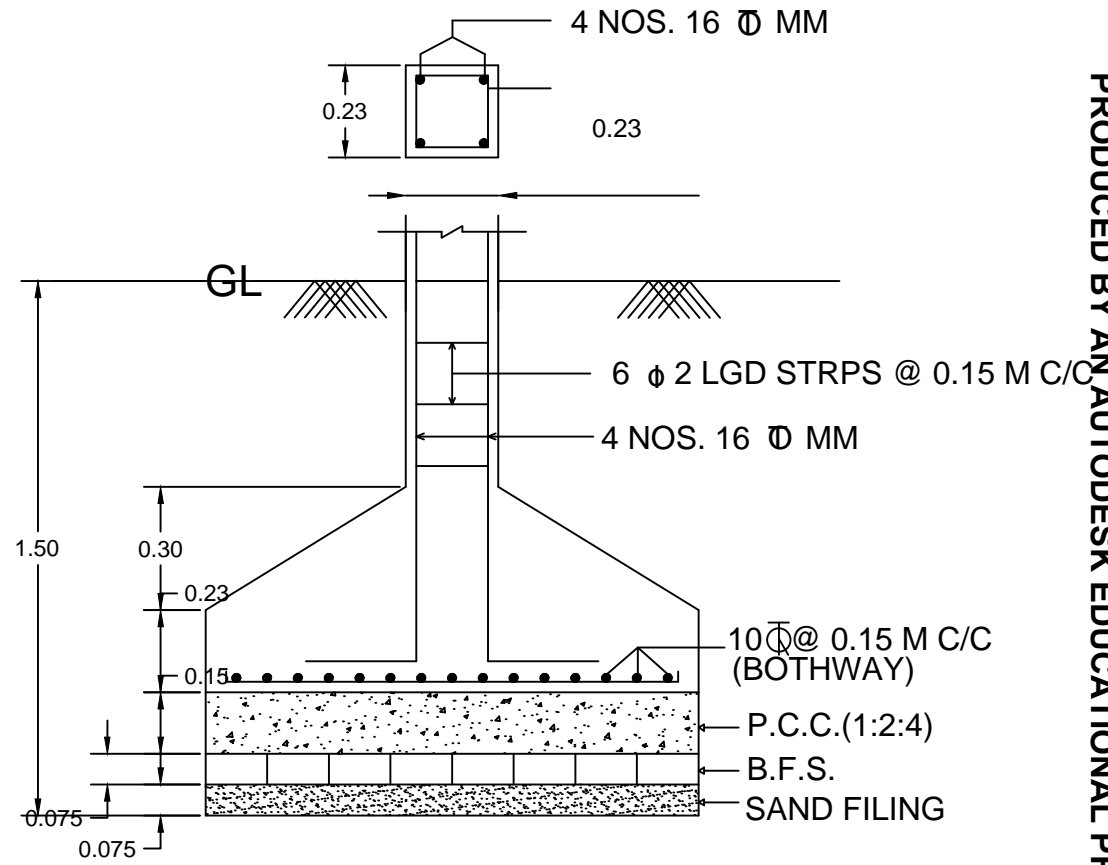


PLAN



SECTION ON C-C'

DETAILS OF COLUMN FOUNDATION