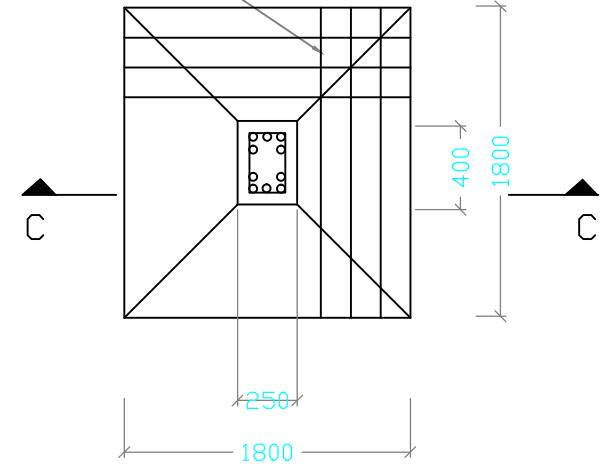


**SECTION -CC**  
(NTS)

12 TDR @ 150 C/C BOTH WAY  
R.C.C. JALI



**DETAIL OF FOUNDATION**  
(NTS)