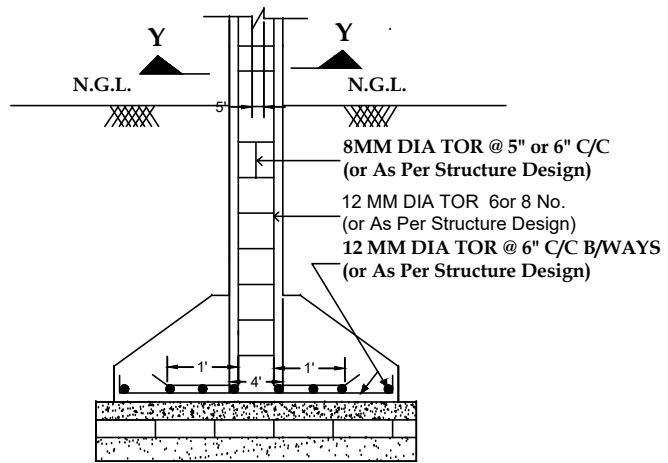
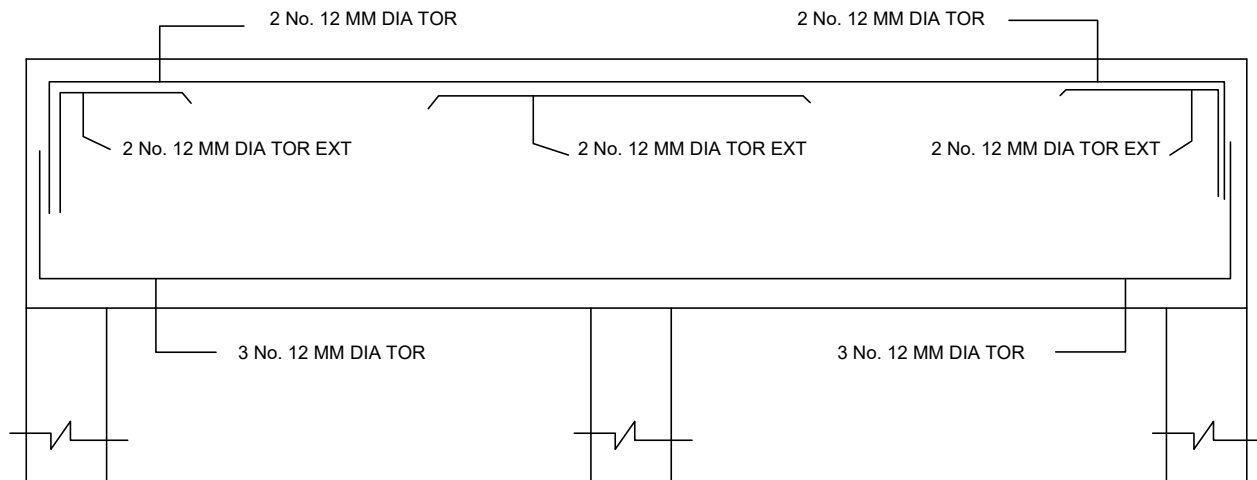
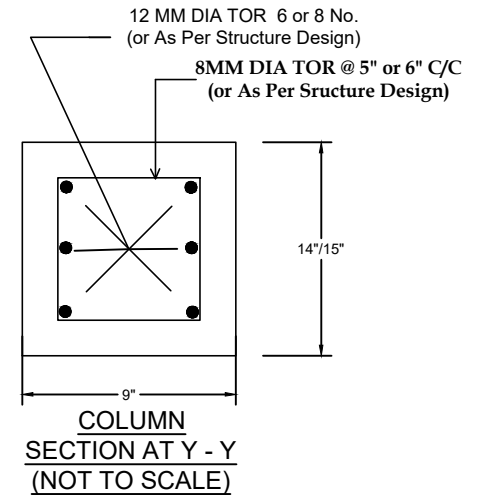


PLAN
DET. OF FOUNDATION
(SCALE - 1 : 24)



SECTION AT X - X
(SCALE - 1 : 24)



TYP. SECTION OF PLINTH BEAM / ROOF BEAM (NOT TO SCALE)