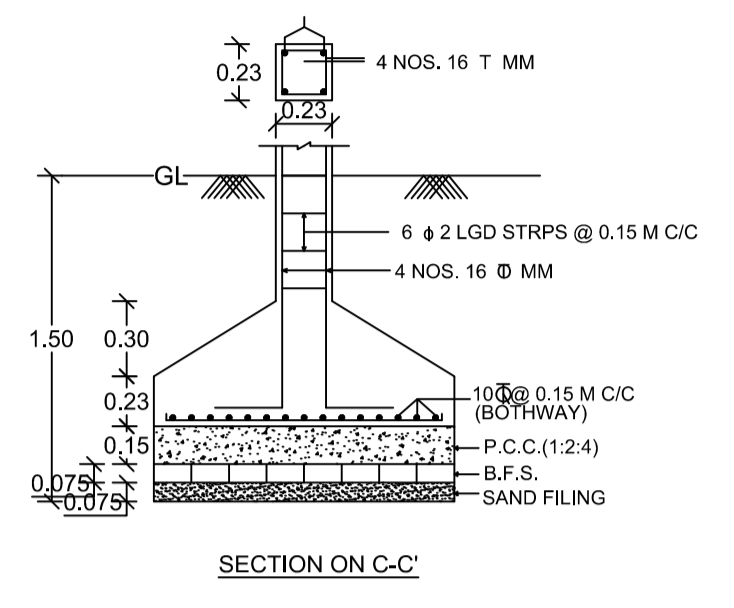
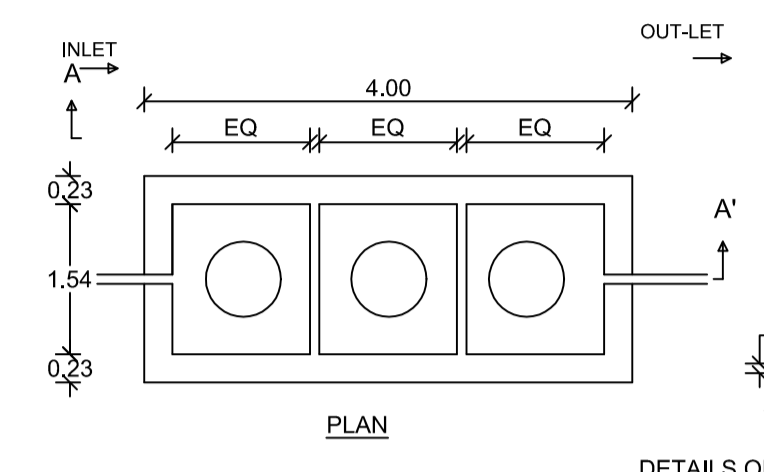


DETAILS OF FOUNDATION

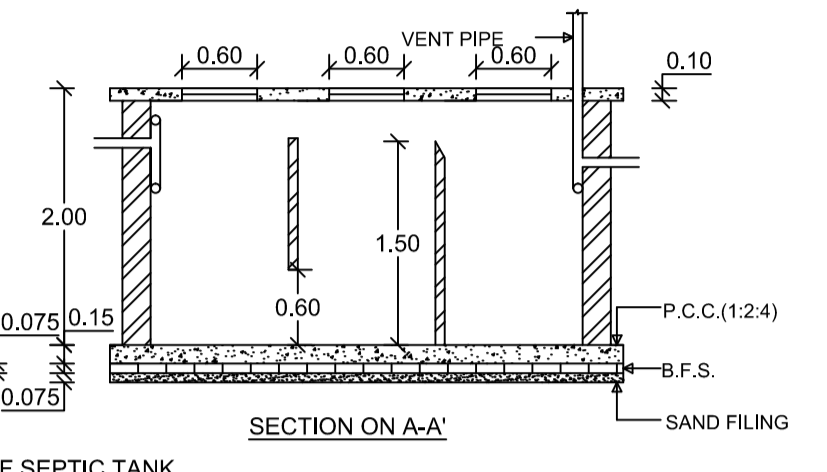


SECTION ON C-C'

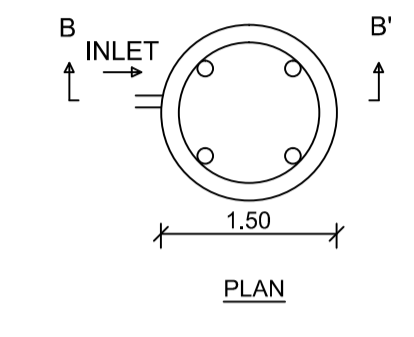


PLAN

DETAILS OF SEPTIC TANK

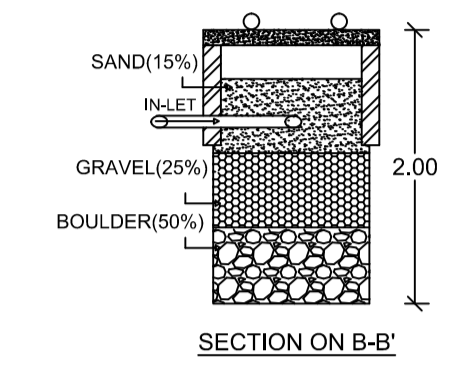


SECTION ON A-A'

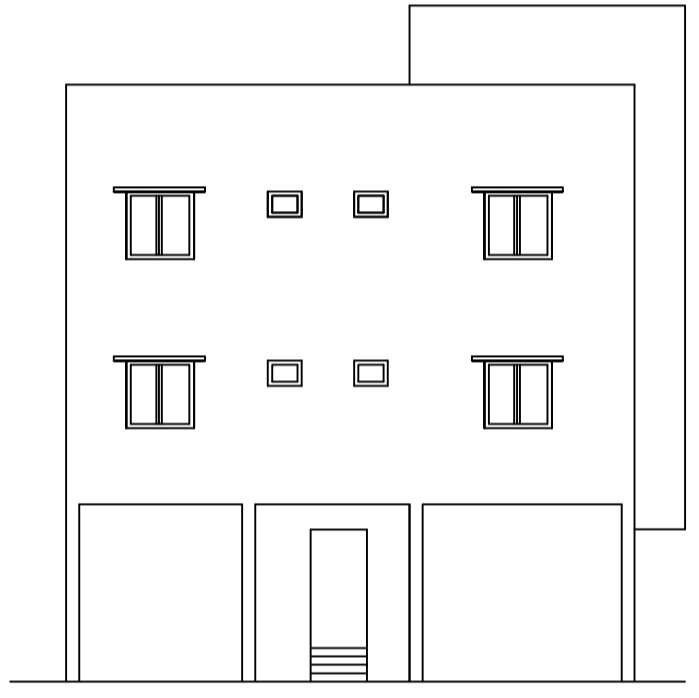


PLAN

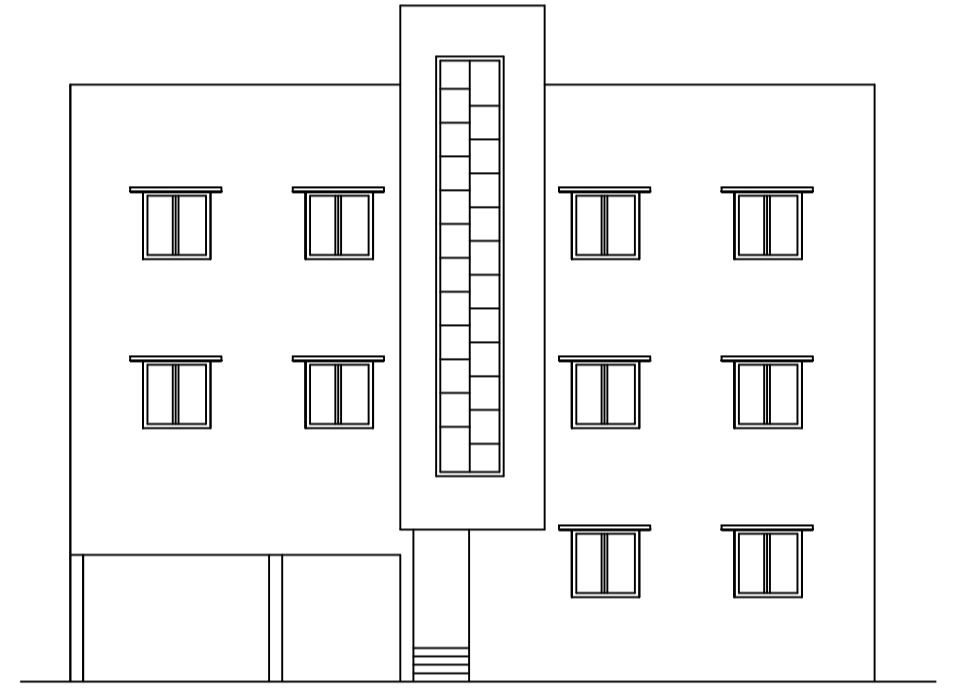
DETAILS OF WATER HARVESTING



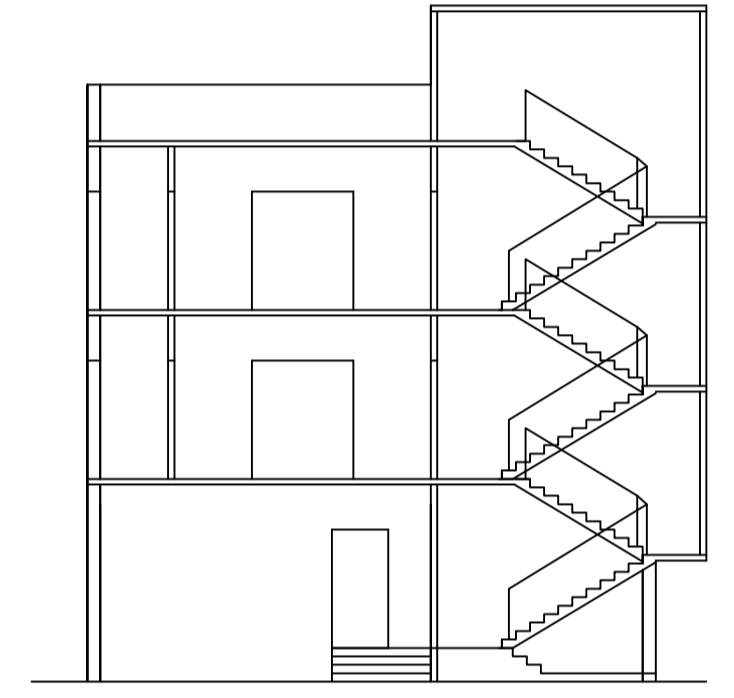
SECTION ON B-B'



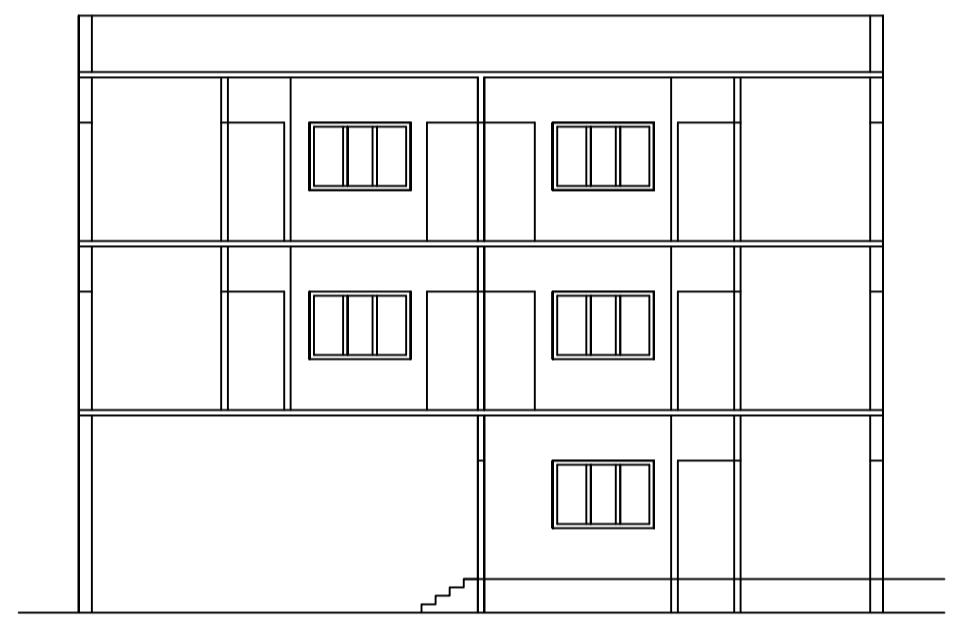
FRONT ELEVATION



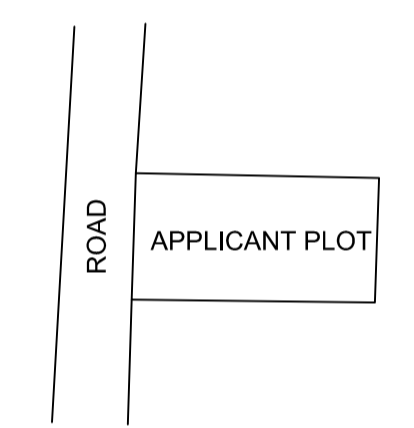
RIGHT SIDE ELEVATION



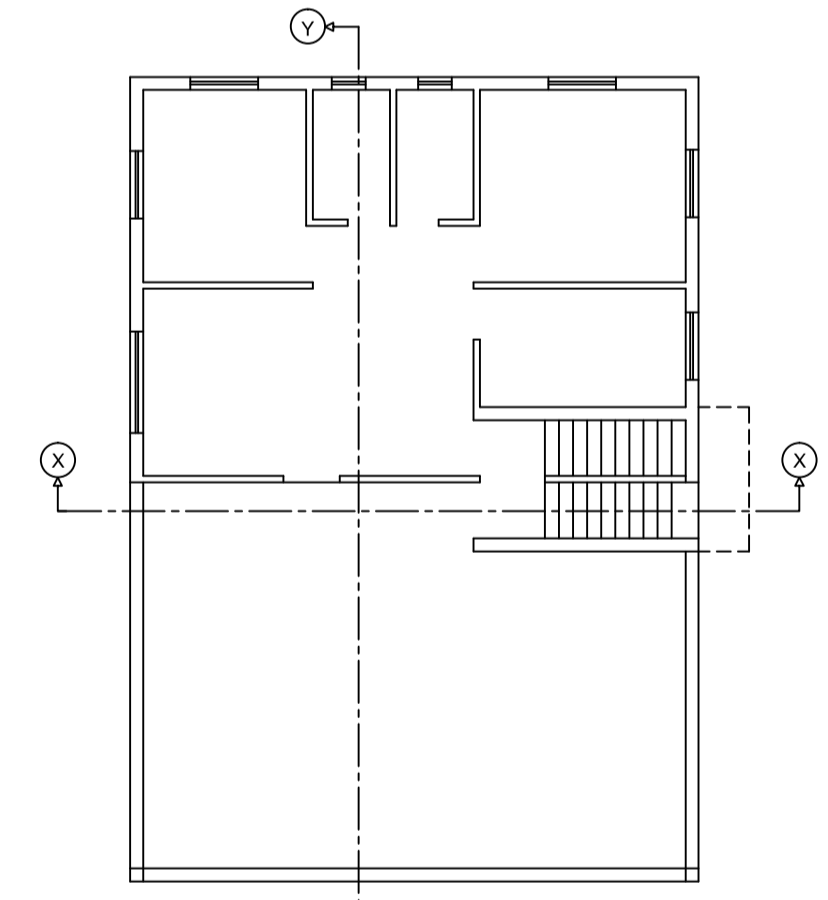
SECTION ON X-X



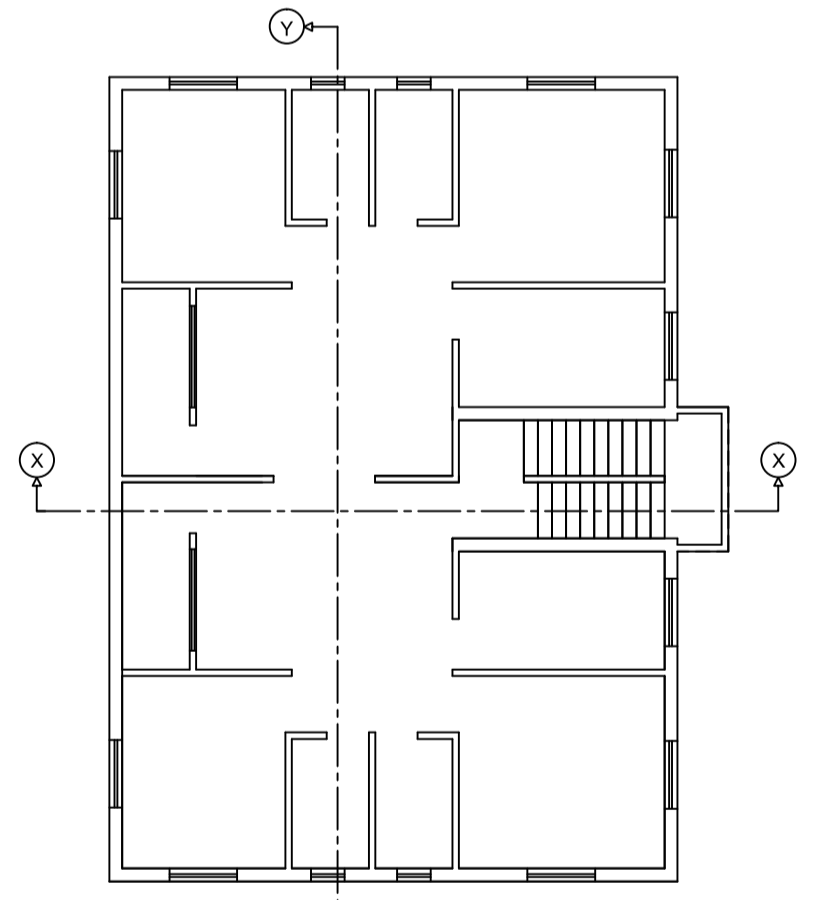
SECTION ON Y-Y



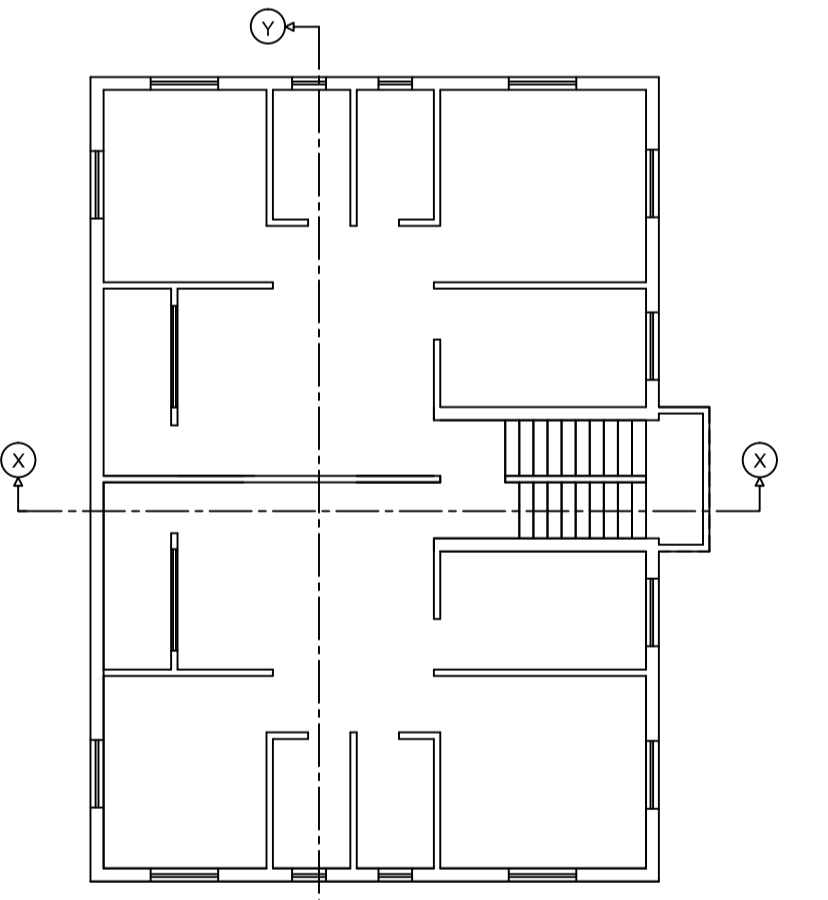
LOCATION PLAN



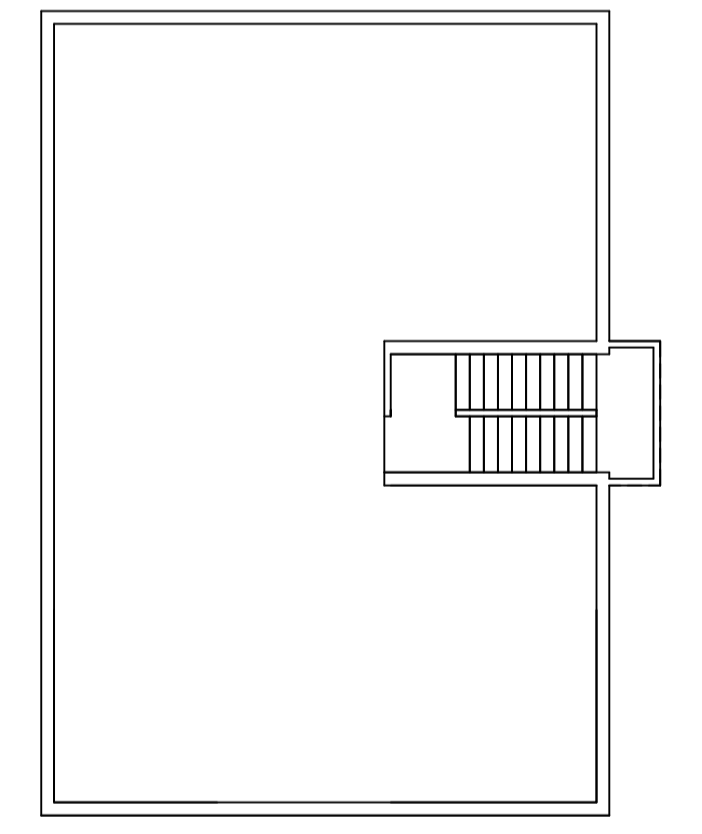
GROUND FLOOR PLAN



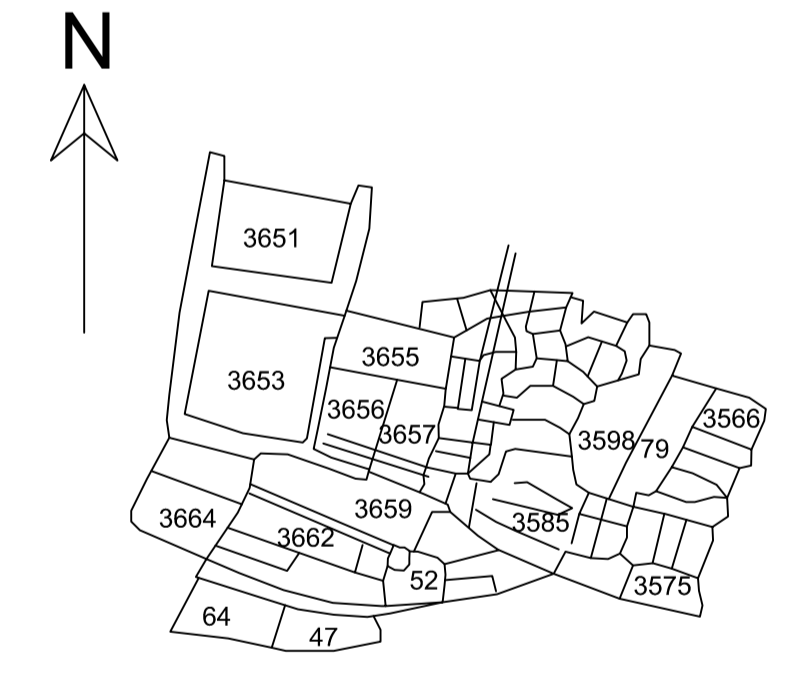
FIRST FLOOR PLAN



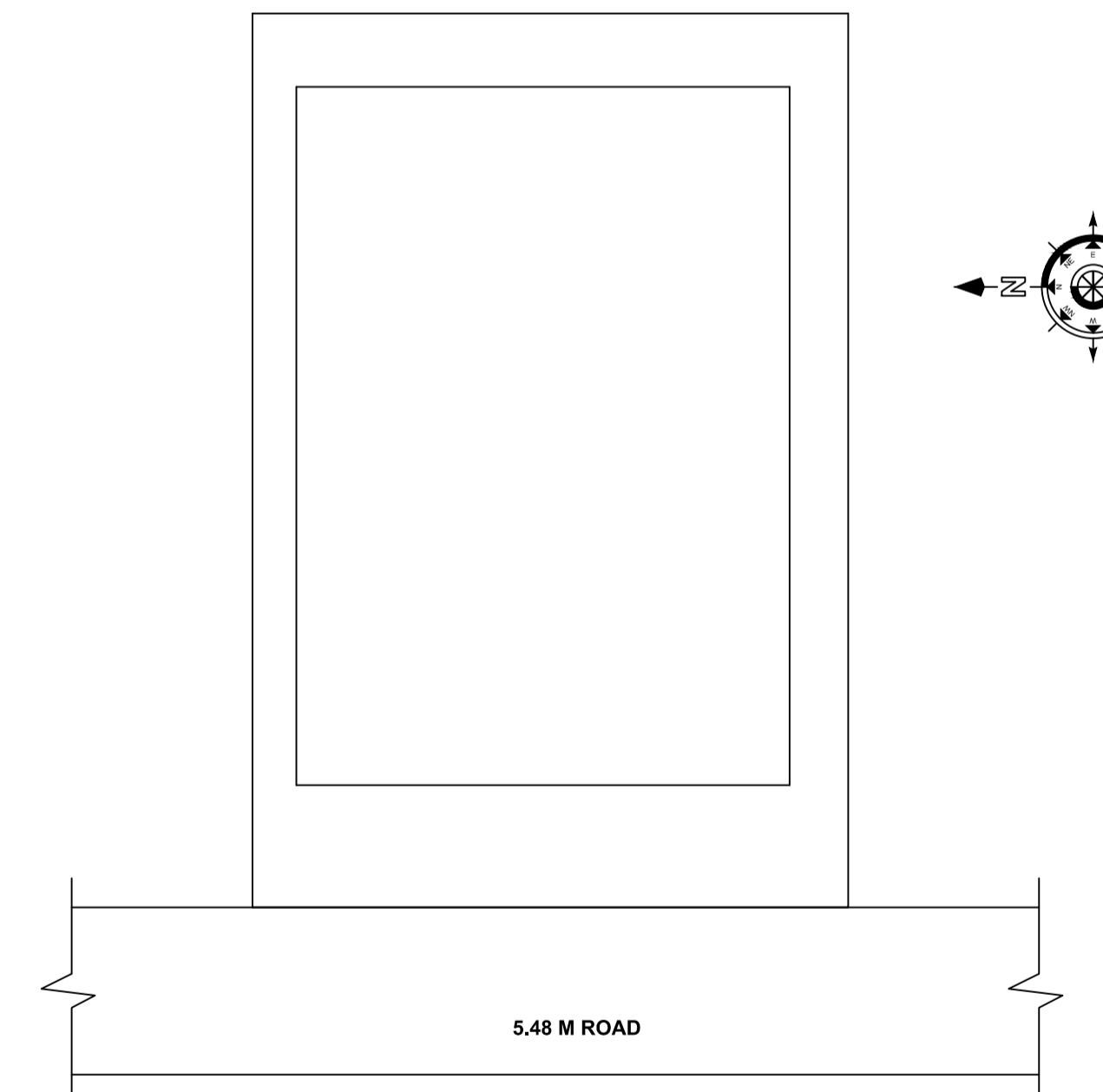
SECOND FLOOR PLAN



TERRACE FLOOR PLAN



KEY PLAN



5.48 M ROAD

SITE PLAN