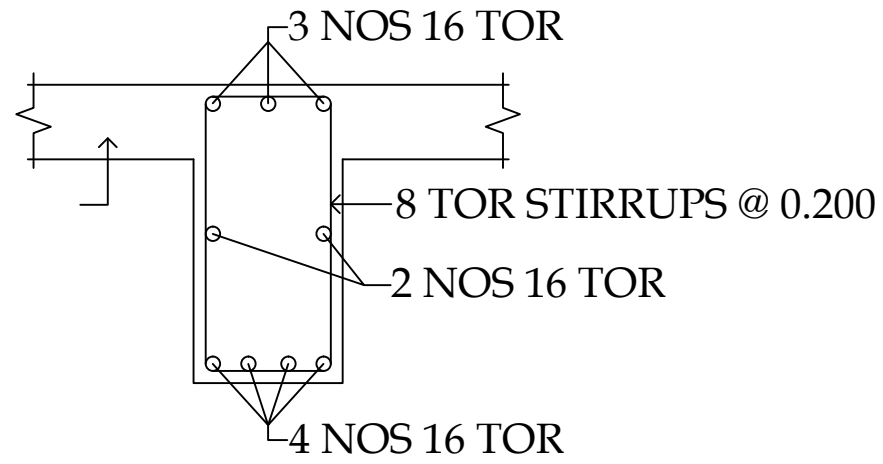
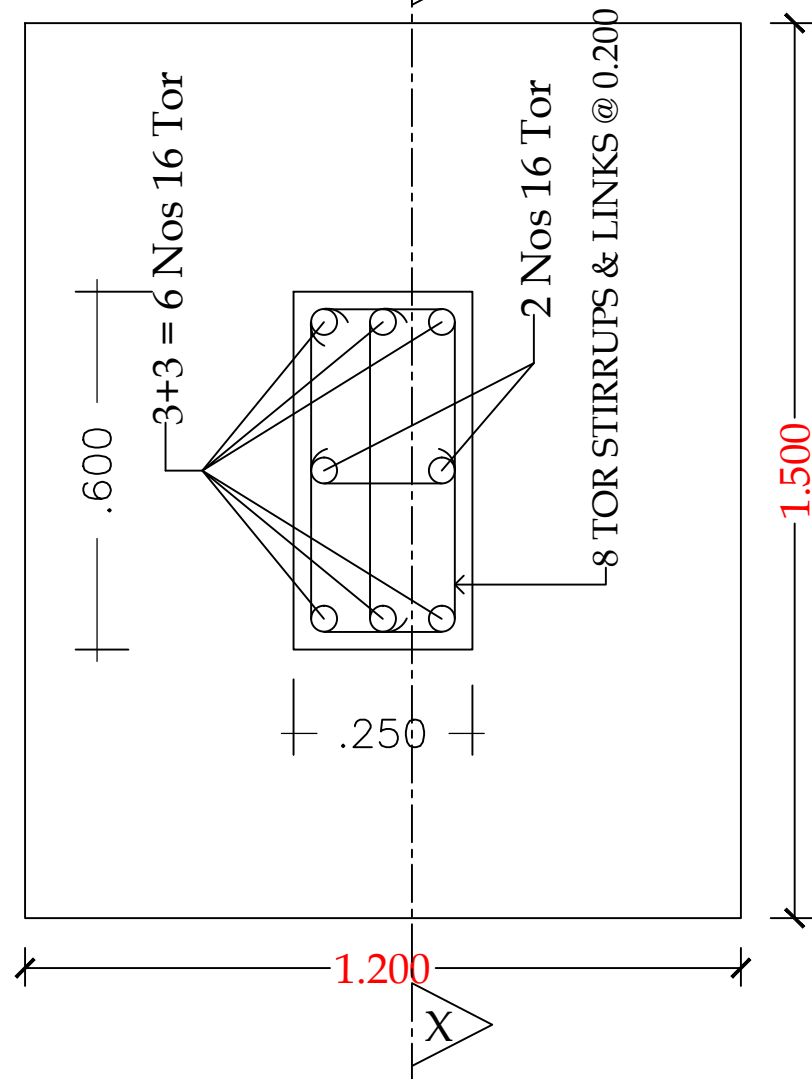


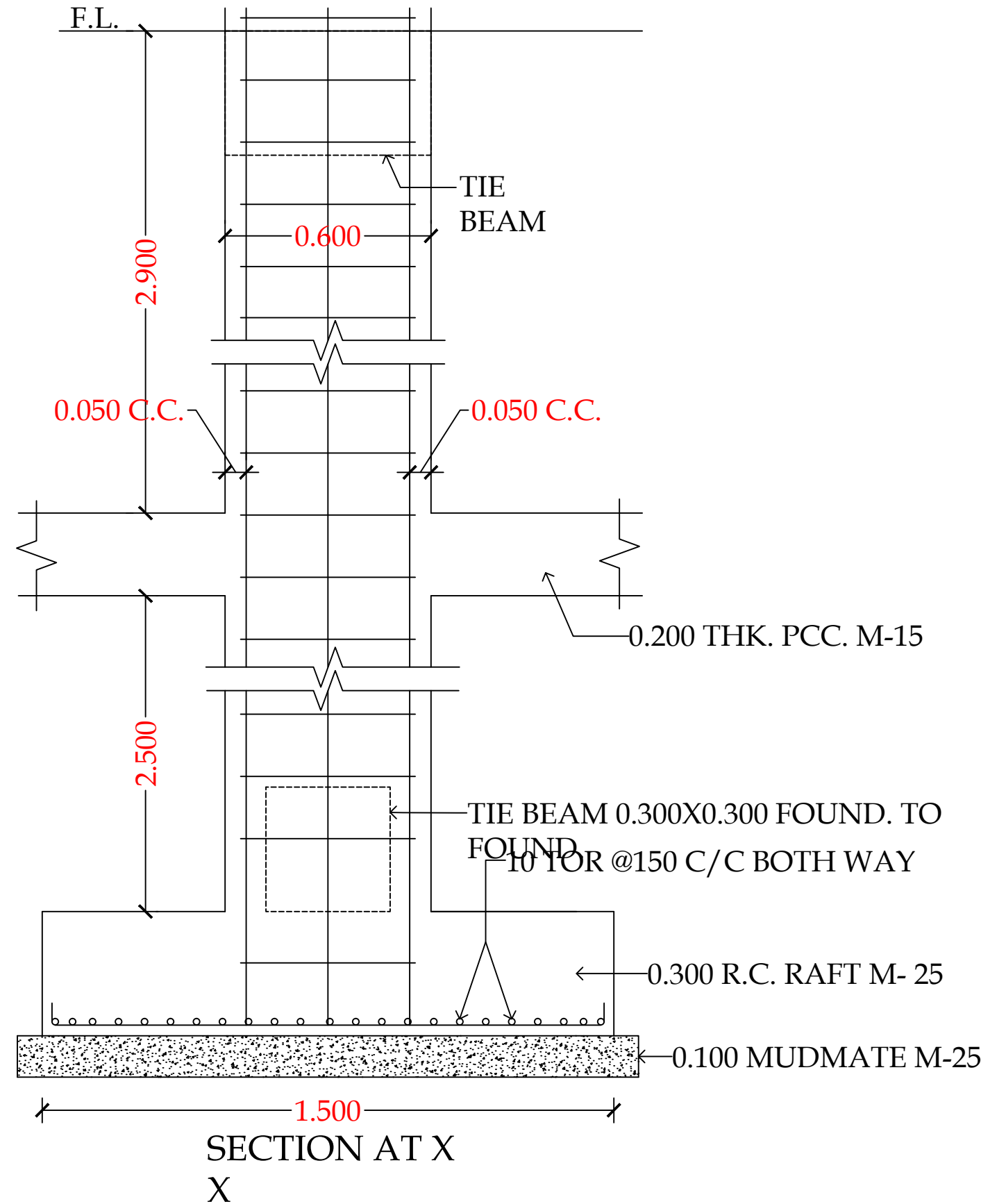
0.125 THK. RCC.
SALB



CROSS SECTION
BEAM



COLUMN FOUNDATION
PLAN



SECTION AT X
X