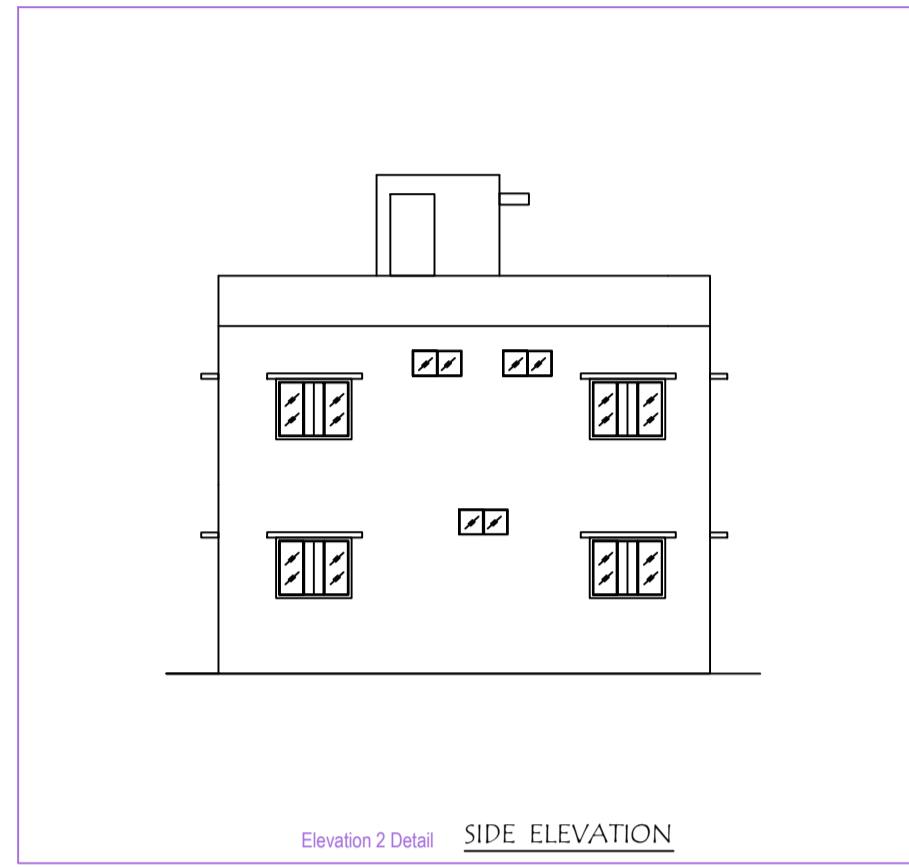
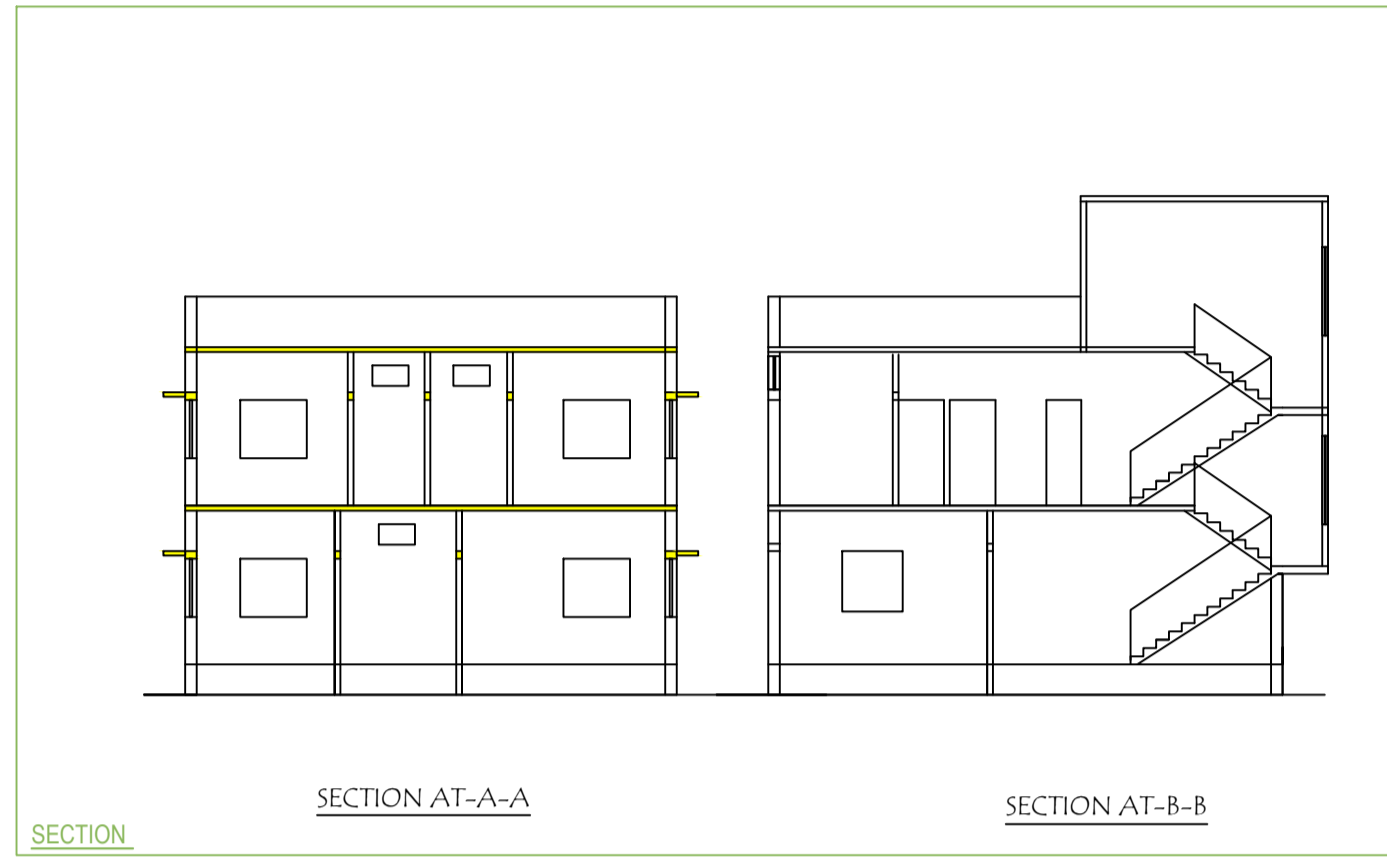


Elevation 1 Detail  
FRONT ELEVATION



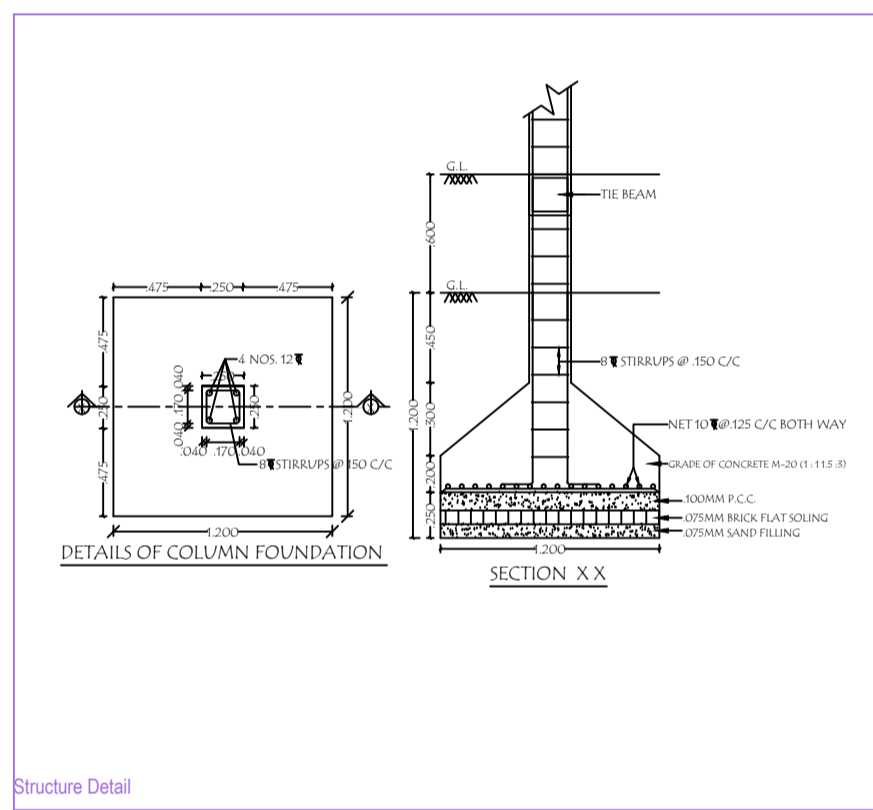
Elevation 2 Detail  
SIDE ELEVATION



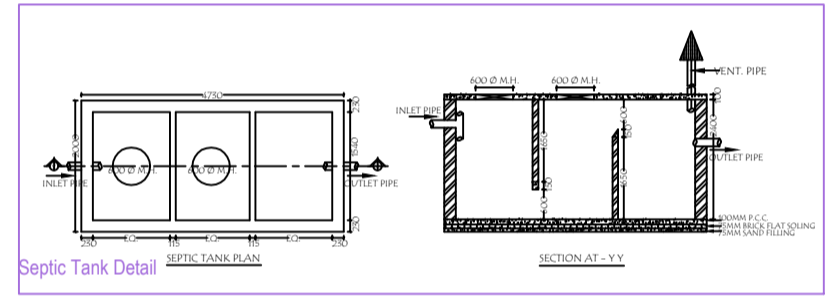
SECTION  
SECTION AT-A-A SECTION AT-B-B



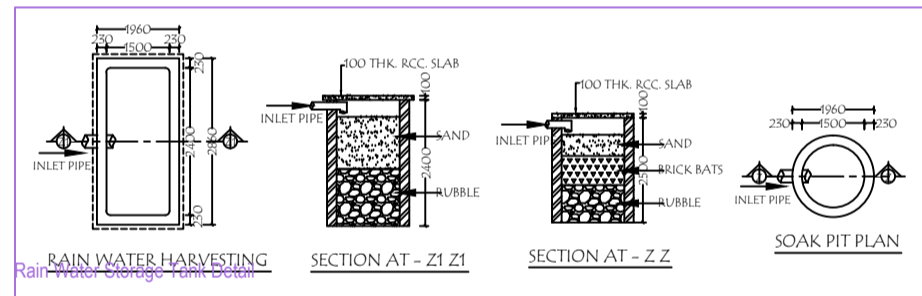
Key Plan



Structure Detail  
DETAILS OF COLUMN FOUNDATION SECTION XX



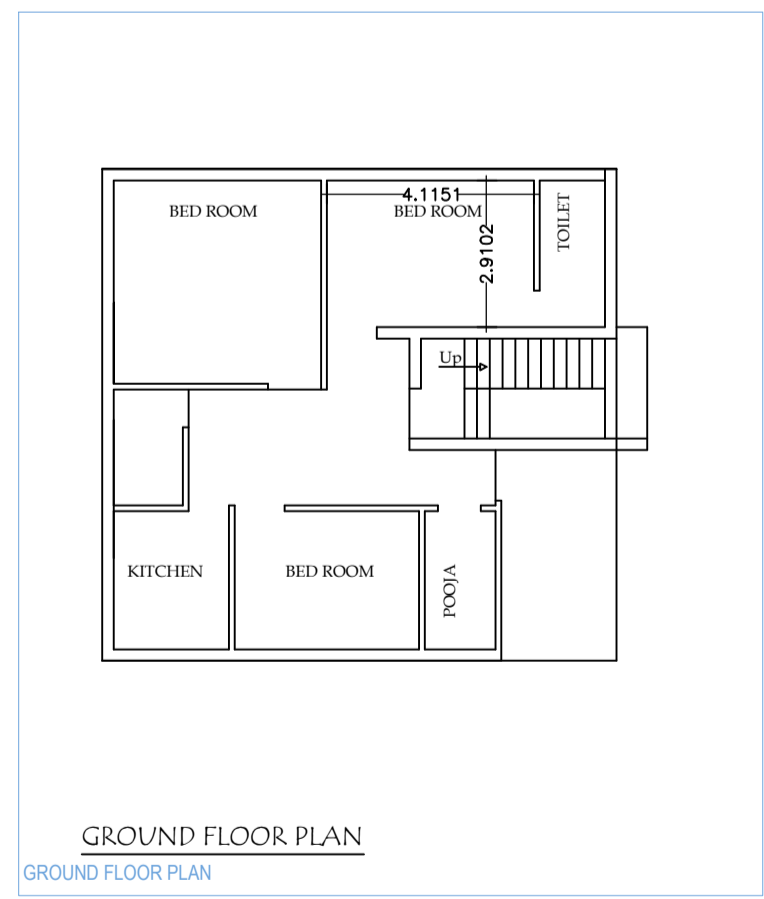
Septic Tank Detail  
SECTION AT - Y Y



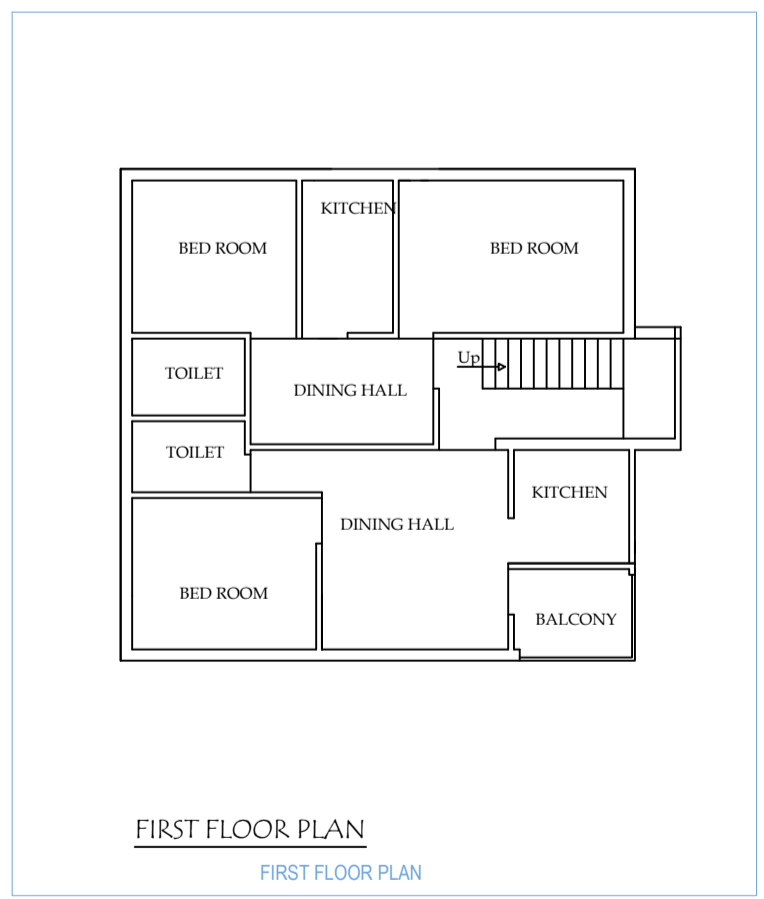
RAIN WATER HARVESTING SECTION AT - Z1 Z1 SECTION AT - Z Z SOAK PIT PLAN



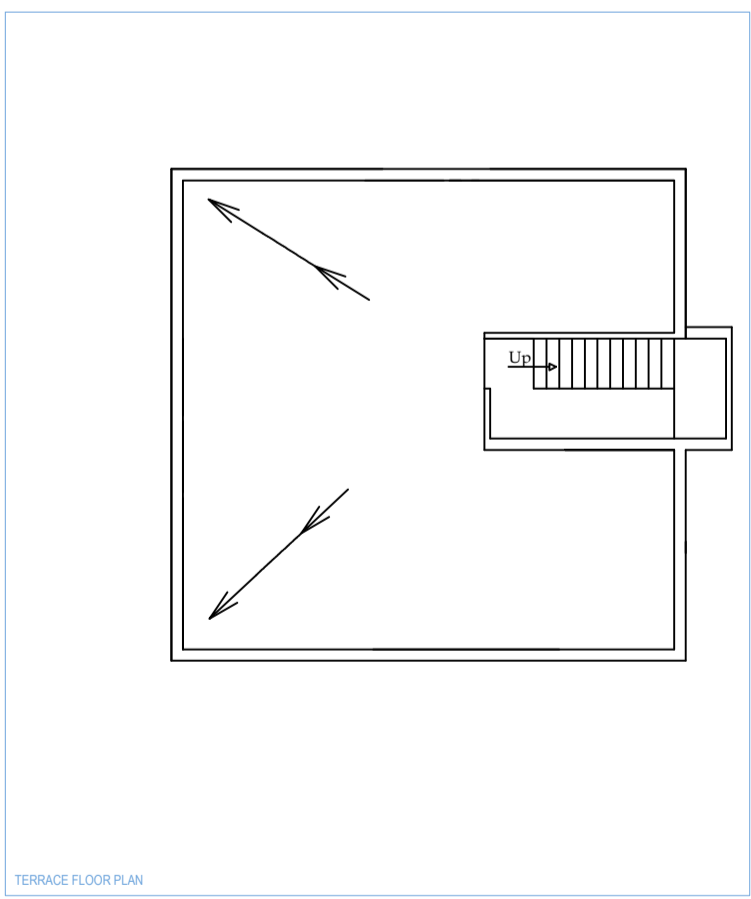
Location Plan



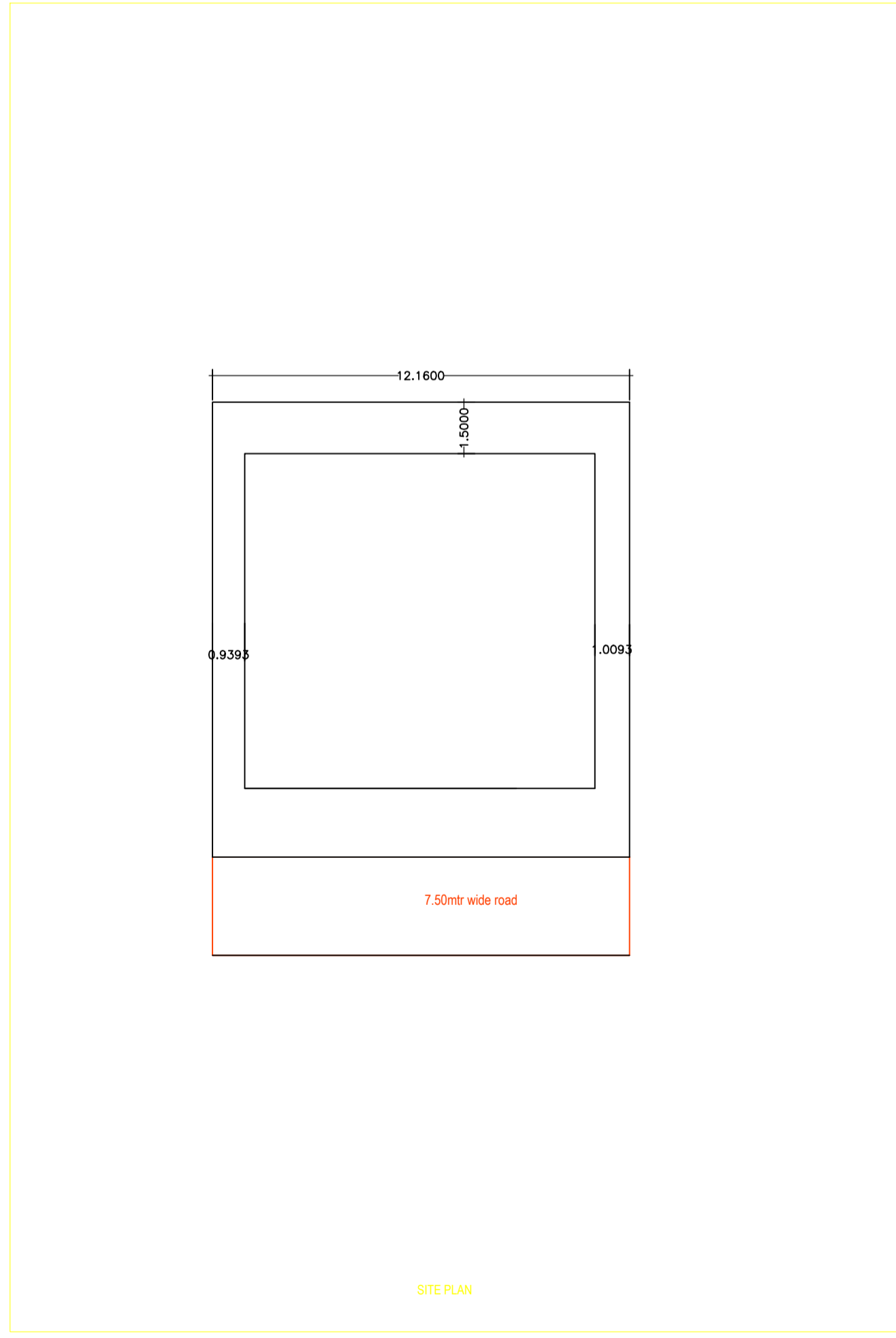
GROUND FLOOR PLAN  
GROUND FLOOR PLAN



FIRST FLOOR PLAN  
FIRST FLOOR PLAN



TERRACE FLOOR PLAN



SITE PLAN