

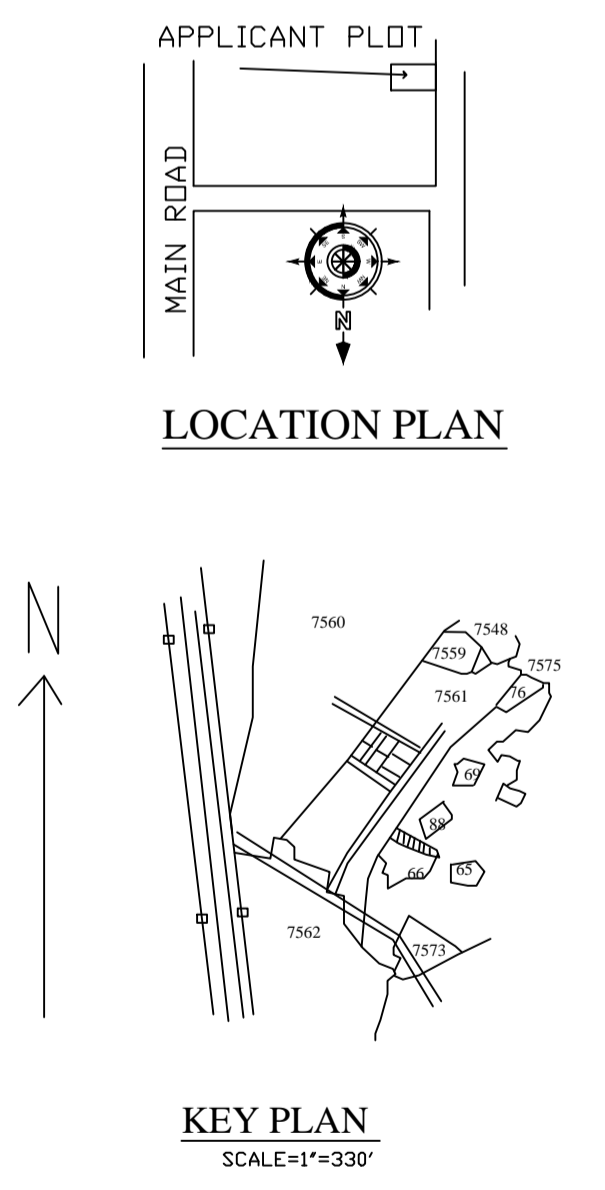
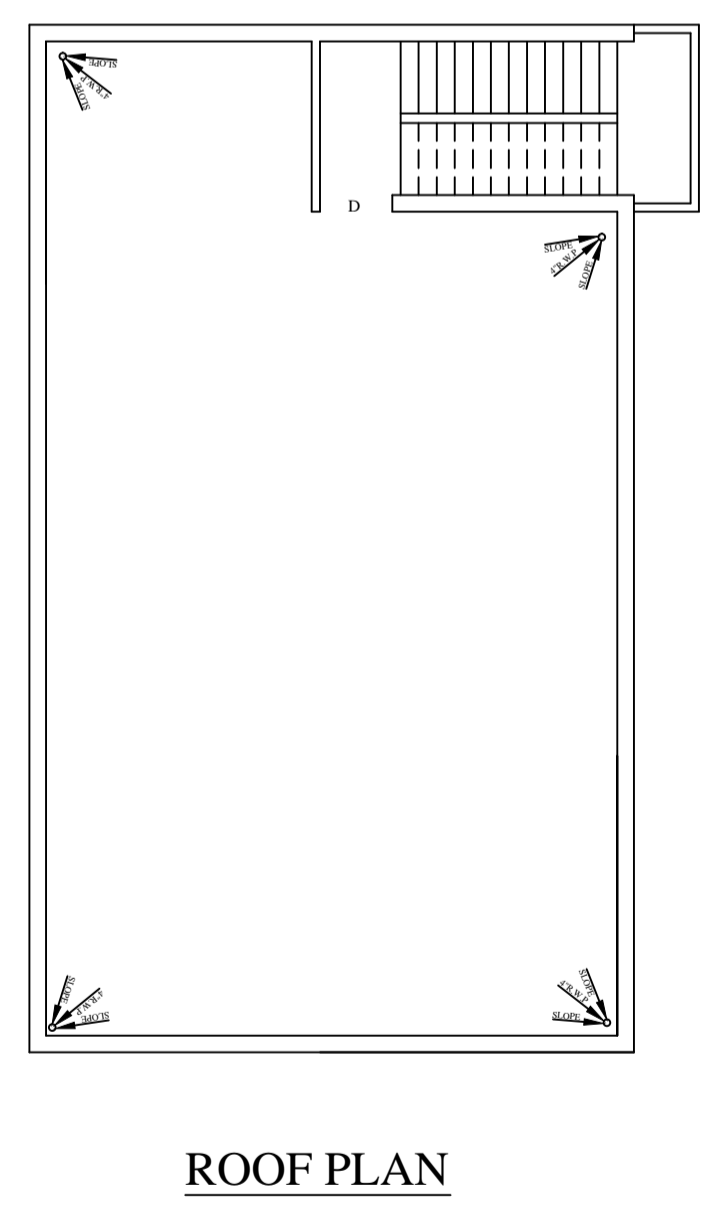
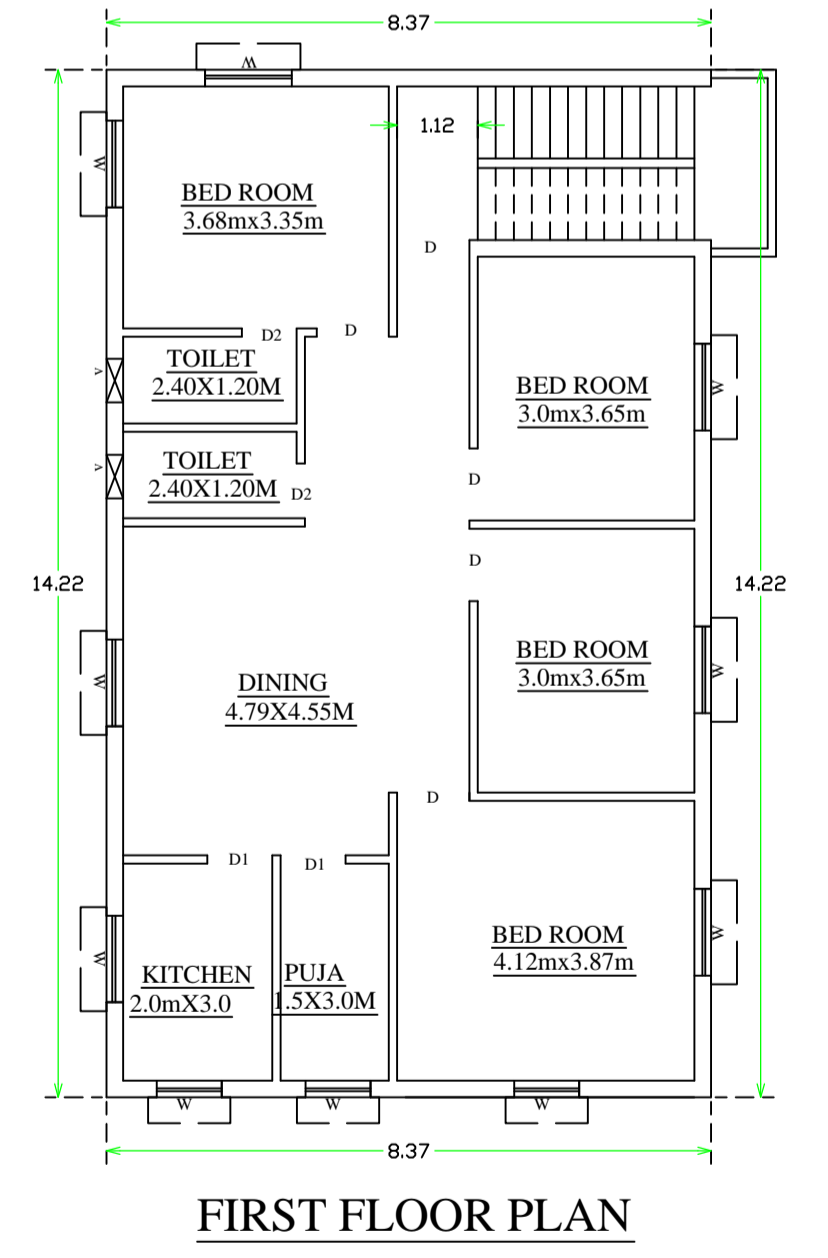
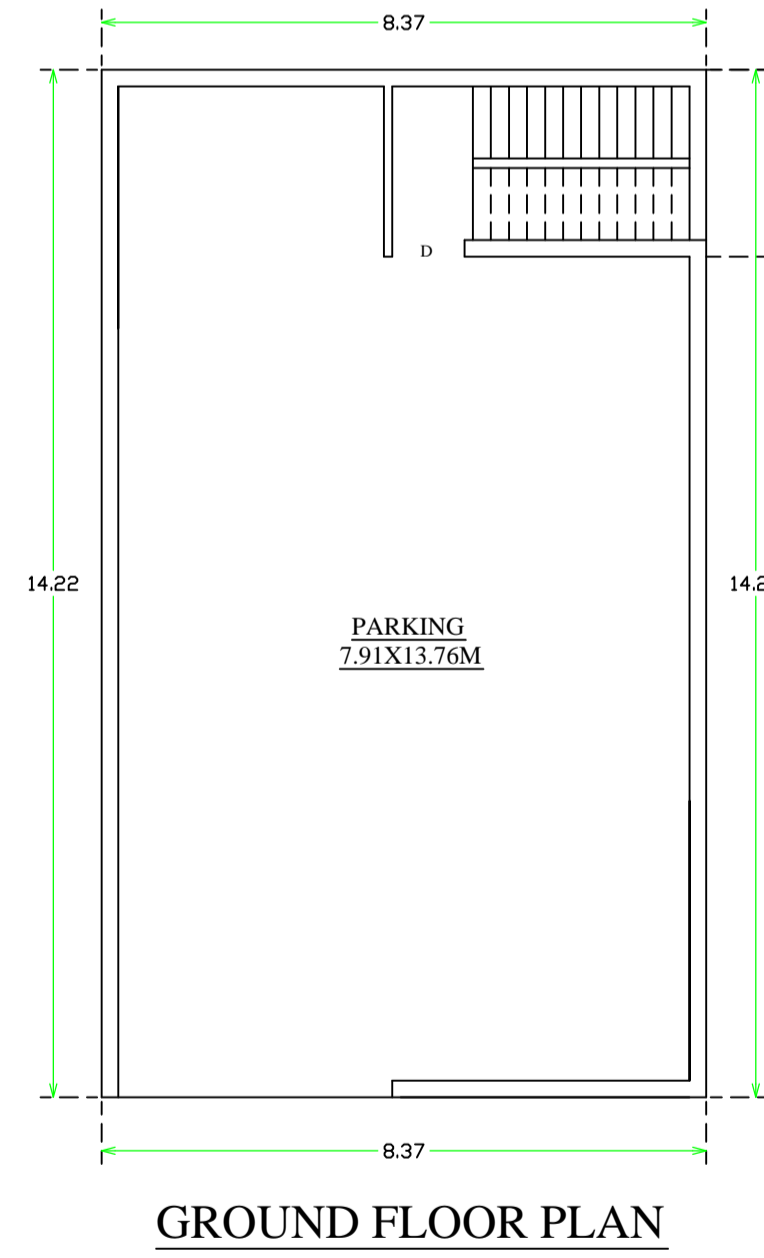
TITLE OF DRAWING
 PROPOSED RESIDENTIAL BUILDING PLAN OF SMT KANTI DEVI W/O SRI ANANDI KUMAR MAHATHA IN MOUZA-CHAS THANA-CHAS THANA NO-30 PARGANA-KHASPEL DIST-BOKARO (JHARKHAND) UNDER SURVEY- KHATA NO-705 PLOT NO- 7561 AREA----- 5.3/8 DEC

BRIEF SPECIFICATION
 FOUNDATION-----CEMENT CONCRETE
 BRICK WORK IN FOUNDATION & SUPERSTRUCTURE
 FIRST CLASS BRICK WORK IN CEMENT MOR.(1:6)
 D.P.C.---1" D.P.C. IN CEMENT CON. (1:2:4)
 FLOOR-----1" I.P.S. OVER 3" P.C.C.
 ROOF-----4"THK. R.C.C. ROOF (1:1.5:3)
 LINTEL-----6"THK. R.C.C. LINTEL (1:1.5:3)
 STAIRS---- RISE---7", TREAD--- 10"
 DOORS----D-3'3"x7'0" D1-3'0"x7'0",D2-2'6"x7'0"
 WINDOWS-----W-4'0"x4'0",W1-3'0"x4'0"
 VENTS-----V-2'0"x2'0"

STATEMENT OF AREA

TOTAL PLOT AREA-219.47 SQM	BOUNDARIES
GROUND FL. AREA- 119.02 SQM	N- C MARKED PLOT
FIRST FL. AREA- 119.02 SQM	S- SHARMA JE LAND
TOTAL COV. AREA-238.04 SQM	E- 4.57 M WIDE ROAD
% OF COV ----- 54.23%	W- VENDER NJJ
FAR ----- 1.08	

DRG NO----- DRAWN BY-----
 SIGNATURE OF OWNERS SIGNATURE OF ENGINEERS



SITE PLAN

