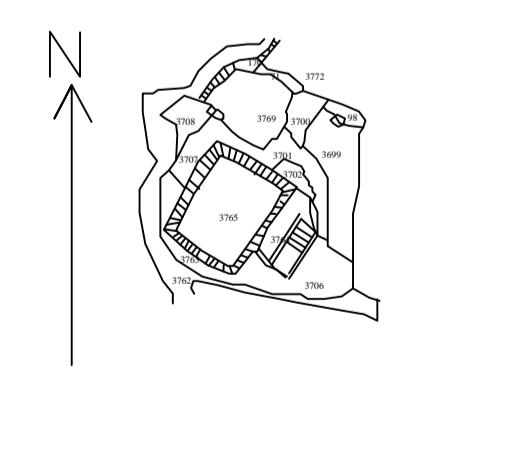
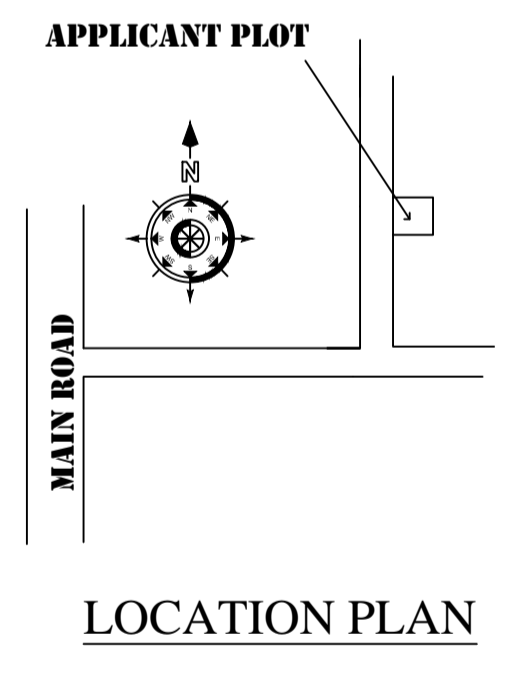
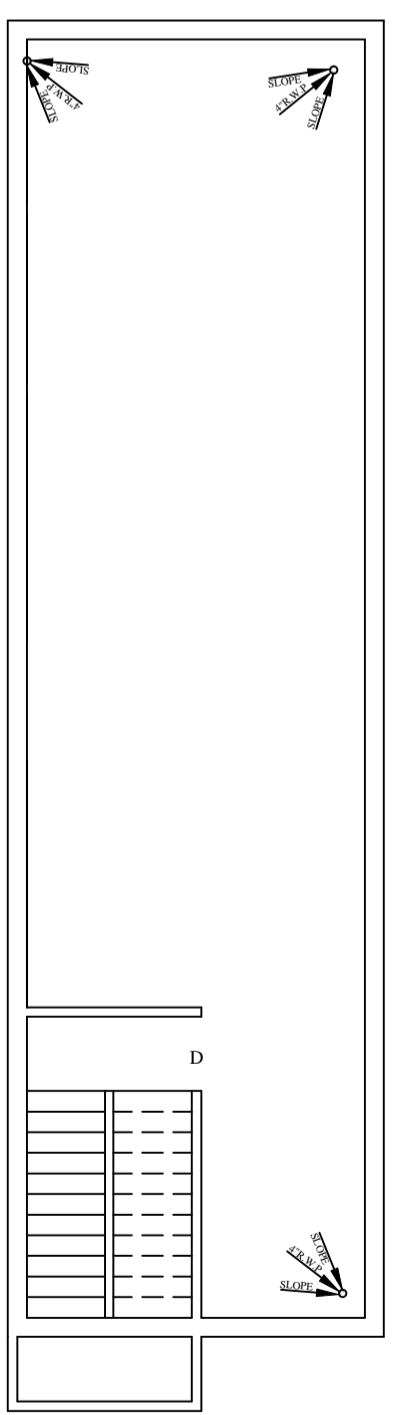
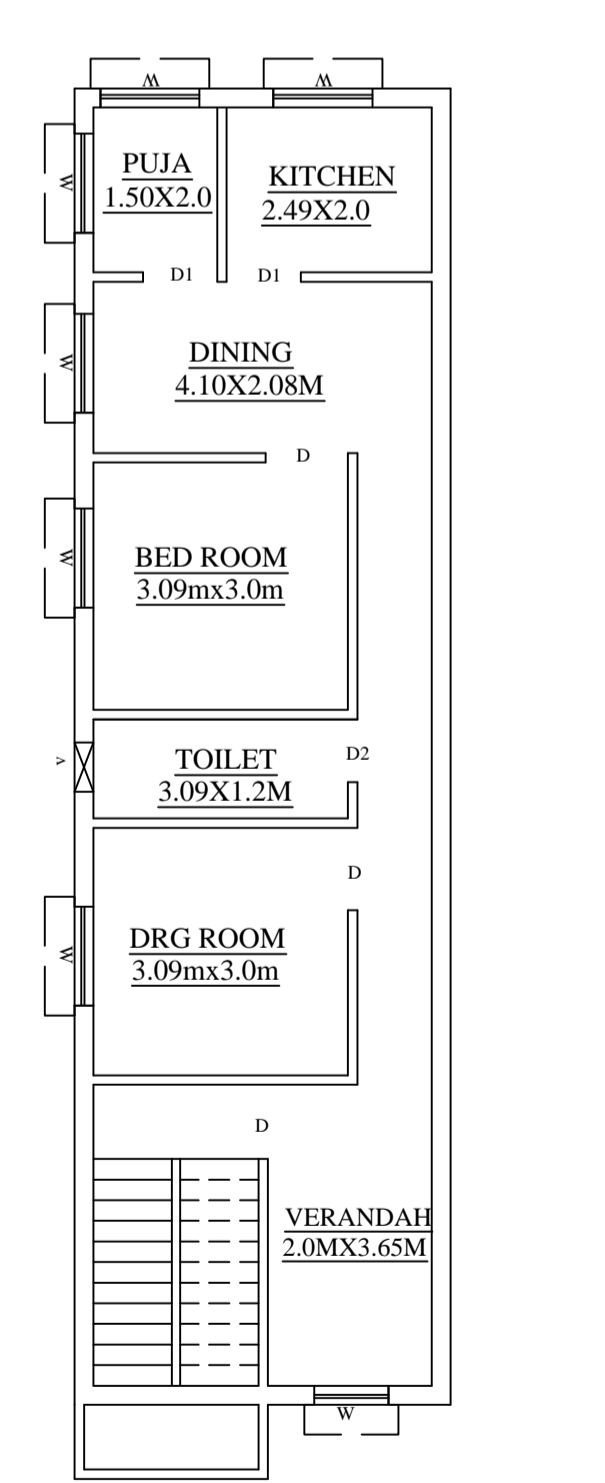
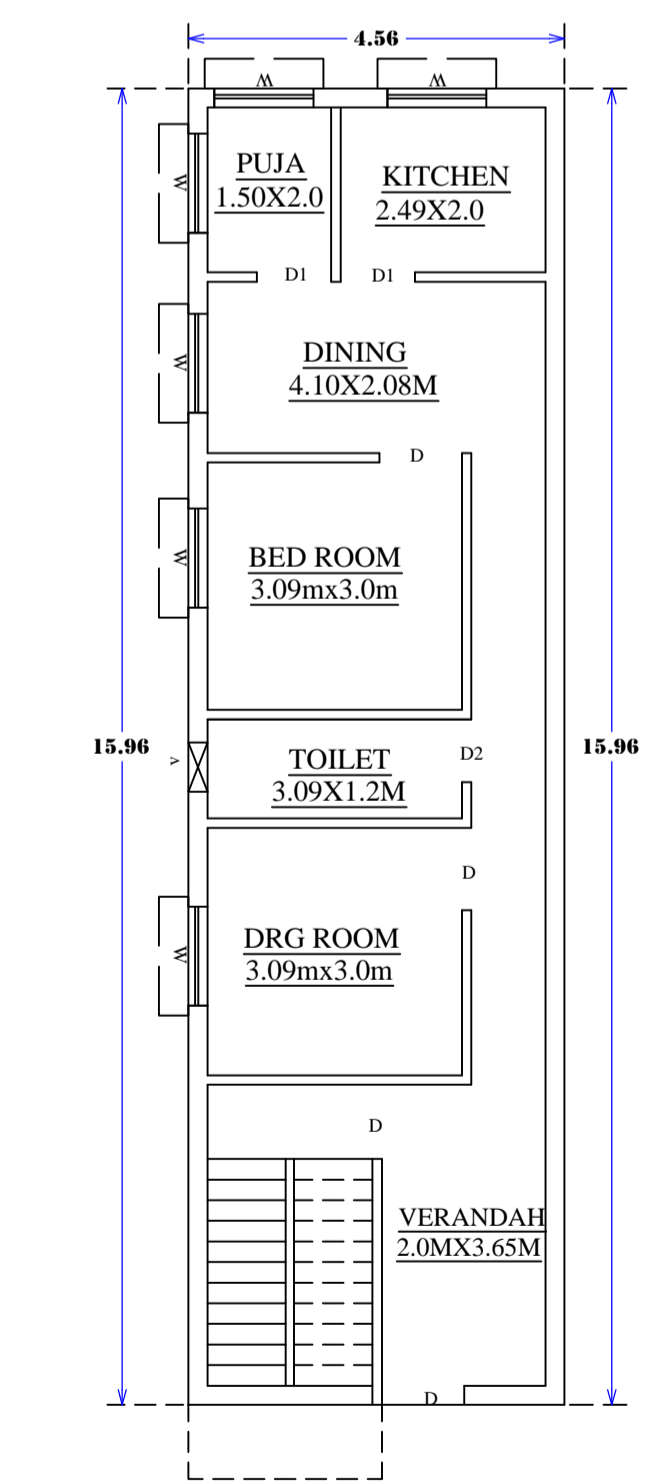


FRONT ELEVATION

SIDE ELEVATION

SECTION AT - A-A'

SECTION AT - B-B'



SITE PLAN

TITLE OF DRAWING

PROPOSED RESIDENTIAL BUILDING PLAN OF SRI SACHIN KR JAISWAL S/O SRIPRAVIN JAISWAL IN MOUZA-CHAS THANA-CHAS THANA NO-30 PARGANA-KHASPEL DIST-BOKARO (JHARKHAND) UNDER SURVEY-KHATA NO-66,104 PLOT NO- 3704,3706 AREA— 2.65 DEC

BRIEF SPACEFICATION

FOUNDATION—CEMENT CONCRETE
 BRICK WORK IN FOUNDATION & SUPERSTRUCTURE
 FIRST CLASS BRICK WORK IN CEMENT MOR. (1:6)
 D.P.C.—1" D.P.C. IN CEMENT CON. (1:2:4)
 FLOOR—1" I.P.S. OVER 3" P.C.C.
 ROOF—4"THK. R.C.C. ROOF (1:1.5:3)
 LINTEL—6"THK. R.C.C. LINTEL (1:1.5:3)
 STAIRS—RISE—7", TREAD—10"
 DOORS—D-3'3"X7'0" D1-3'0"X7'0", D2-2'6"X7'0"
 WINDOWS—W-4'0"X4'0", W1-3'0"X4'0"
 VENTS—V-2'0"X2'0"

STATEMENT OF AREA

TOTAL PLOT AREA-	110.64 SQM	BOUNDARIES
GROUND FL. AREA-	72.77 SQM	N- PRADHAT KR JAISWAL
FIRST FL. AREA-	72.77 SQM	S- SANTOSH KUMAR
TOTAL COV. AREA-	145.55 SQM	E- SAPAN AND DEEPAK
% OF COV	65.77%	W- 4.57 M ROAD
FAR	1.31	

DRG NO- _____ DRAWN BY- _____

SIGNATURE OF OWNERS SIGNATURE OF ENGINEERS

