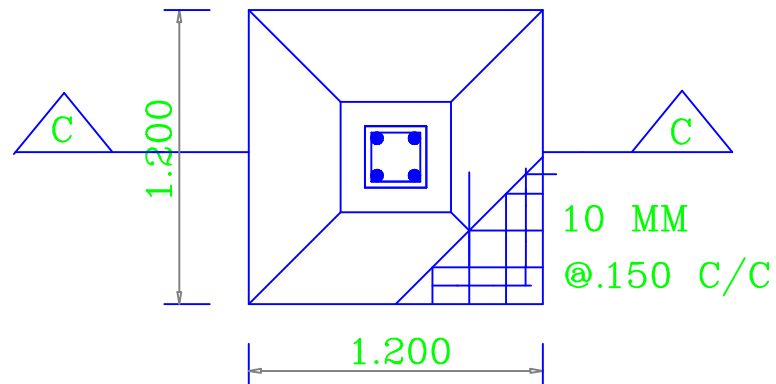


## SECTION C-C



## PLAN

## R.C.C.COLUMN FOUNDN.

(SCALE- 1:50)