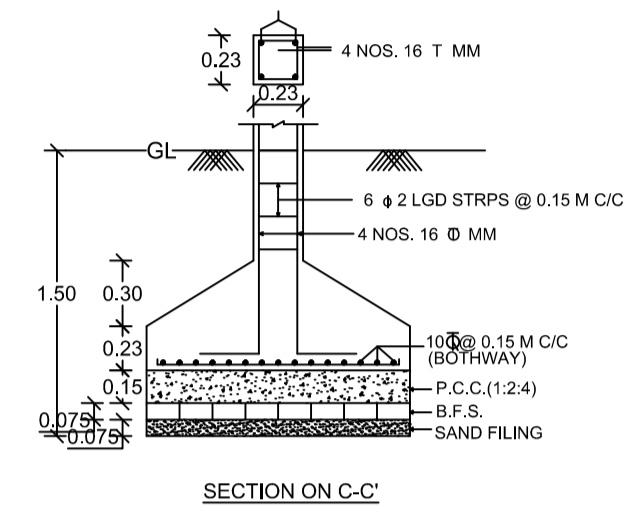
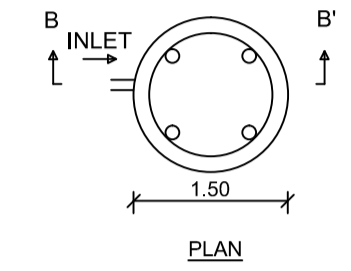


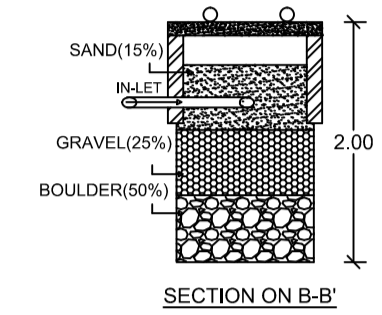
DETAILS OF FOUNDATION



SECTION ON C-C'



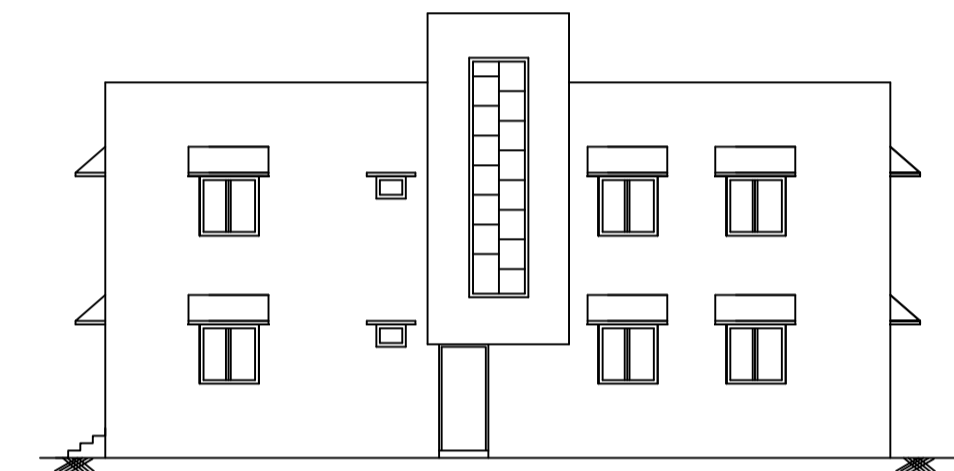
DETAILS OF WATER HARVESTING



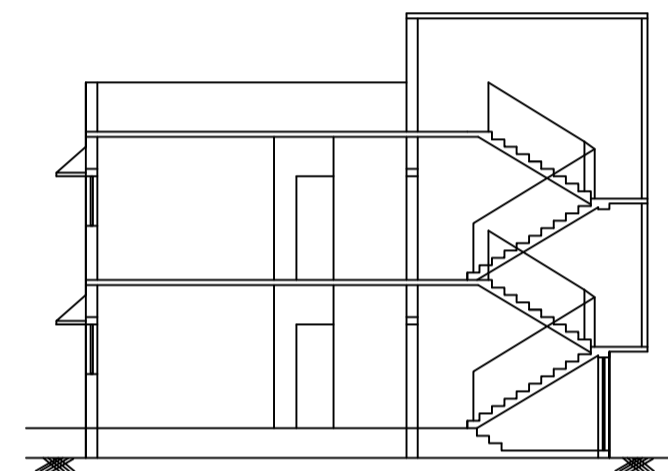
SECTION ON B-B'



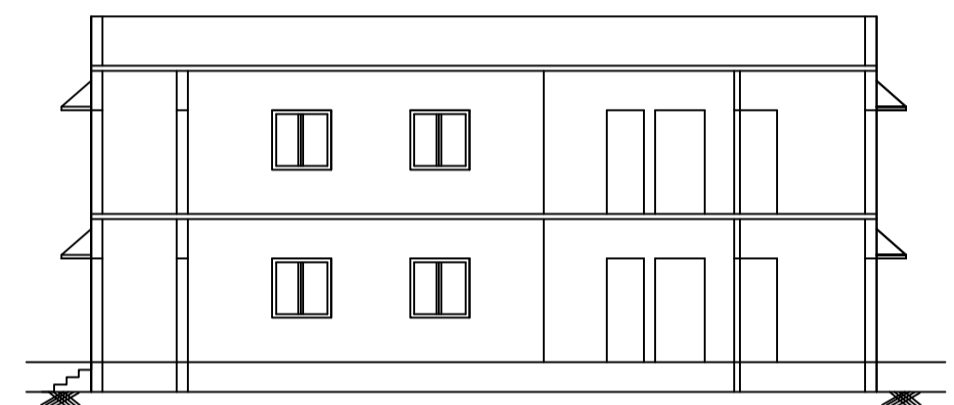
FRONT ELEVATION



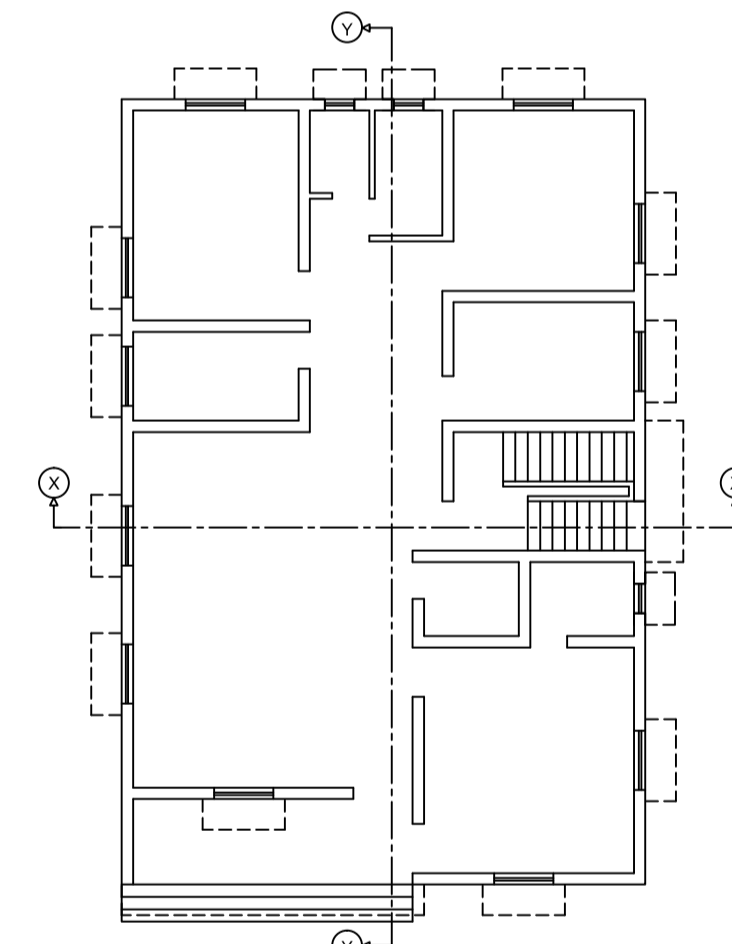
RIGHT SIDE ELEVATION



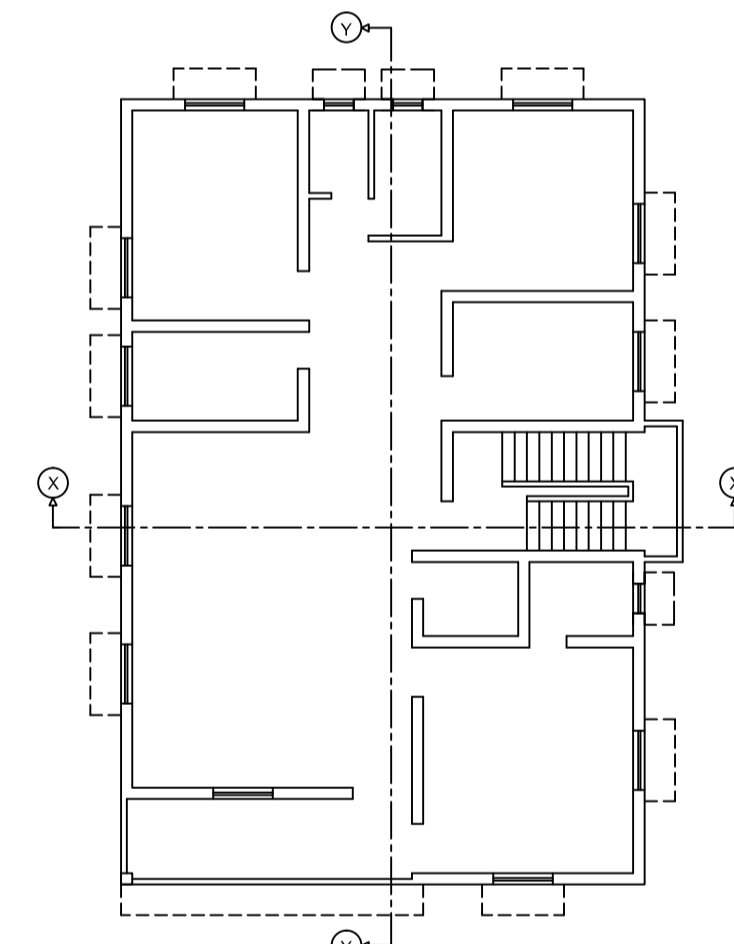
SECTION ON X-X



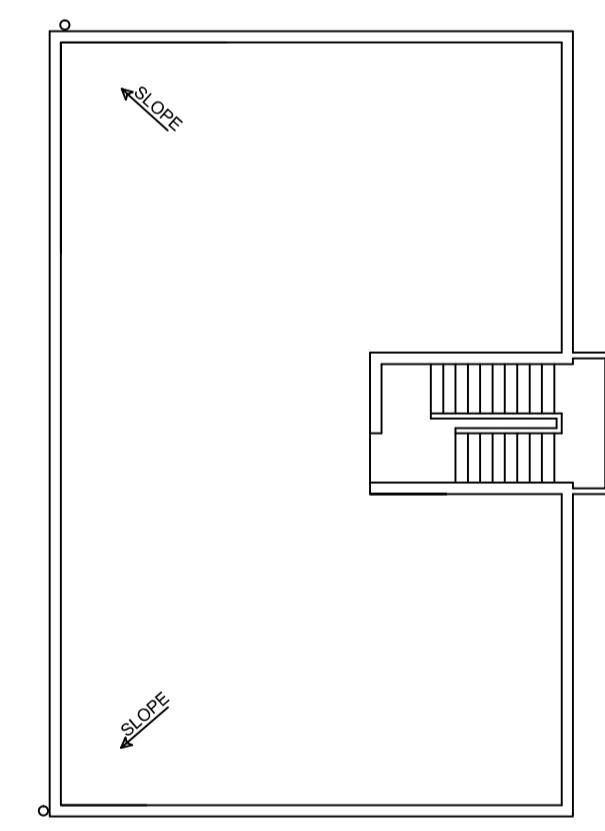
SECTION ON Y-Y



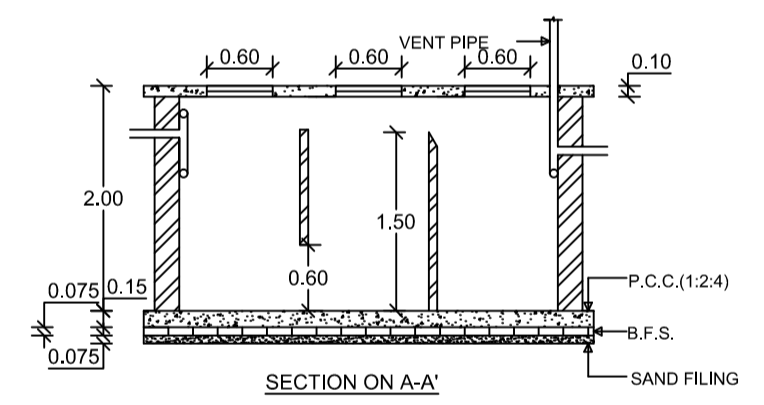
GROUND FLOOR PLAN



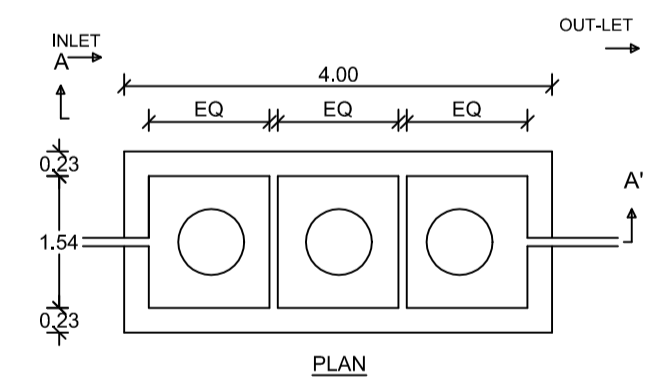
FIRST FLOOR PLAN



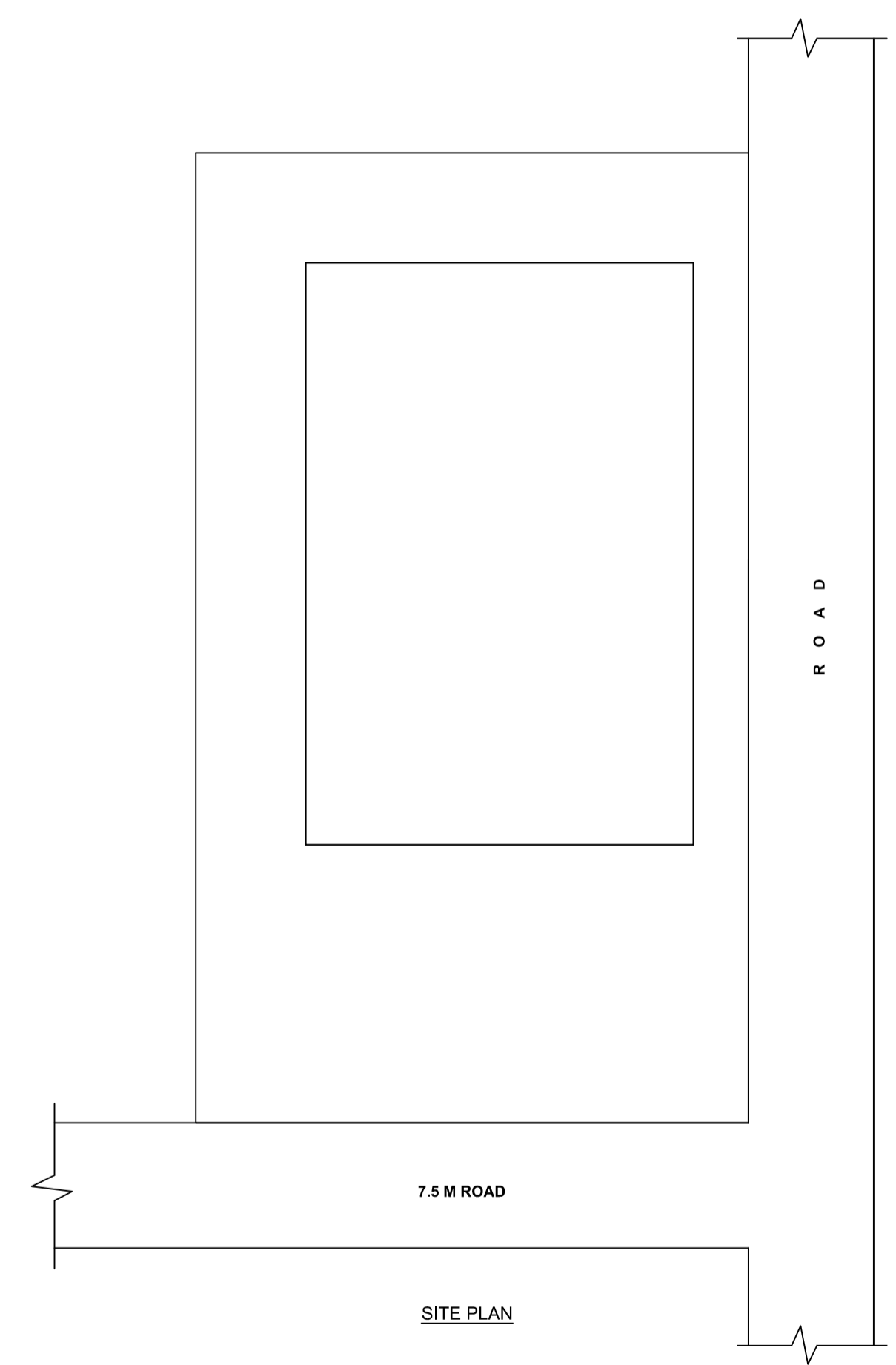
TERRACE FLOOR PLAN



SECTION ON A-A'



DETAILS OF SEPTIC TANK



7.5 M ROAD

SITE PLAN

