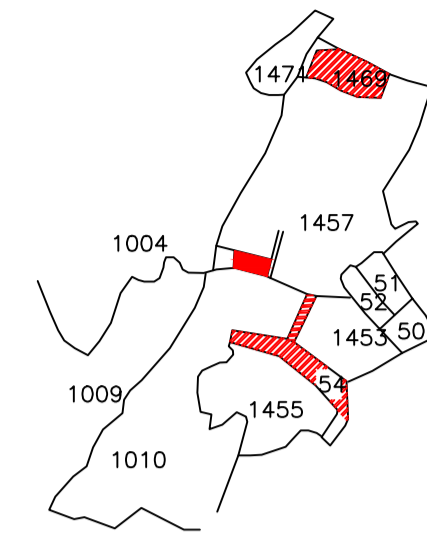
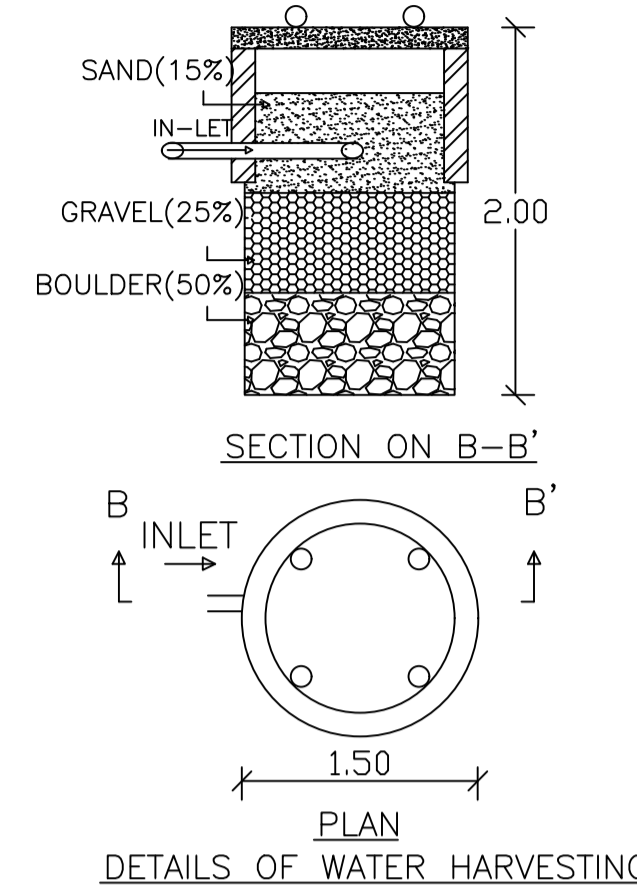
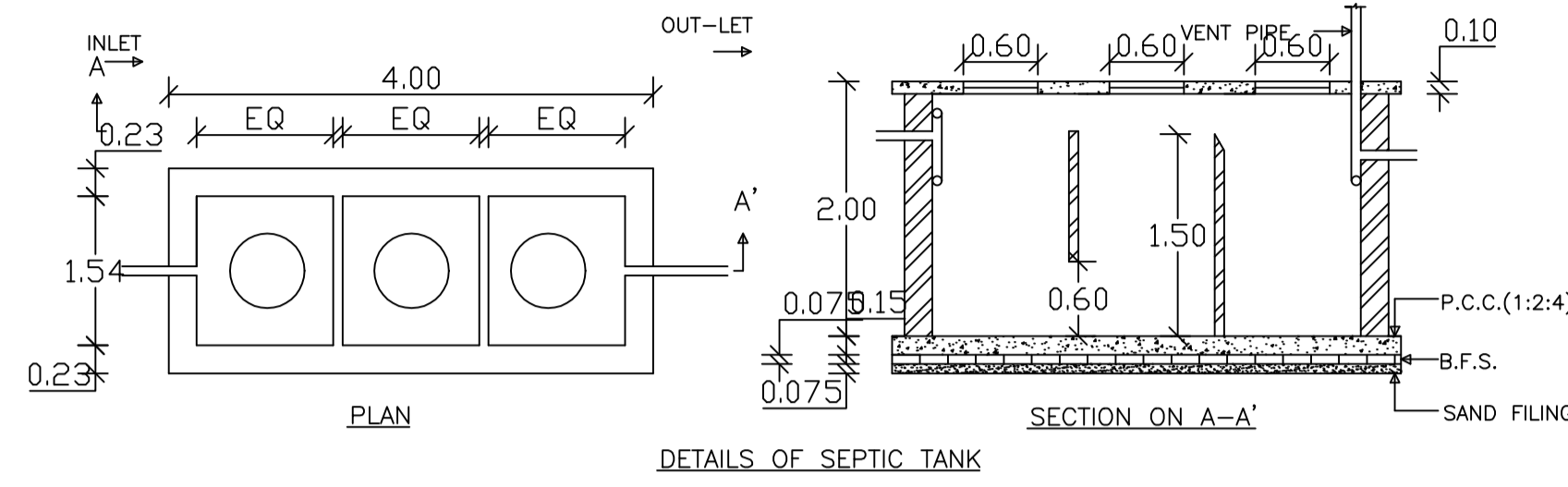
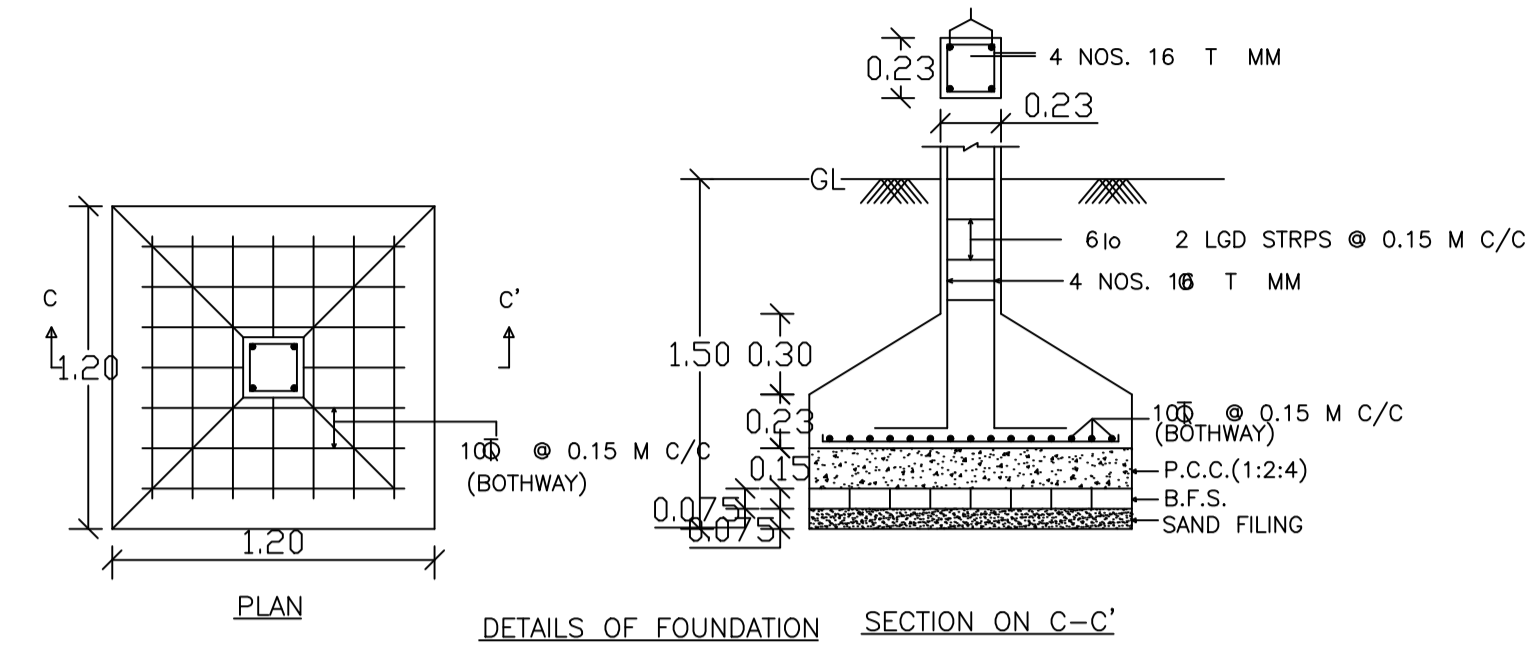
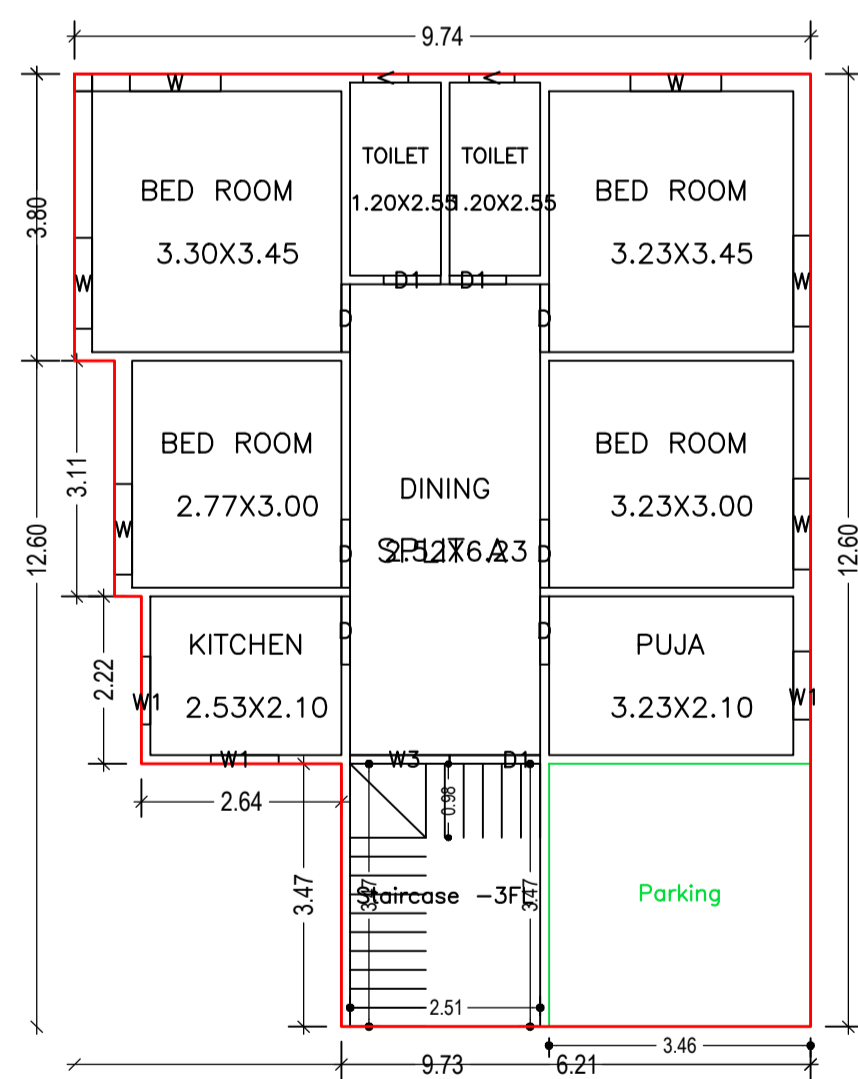
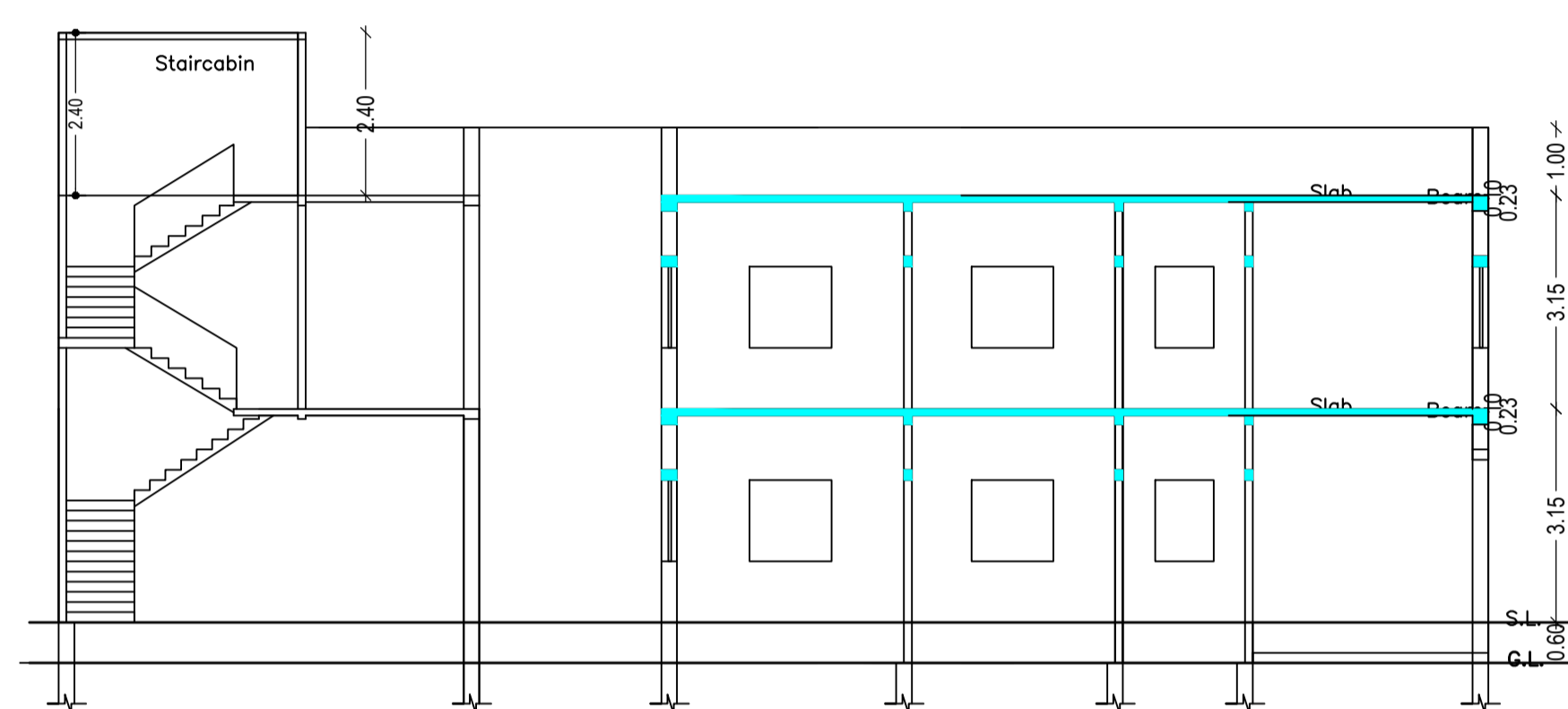
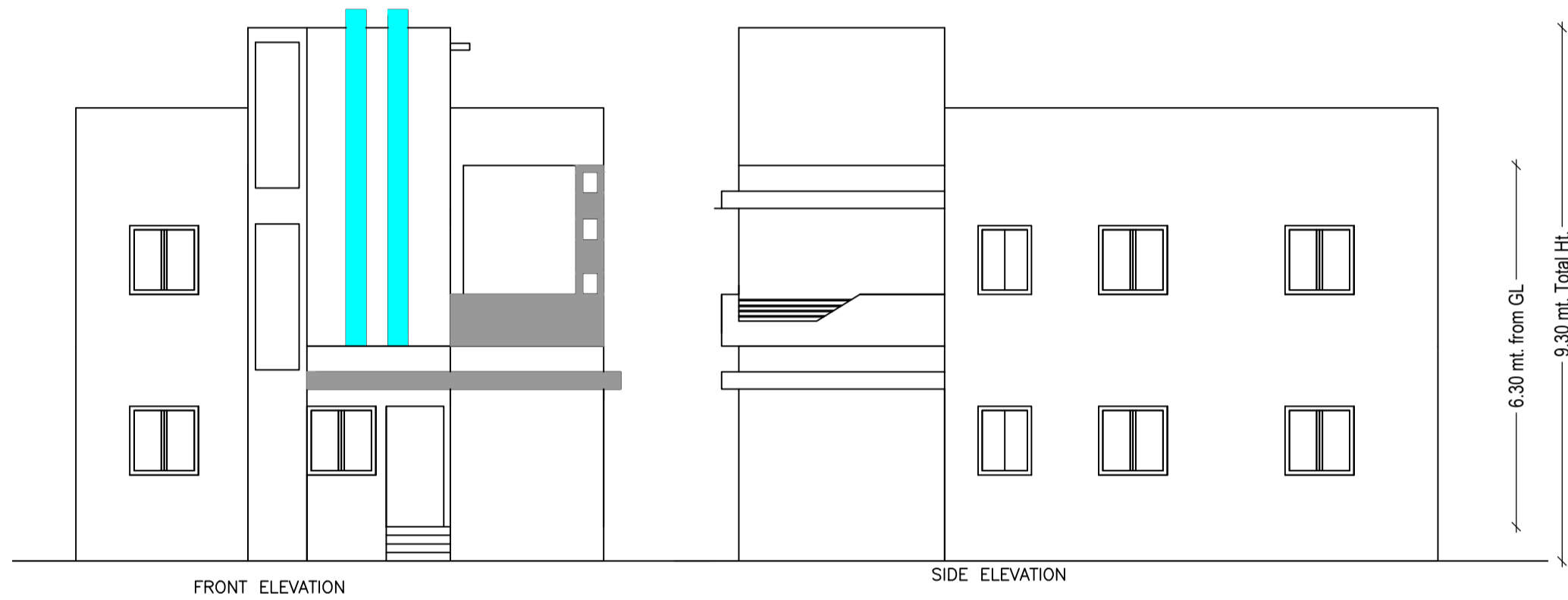


Proposal Basic Information	
Proposal File No.	CMC/BP/0063/W29/2022
Owner Name	BHAGAVAN MAHATO
Khata No	43
Plot No	1457
Village Name	Telidih
Use	Residential
SubUse	Bungalow/ Dwelling / Non Apartment

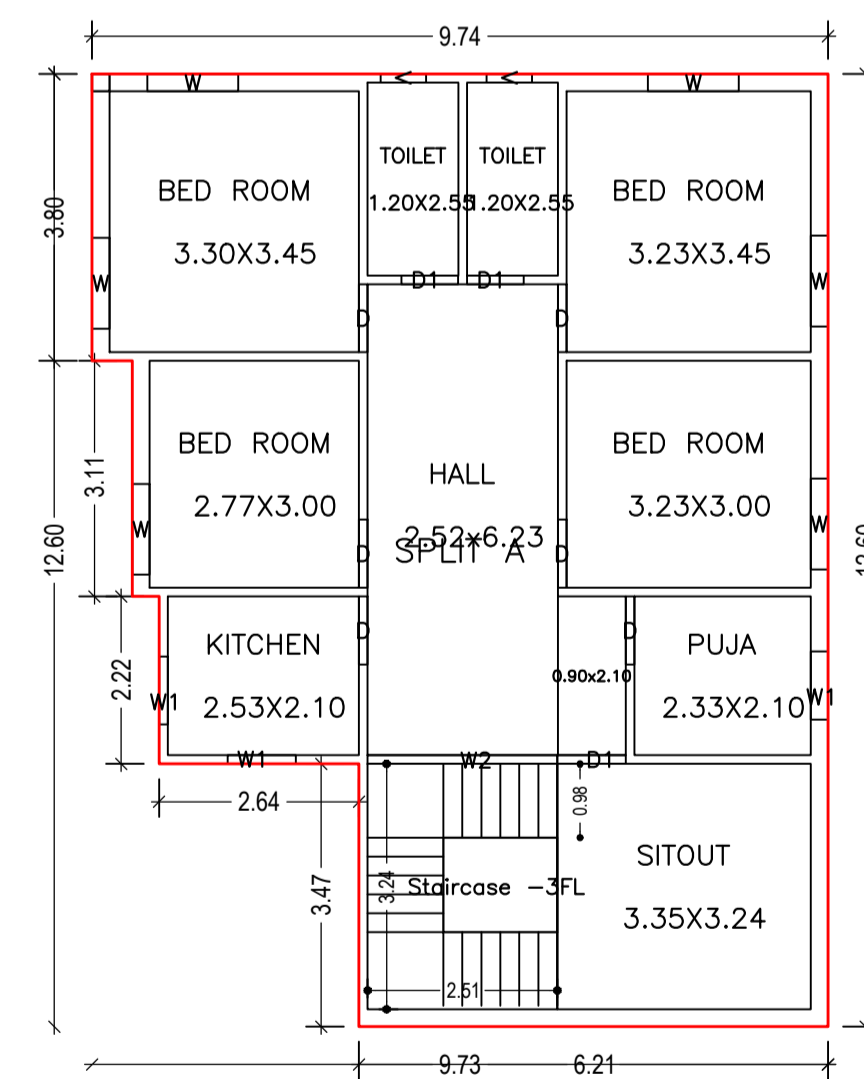


KEY MAP

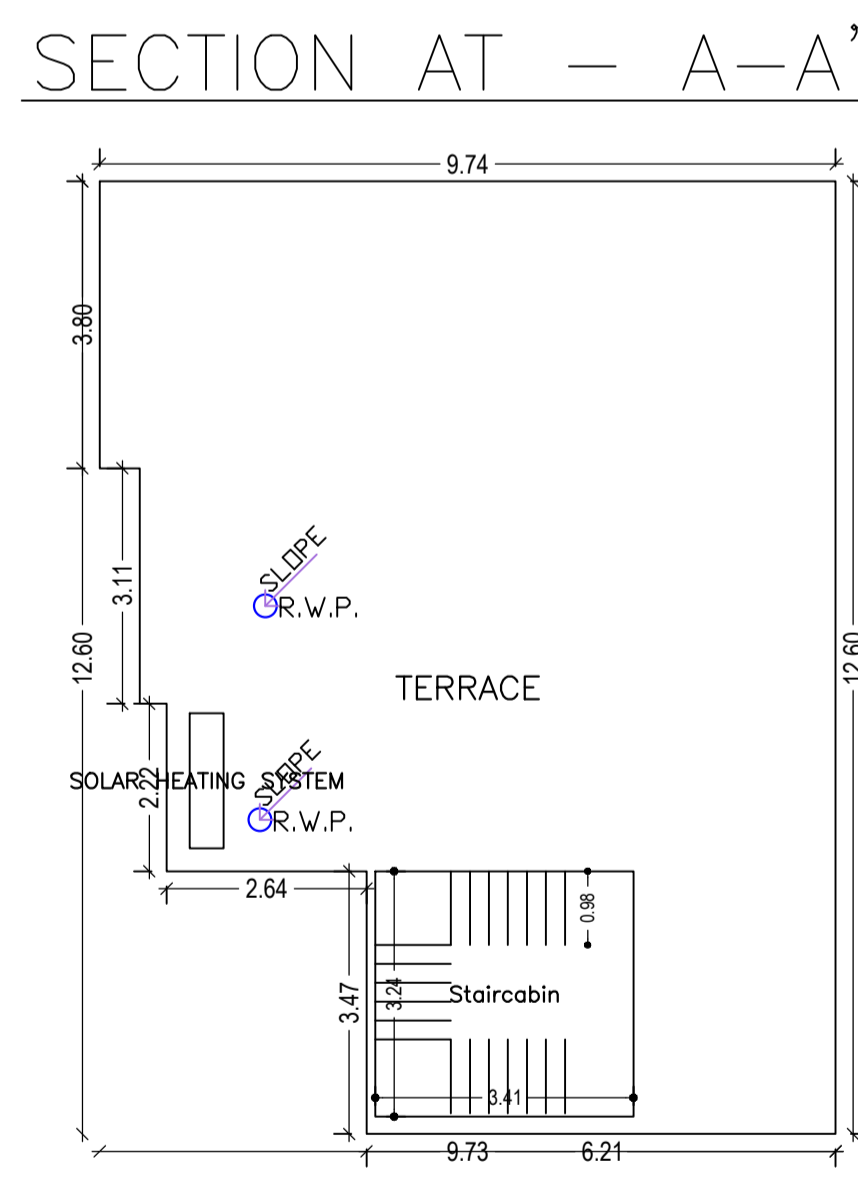
AREA STATEMENT CHAS MUNICIPAL CORPORATION		VERSION NO. 1.0.62	VERSION DATE: 16/10/2020
PROJECT DETAIL:			
Region: JHARKHAND URBAN LOCAL BODIES	Plot Use: Residential		
District: BOKARO	Plot SubUse: Bungalow/ Dwelling / Non Apartment		
Authority: CHAS MUNICIPAL CORPORATION	PlotNearbyReligiousStructure: NA		
Inward No: CMC/BP/0063/W29/2022	Plot/SubPlot No: 1457		
Application Type: General Proposal	North: Road Width - 2.40 mtr WIDE ROAD		
Project Type: Building Permission	South: Plot No. - PLOT NO- 1010		
Nature of Development: New	East: Road Width - 3.66 MTR WIDE ROAD		
Location of Development Area: Old Area	West: CTS No. - NU LAND OF VENDORS		
AREA DETAILS:			SQ.MT.
AREA OF PLOT (Minimum)	(A)		241.23
NET AREA OF PLOT(Gross Plot Area - Deduction from Gross Plot area)	(A-Deductions)		241.23
Deduction for Balance Plot Area(from Gross Plot Area)			
Common Plot			29.55
Total			29.55
BALANCE AREA OF PLOT(Net Plot Area - Recreational/Amenity space)	(A-Deductions)		211.69
PLOT AREA FOR COVERAGE(Net Plot Area)	(A-Deductions)		241.23
Plot Area for FAR (Net Plot Area + RoadWidening Area)	(A-Deductions)		241.23
COVERAGE CHECK			
Permissible Coverage area (60.00 %)			144.74
Proposed Coverage Area (44.26 %)			106.78
Total Prop. Coverage Area (44.26 %)			106.78
Balance coverage area (15.74 %)			37.96
FAR CHECK			
Perm. FAR Area (1.50)			361.85
Total Perm. FAR area			361.85
Residential FAR			213.57
Proposed FAR Area			213.57
Total Proposed FAR Area			213.57
Consumed FAR (Factor)			0.89
Balance FAR Area			148.28
BUILT UP AREA CHECK			
Total Proposed BuiltUp Area			213.56
ARCHITECT (Regd)			AMRIT KUMAR MAHATO
ENGINEER (Regd)			
SUPERVISOR (Regd)			
OWNER (Regd)			BHAGAVAN MAHATO
DEVELOPMENT AUTHORITY			LOCAL BODY



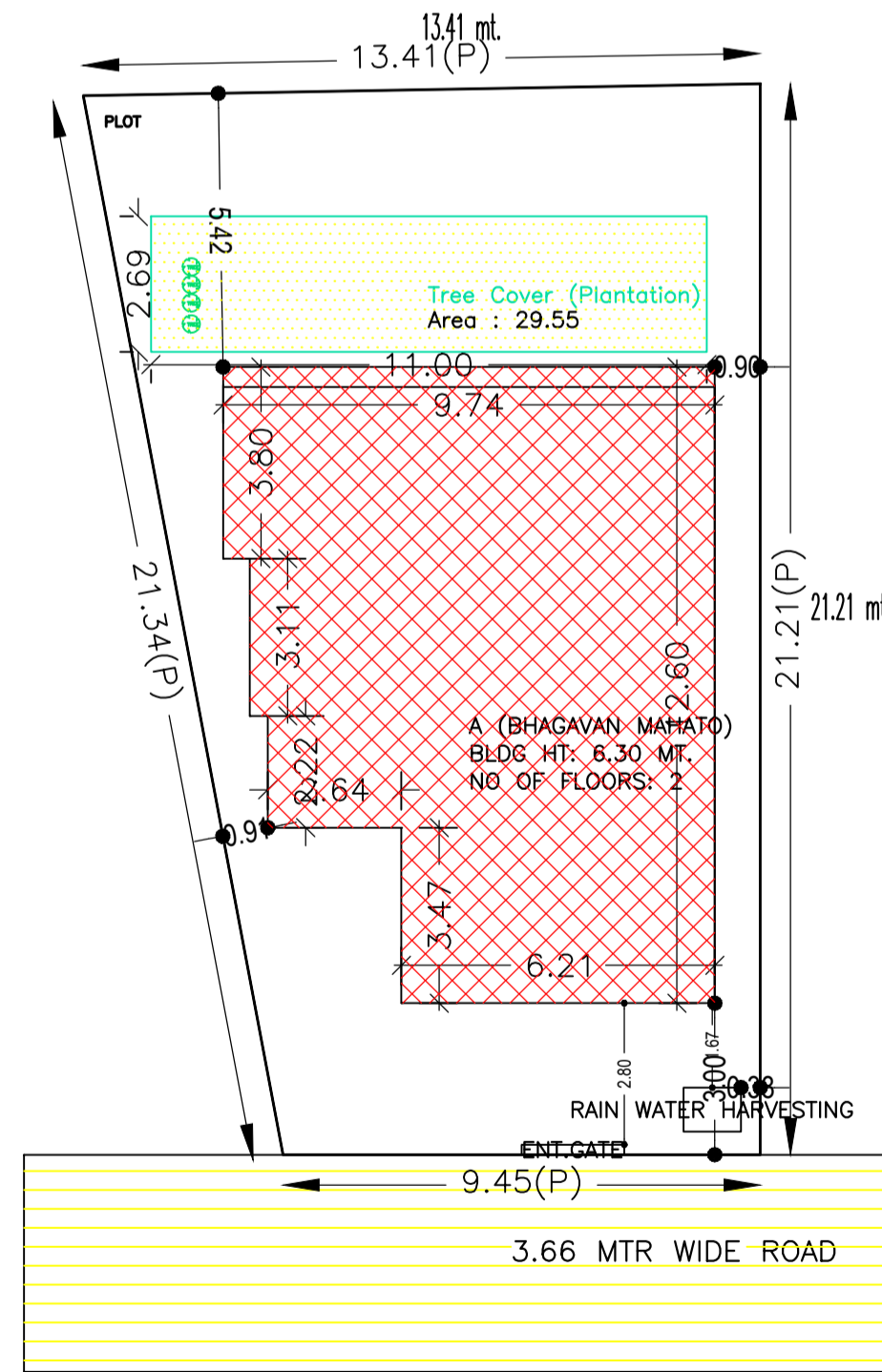
GROUND FLOOR PLAN (Proposed) (SCALE 1:100)



FIRST FLOOR PLAN (Proposed) (SCALE 1:100)



TERRACE FLOOR PLAN (SCALE 1:100)



SITE PLAN

Buildingwise Floor FAR Details

Floor Name	Building Name		Total	
	Proposed Built Up Area (Sq.mt.)	Proposed FAR Area (Sq.mt.)	Total Proposed Built Up Area (Sq.mt.)	Total FAR Area (Sq.mt.)
Ground Floor	106.78	106.78	106.78	106.78
First Floor	106.78	106.78	106.78	106.78
Terrace Floor	0.00	0.00	0.00	0.00
Total :	213.56	213.56	213.56	213.56

UnitBUA Table for Building :A (BHAGAVAN MAHATO)

FLOOR	Name	UnitBUA Type	UnitBUA Area	Carpet Area	No. of Rooms	No. of Tenement
GROUND FLOOR PLAN	SPLIT A	FLAT	213.57	211.57	9	1
FIRST FLOOR PLAN	SPLIT A	FLAT	0.00	0.00	10	0
Total:	-	-	213.57	211.57	19	1

FAR & Tenement Details (Table 4c-1)

Building	No. of Same Bldg	Total Built Up Area (Sq.mt.)	Proposed FAR Area (Sq.mt.) Resi.	Total FAR Area (Sq.mt.)	Total Consumed Additional FAR Area (Sq.mt.)	Trmt (No.)
A (BHAGAVAN MAHATO)	1	213.56	213.56	213.56	213.56	01
Grand Total :	1	213.56	213.56	213.56	213.56	01

COLOR INDEX

- PLOT BOUNDARY
- ABUTTING ROAD
- PROPOSED CONSTRUCTION
- COMMON PLOT
- ROAD WIDENING AREA
- EXISTING (To be retained)
- EXISTING (To be demolished)

LTP NAME AND SIGNATURE

AMRIT KUMAR MAHATO
CMC/DFTM/0004/2019

STRUCTURAL ENG'S NAME AND SIGNATURE

BUILDER NAME AND SIGNATURE

DIGITAL SIGNATURE

SCHEDULE OF DOOR:

BUILDING NAME	NAME	LENGTH	HEIGHT	NOS
A (BHAGAVAN MAHATO)	D1	0.75	2.10	04
A (BHAGAVAN MAHATO)	D	0.90	2.10	12
A (BHAGAVAN MAHATO)	D1	0.91	2.10	01
A (BHAGAVAN MAHATO)	D1	1.20	2.10	01

SCHEDULE OF WINDOW/VENTILATION:

BUILDING NAME	NAME	LENGTH	HEIGHT	NOS
A (BHAGAVAN MAHATO)	V	0.60	1.20	04
A (BHAGAVAN MAHATO)	W1	0.90	1.20	06
A (BHAGAVAN MAHATO)	W	1.20	1.20	12
A (BHAGAVAN MAHATO)	W3	1.32	1.20	01
A (BHAGAVAN MAHATO)	W2	2.51	2.10	01

Building :A (BHAGAVAN MAHATO)

Floor Name	Total Built Up Area (Sq.mt.)	Proposed FAR Area (Sq.mt.) Resi.	Total FAR Area (Sq.mt.)	Total Consumed Additional FAR Area (Sq.mt.)	Trmt (No.)
Ground Floor	106.78	106.78	106.78	106.78	01
First Floor	106.78	106.78	106.78	106.78	00
Terrace Floor	0.00	0.00	0.00	0.00	00
Total :	213.56	213.56	213.56	213.56	01
Total Number of Same Buildings :	1				
Total :	213.56	213.56	213.56	213.56	01

Building USE/SUBUSE Details

Building Name	Building Use	Building SubUse	Building Structure
A (BHAGAVAN MAHATO)	Residential	Bungalow/ Dwelling / Non Apartment	Non-Highrise