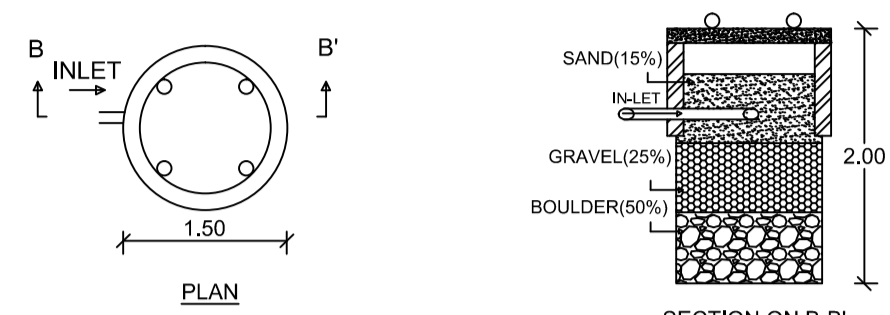
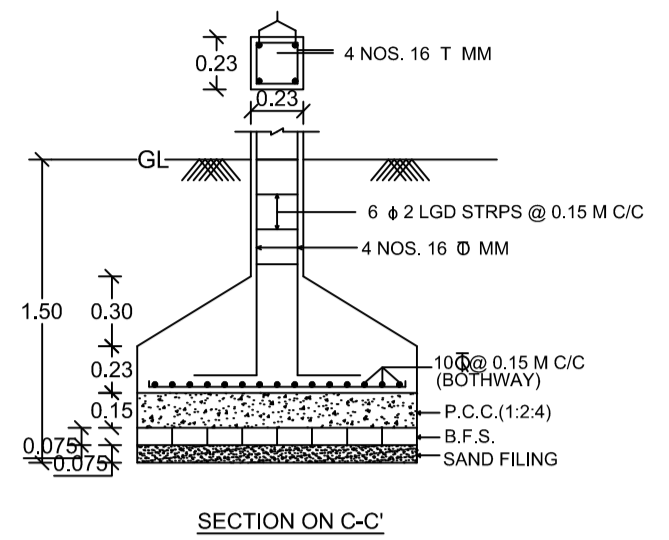
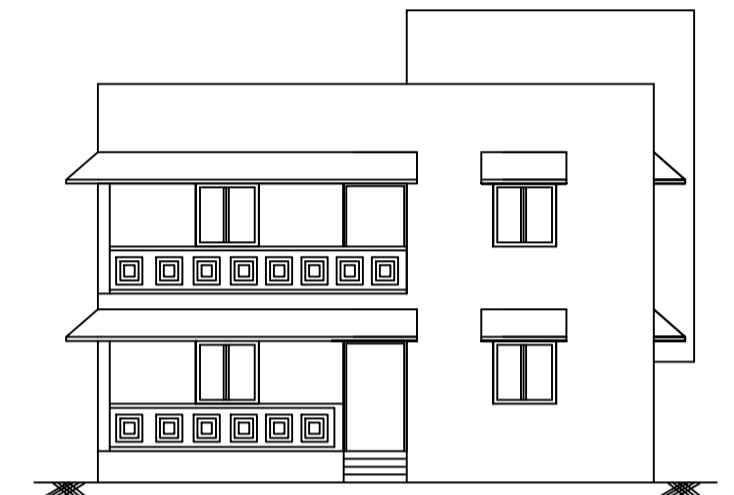


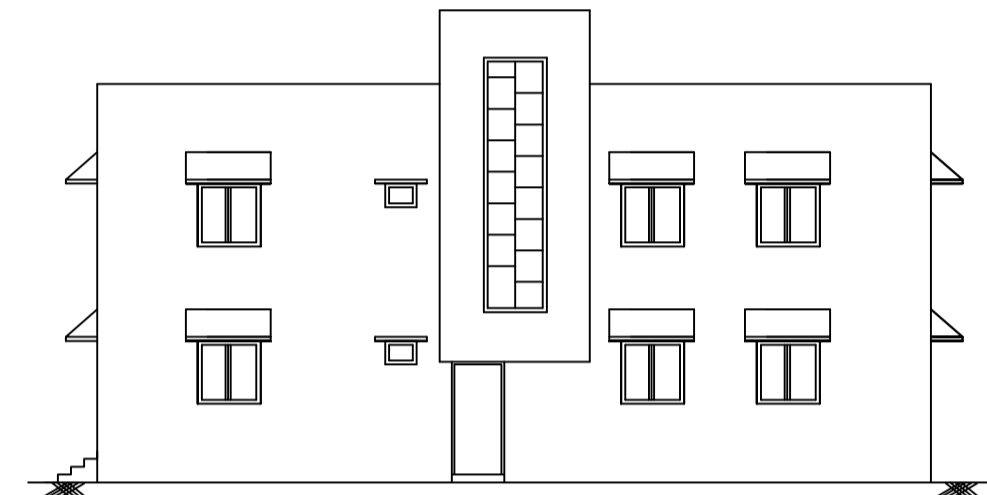
DETAILS OF FOUNDATION



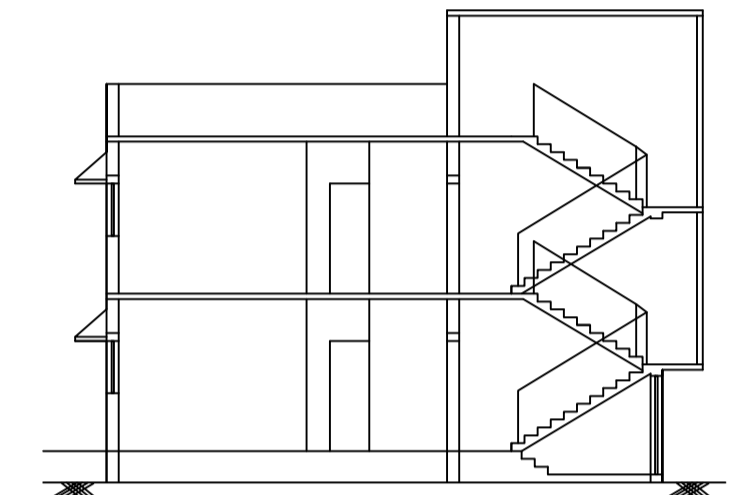
DETAILS OF WATER HARVESTING



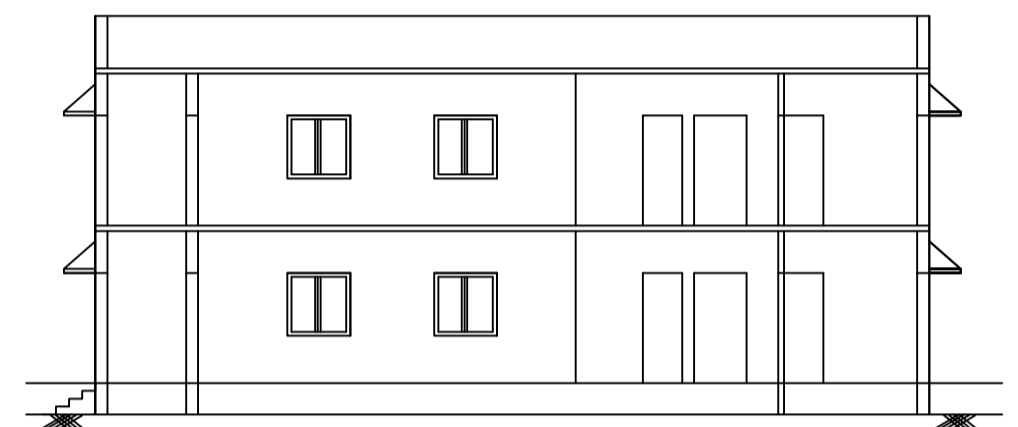
FRONT ELEVATION



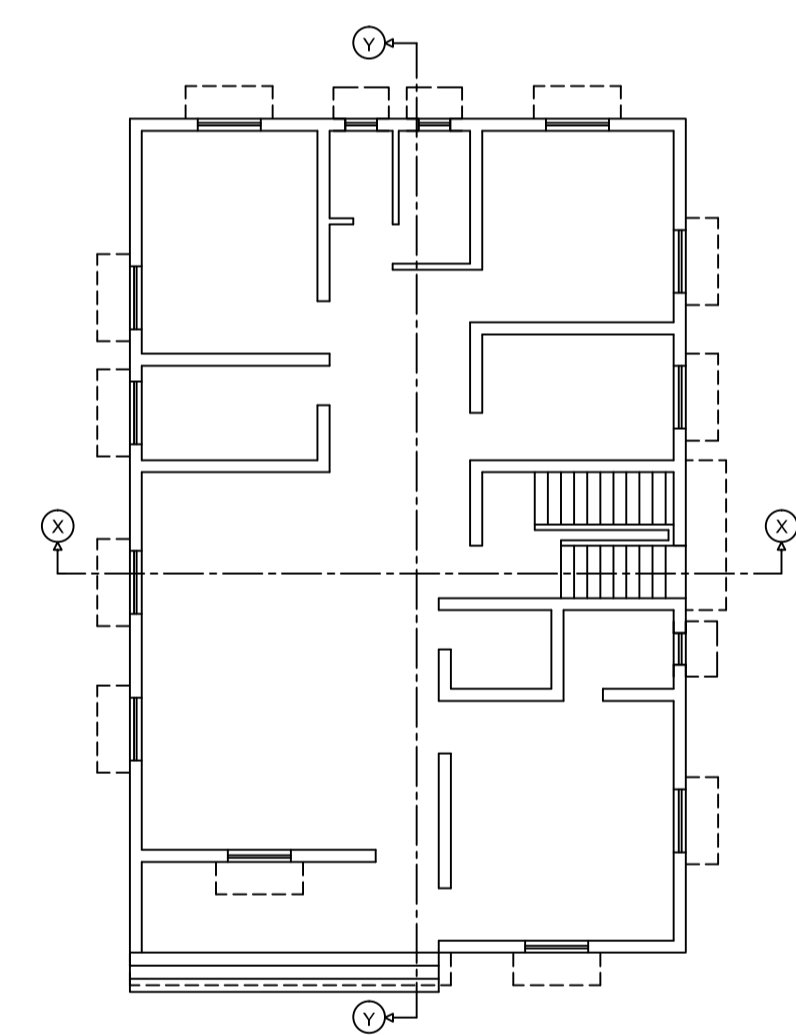
RIGHT SIDE ELEVATION



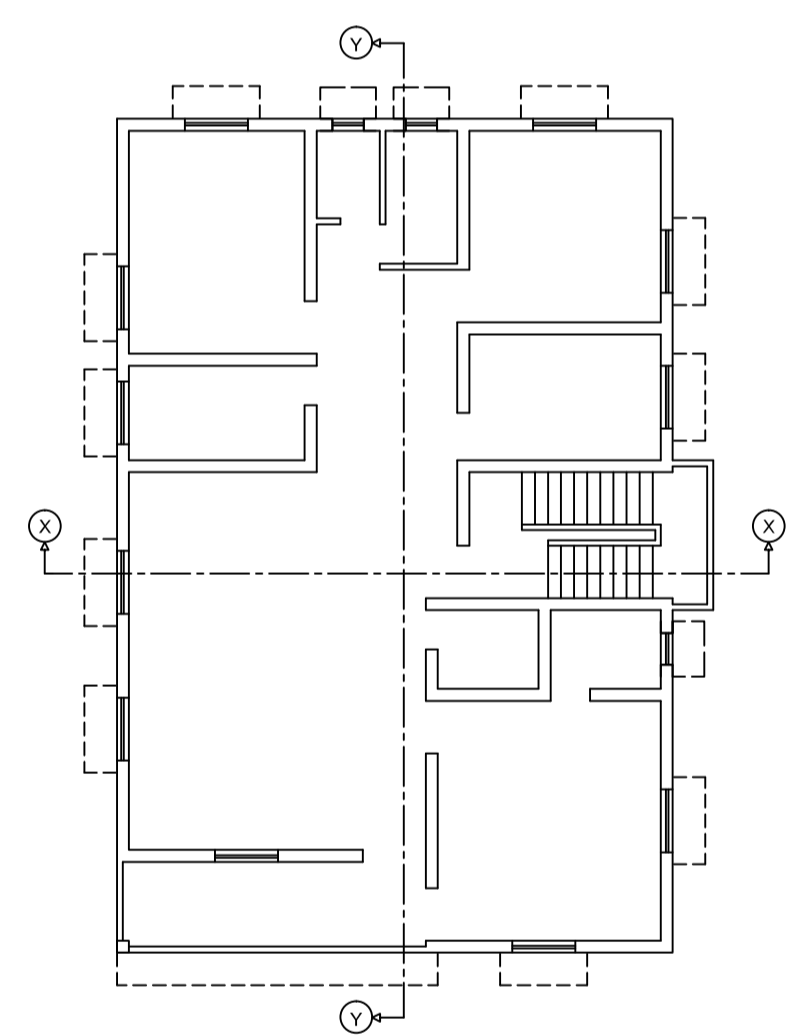
SECTION ON X-X



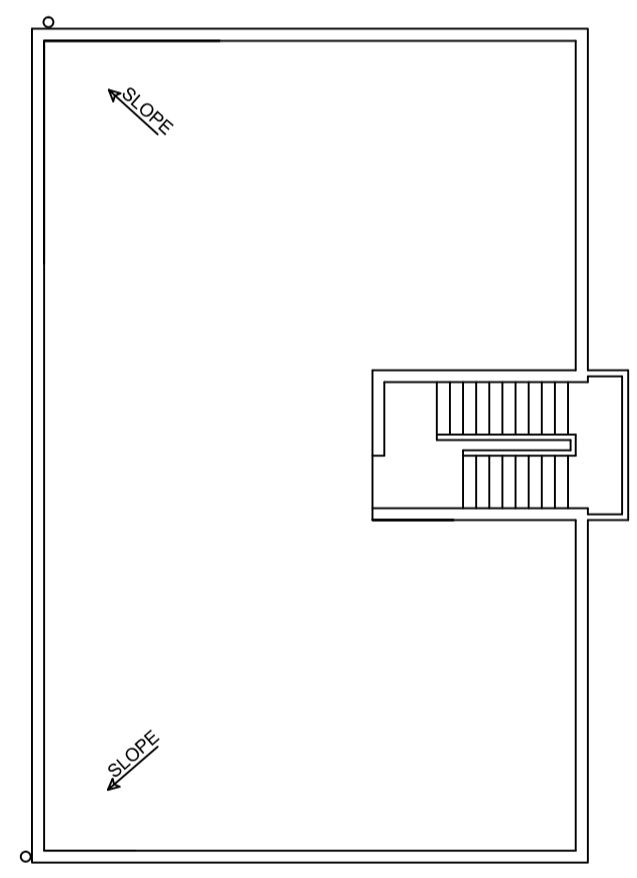
SECTION ON Y-Y



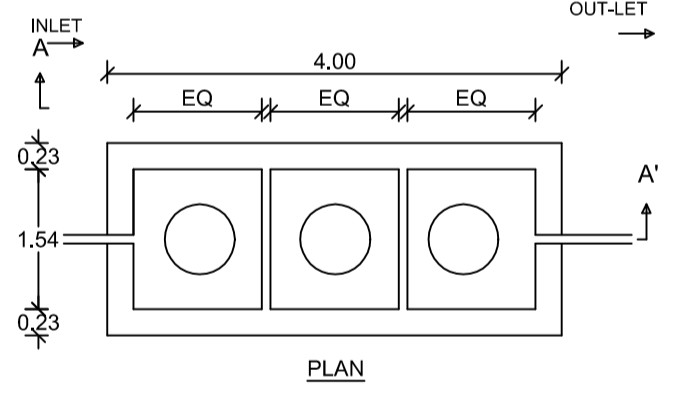
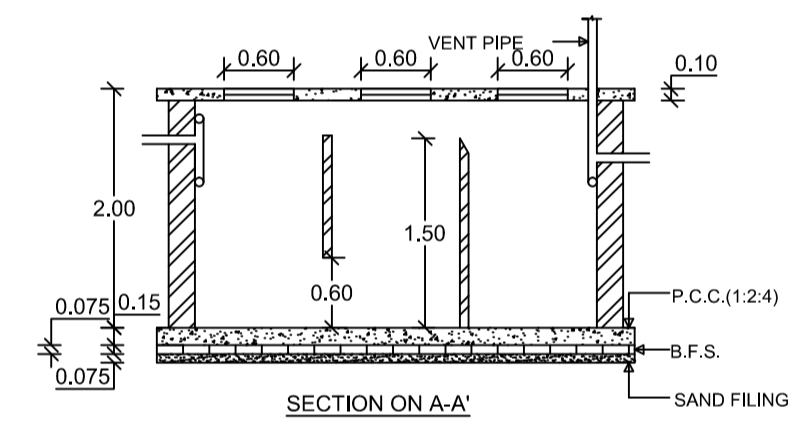
GROUND FLOOR PLAN



FIRST FLOOR PLAN



TERRACE FLOOR PLAN



DETAILS OF SEPTIC TANK

