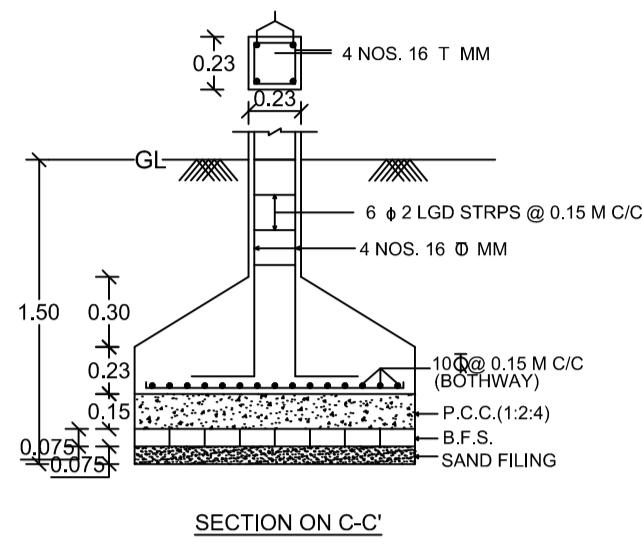
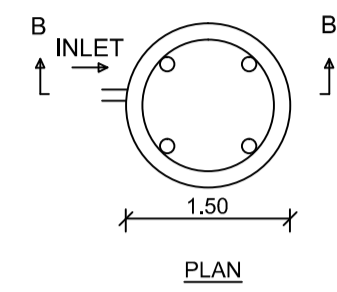


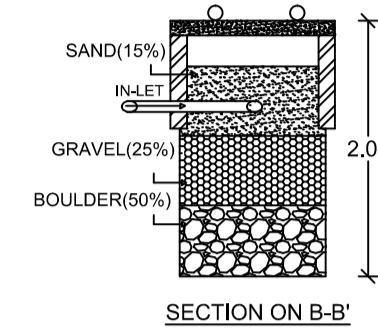
DETAILS OF FOUNDATION



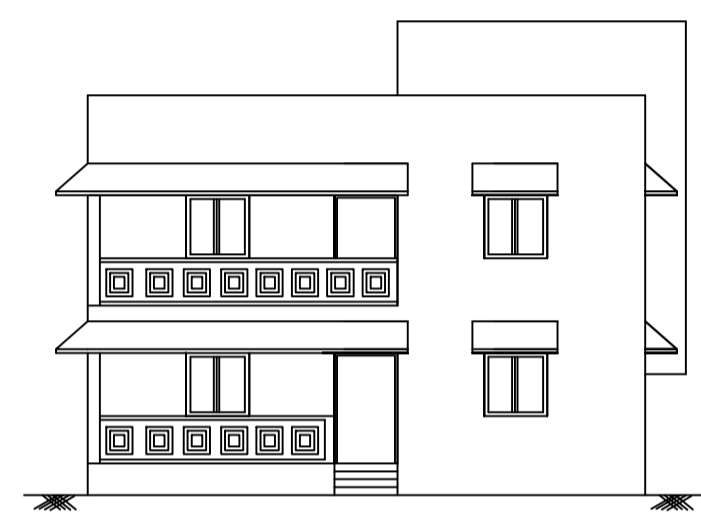
SECTION ON C-C'



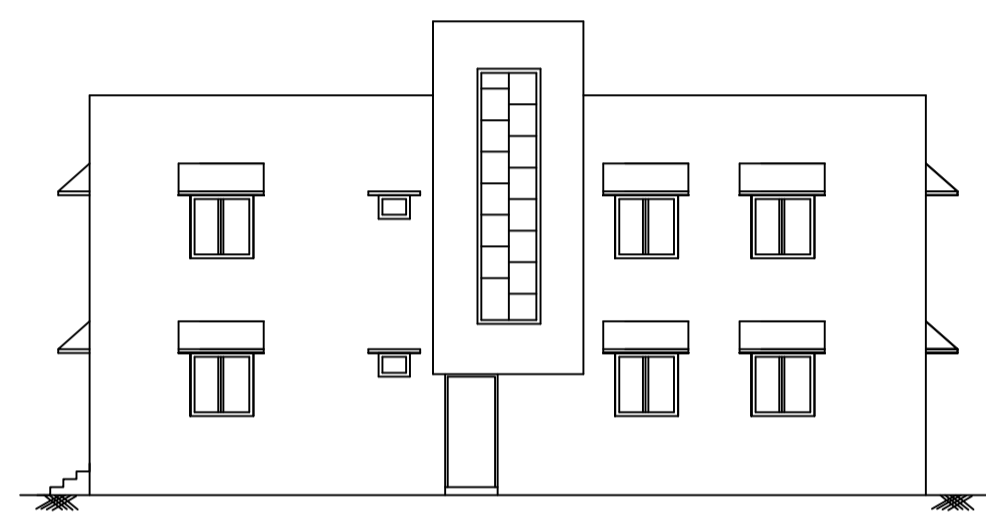
DETAILS OF WATER HARVESTING



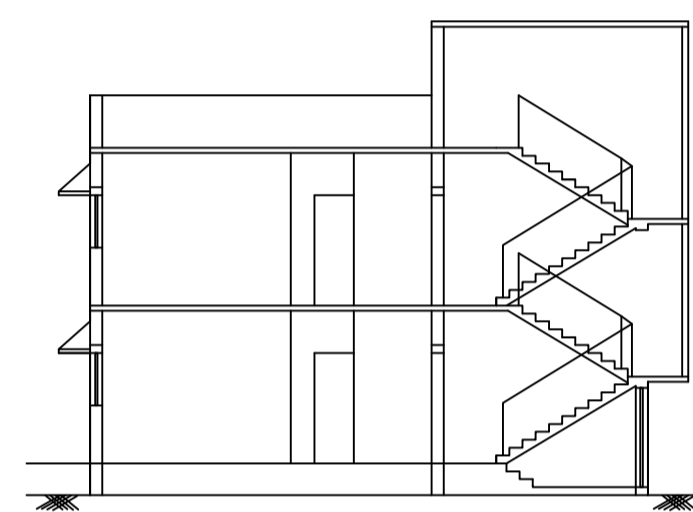
SECTION ON B-B'



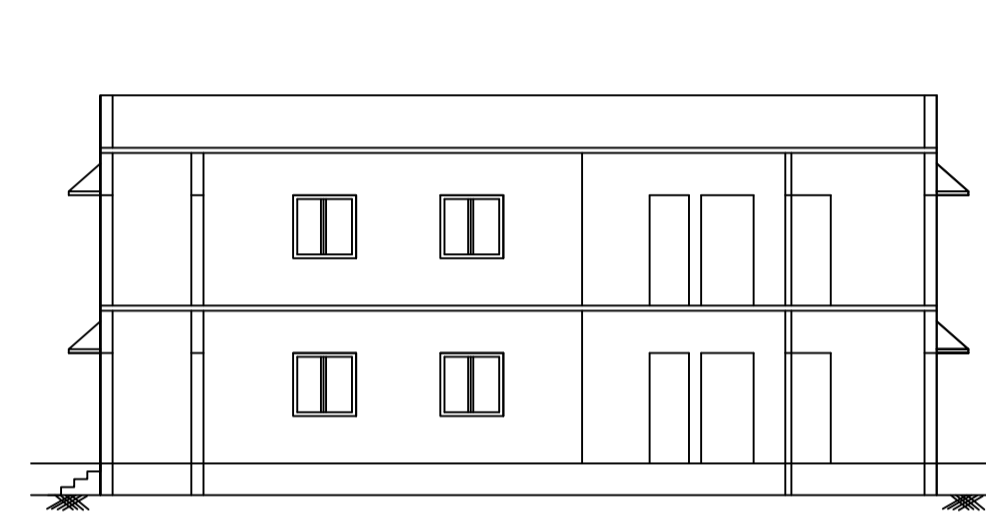
FRONT ELEVATION



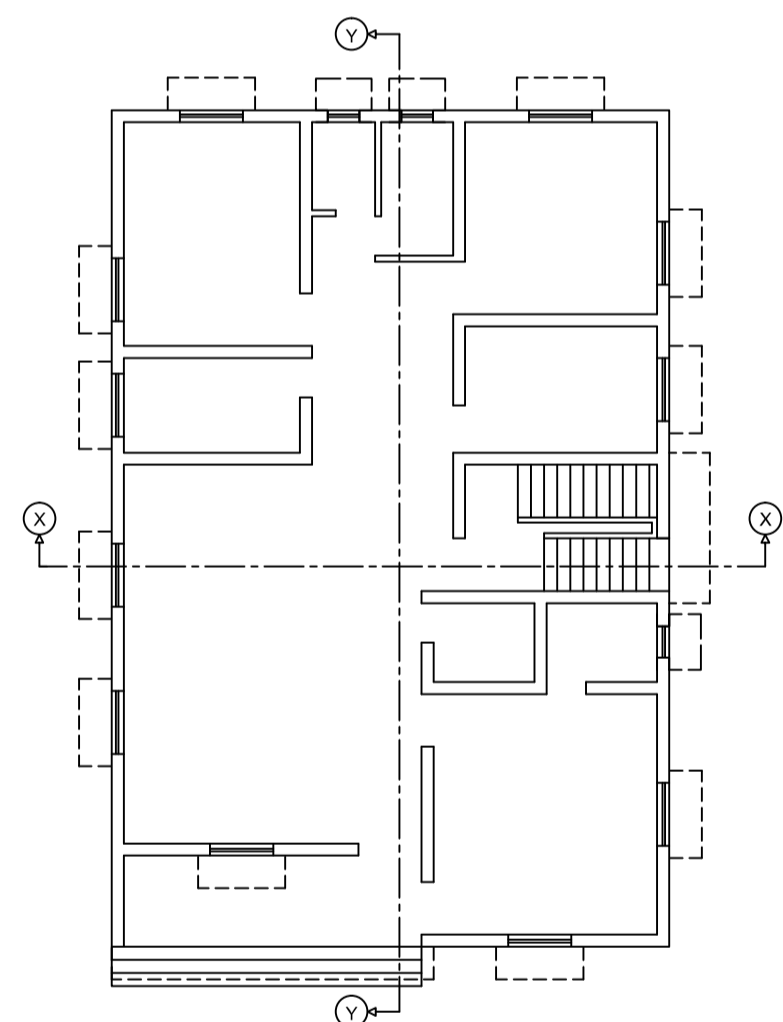
RIGHT SIDE ELEVATION



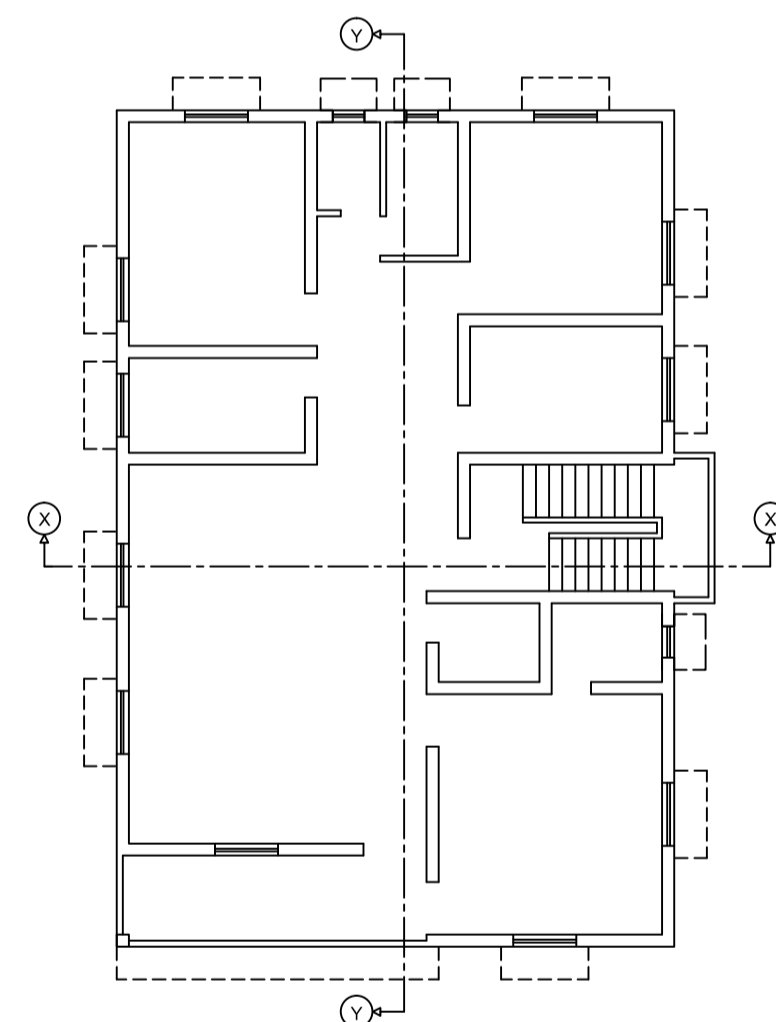
SECTION ON X-X



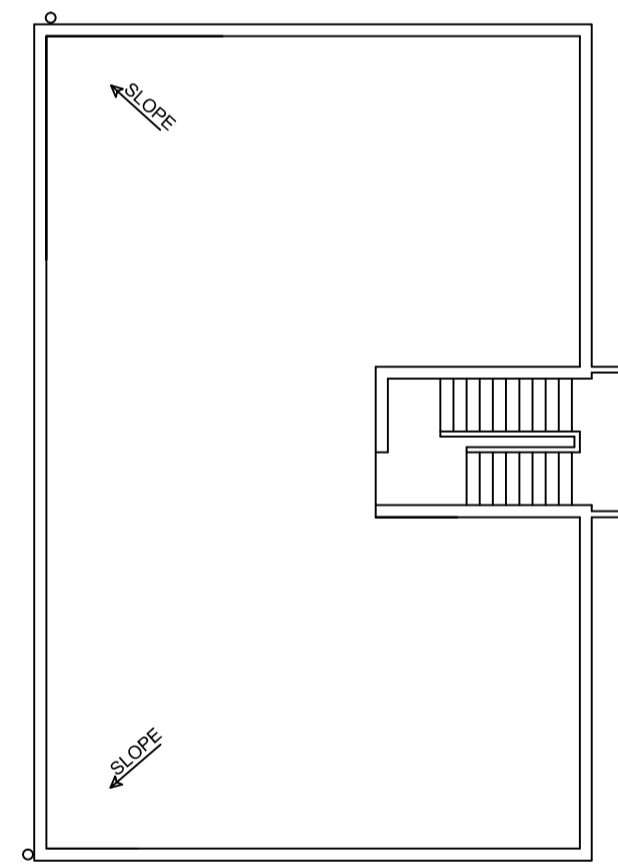
SECTION ON Y-Y



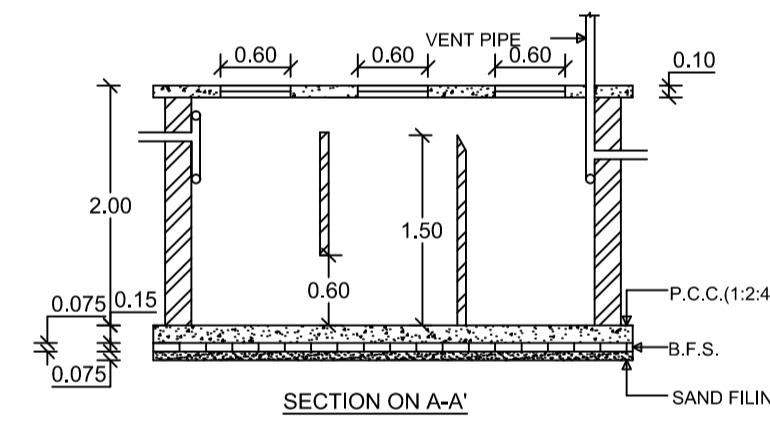
GROUND FLOOR PLAN



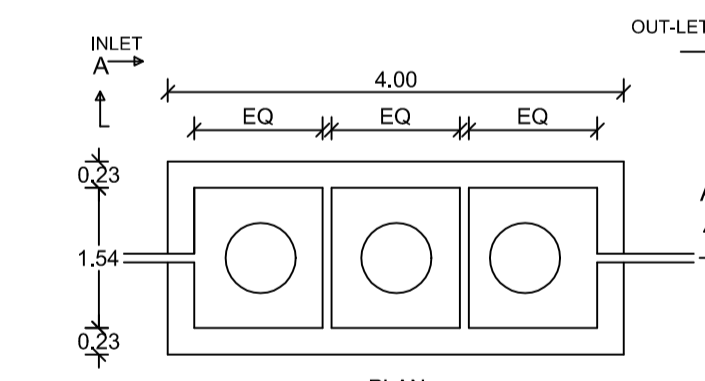
FIRST FLOOR PLAN



TERRACE FLOOR PLAN

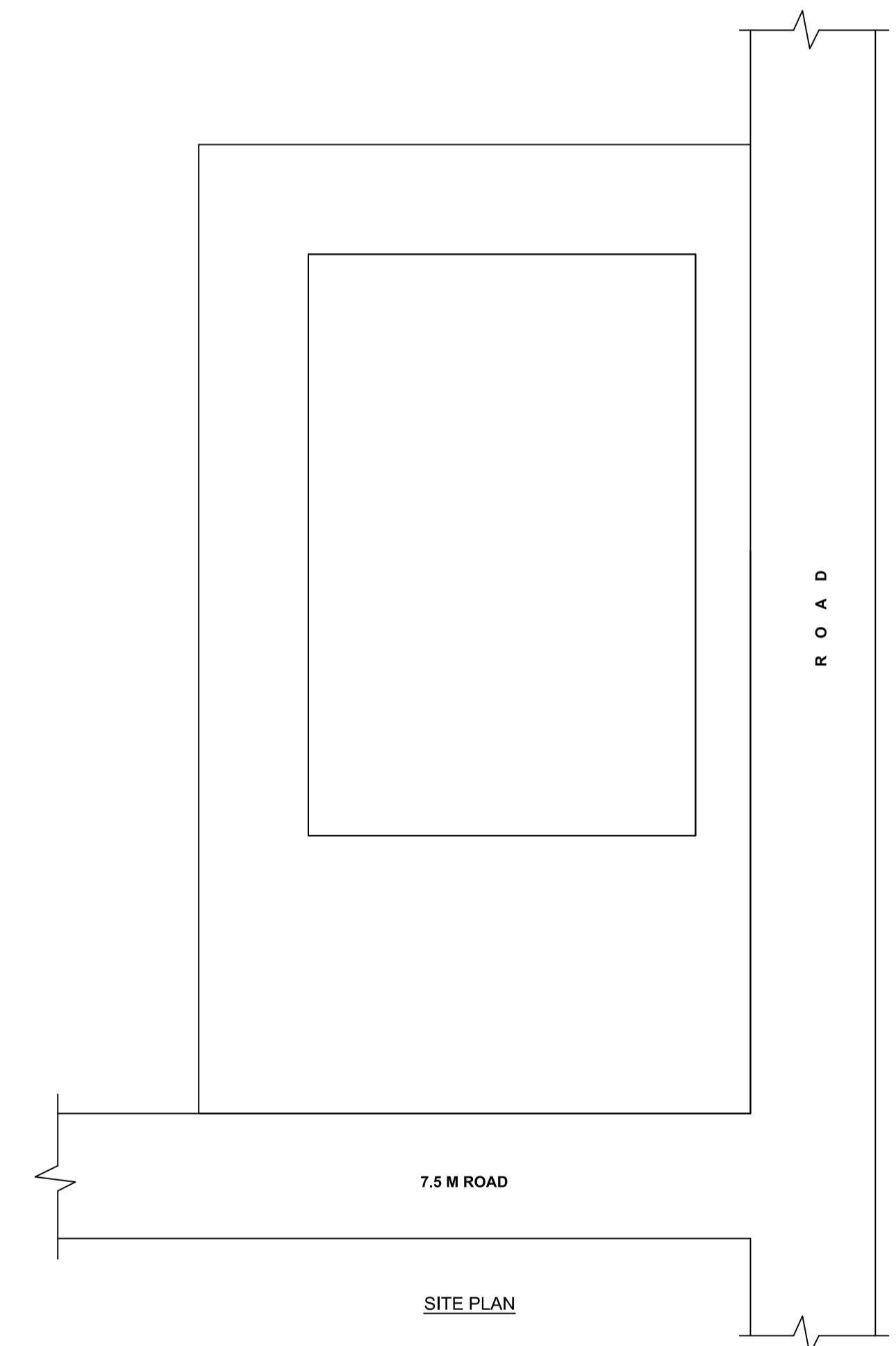


SECTION ON A-A'



PLAN

DETAILS OF SEPTIC TANK



7.5 M ROAD

SITE PLAN

