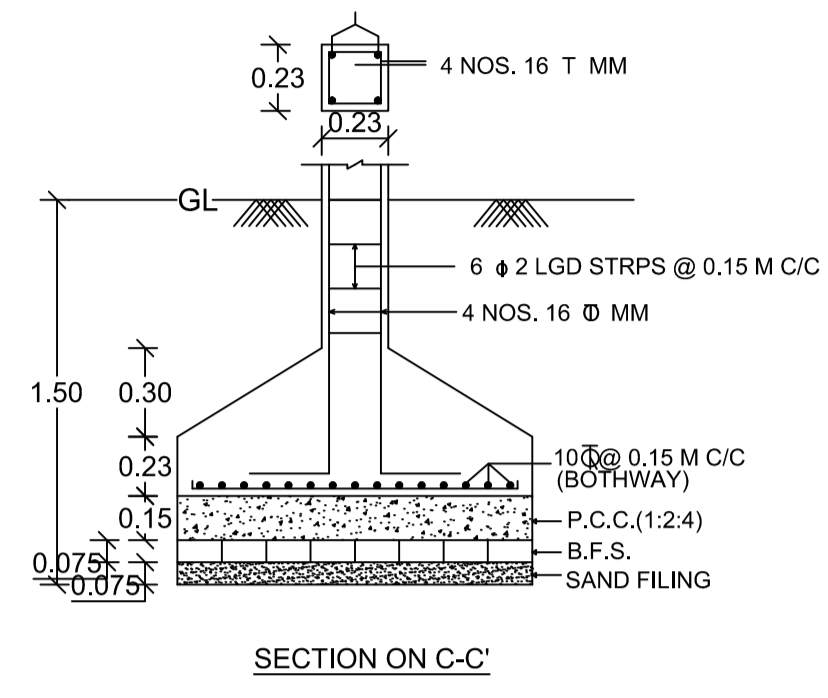
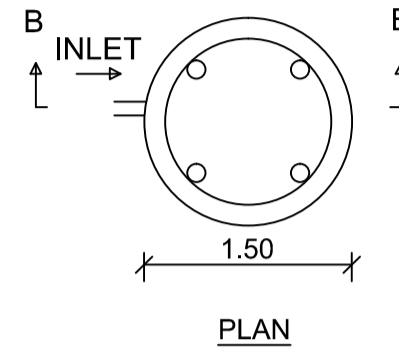


DETAILS OF FOUNDATION

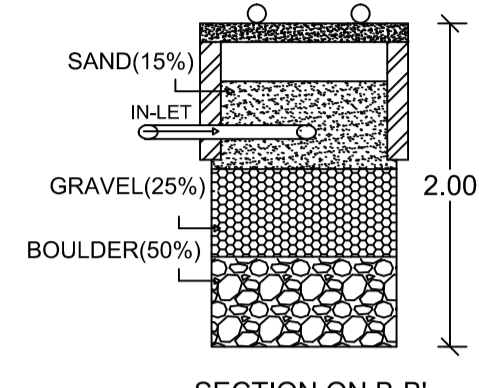


SECTION ON C-C'

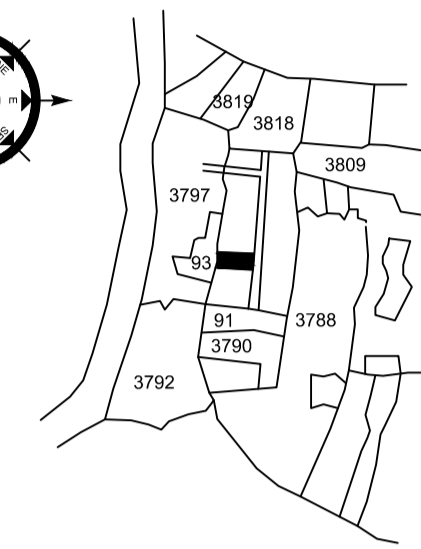
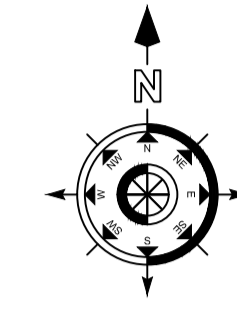


PLAN

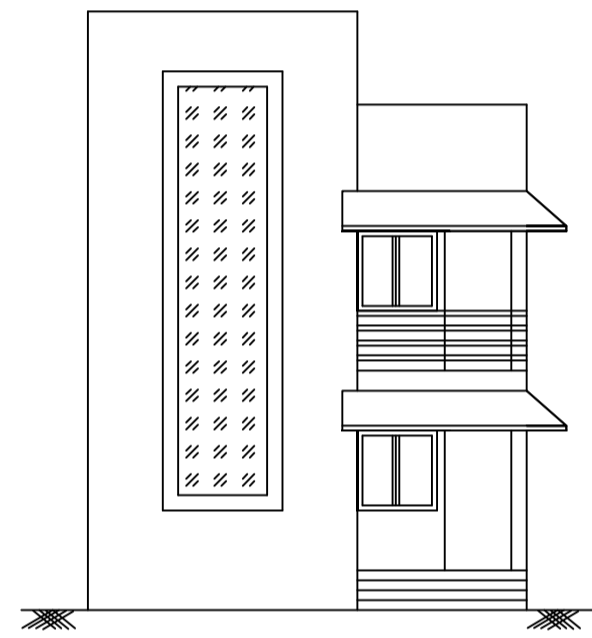
DETAILS OF WATER HARVESTING



SECTION ON B-B'



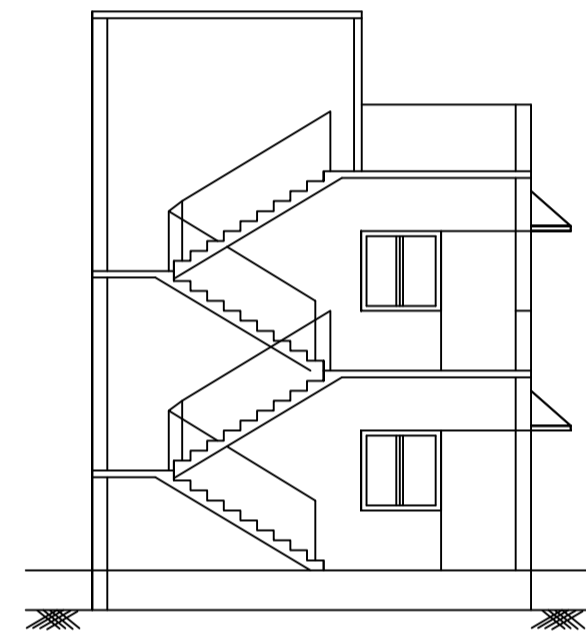
KEY PLAN



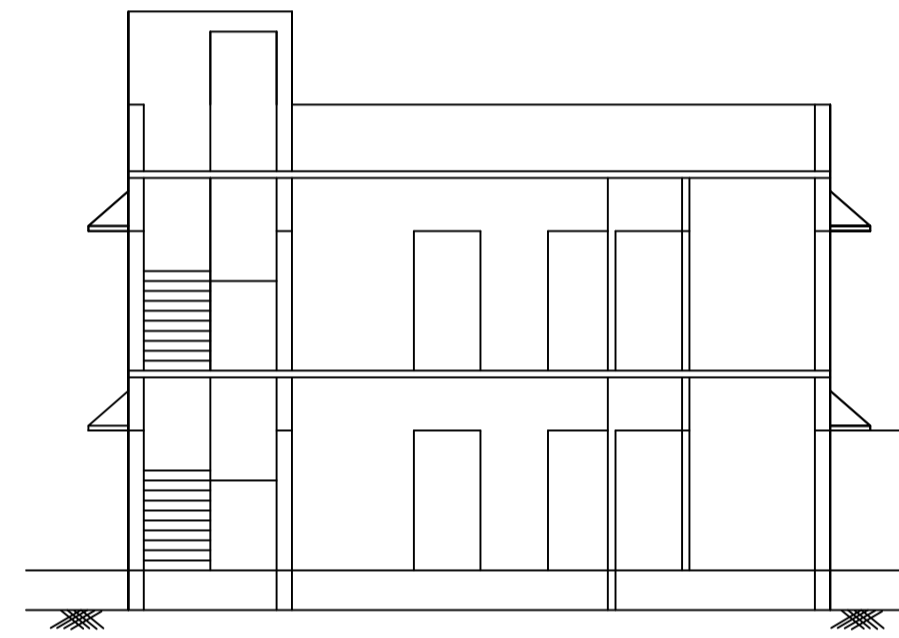
FRONT ELEVATION



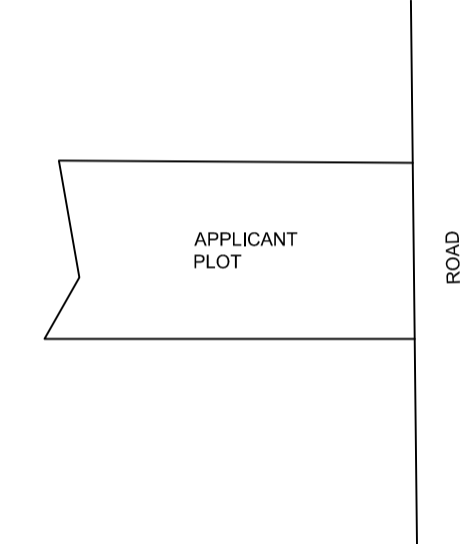
RIGHT SIDE ELEVATION



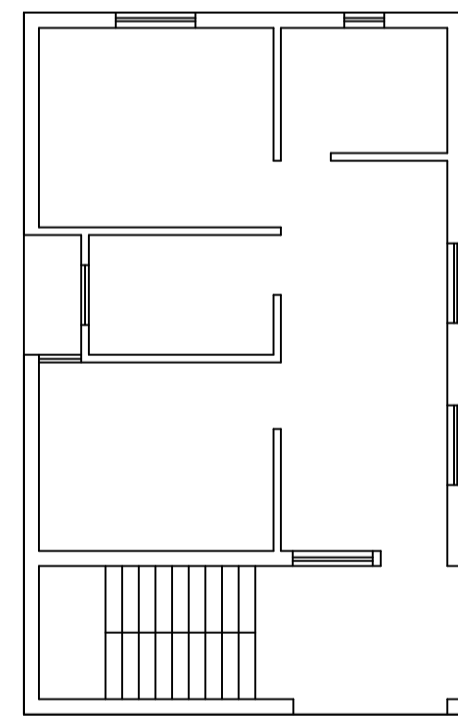
SECTION ON X-X'



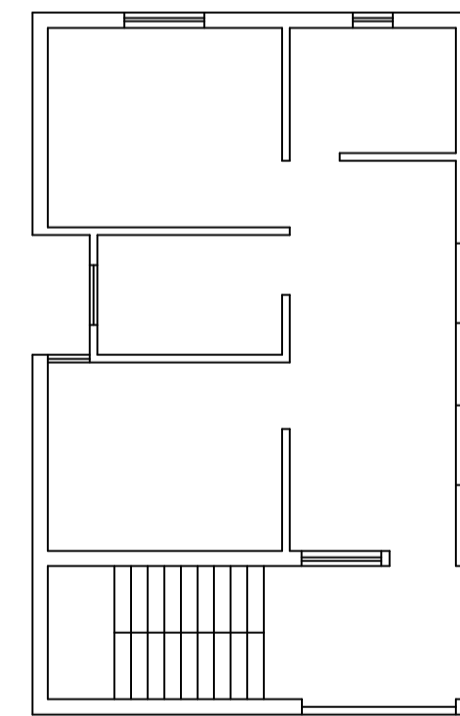
SECTION ON Y-Y'



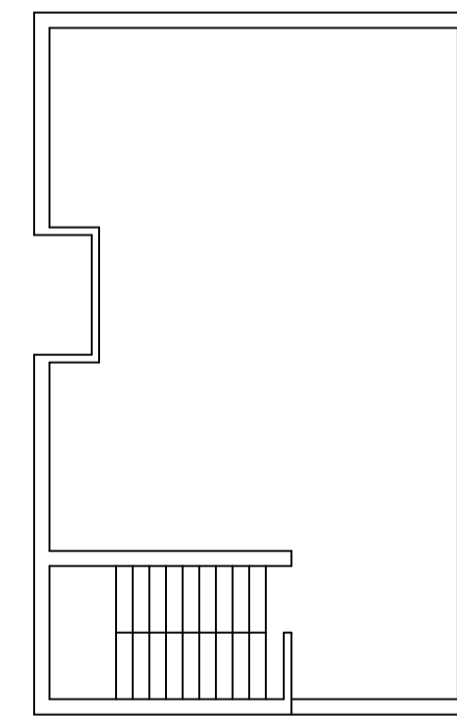
LOCATION PLAN



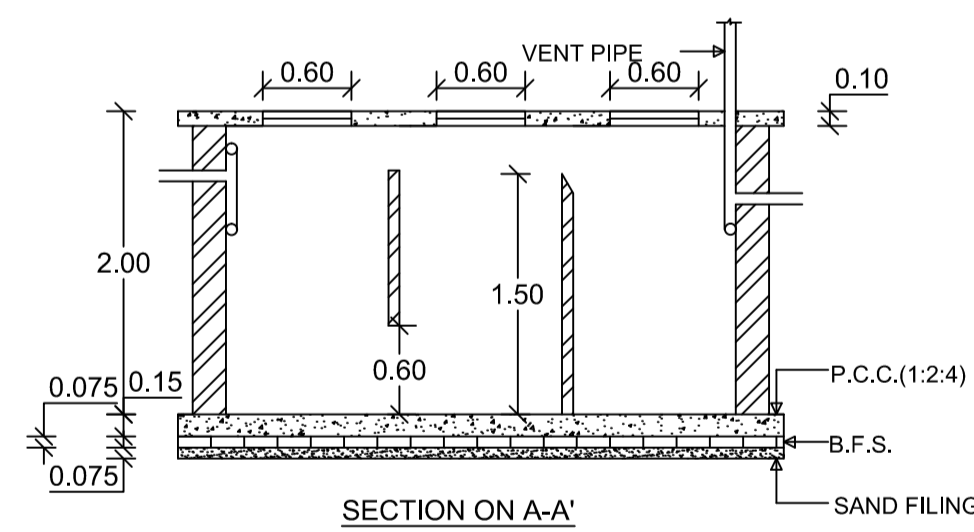
GROUND FLOOR PLAN



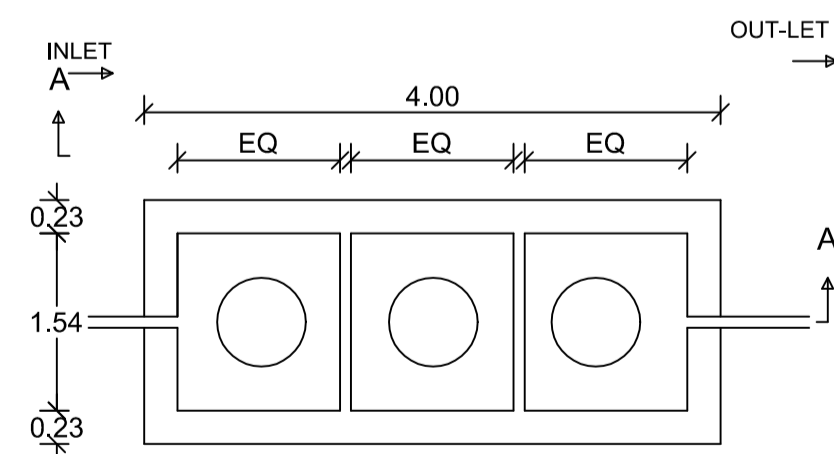
FIRST FLOOR PLAN



TERRACE FLOOR PLAN

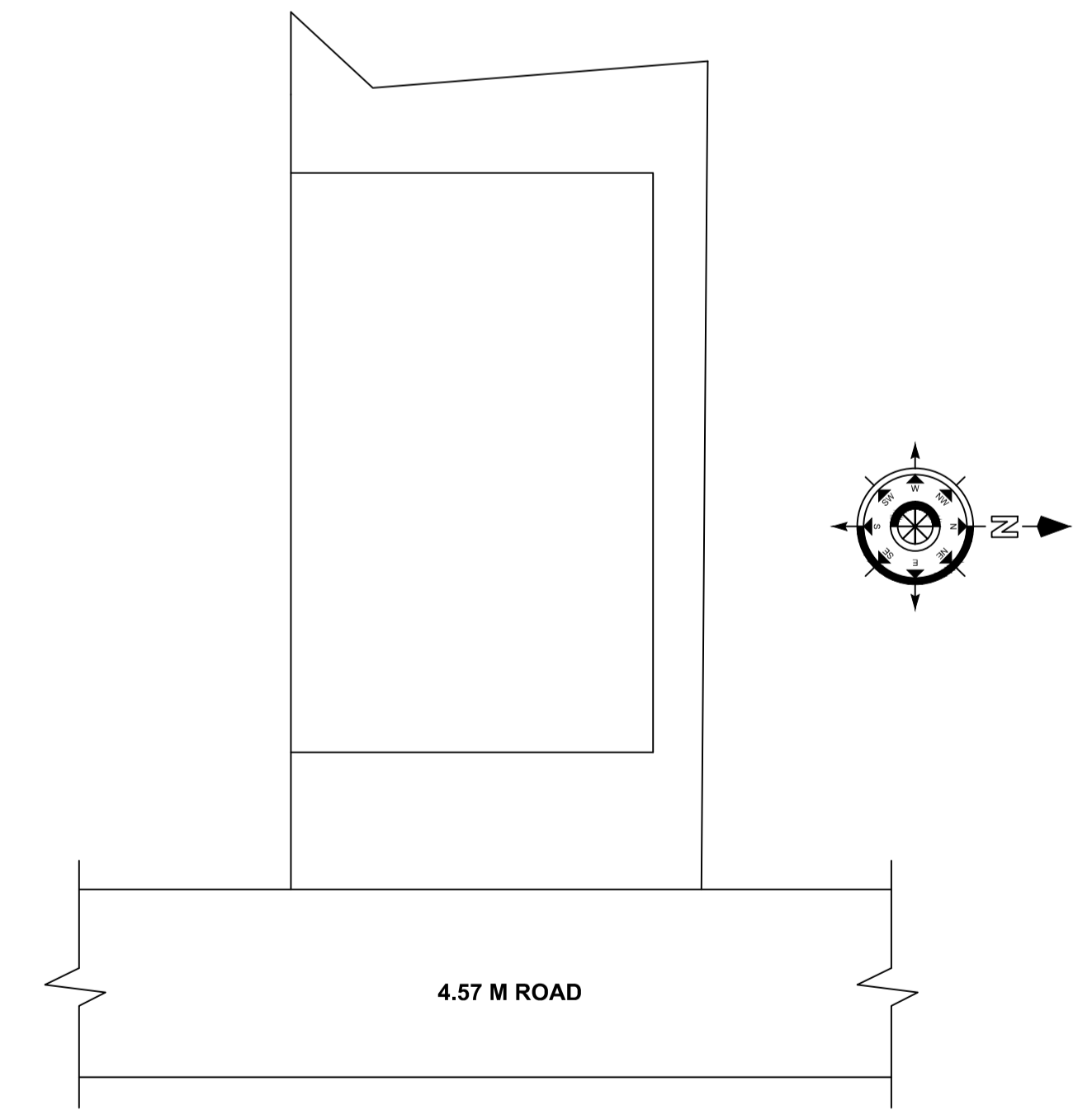


SECTION ON A-A'



PLAN

DETAILS OF SEPTIC TANK



SITE PLAN