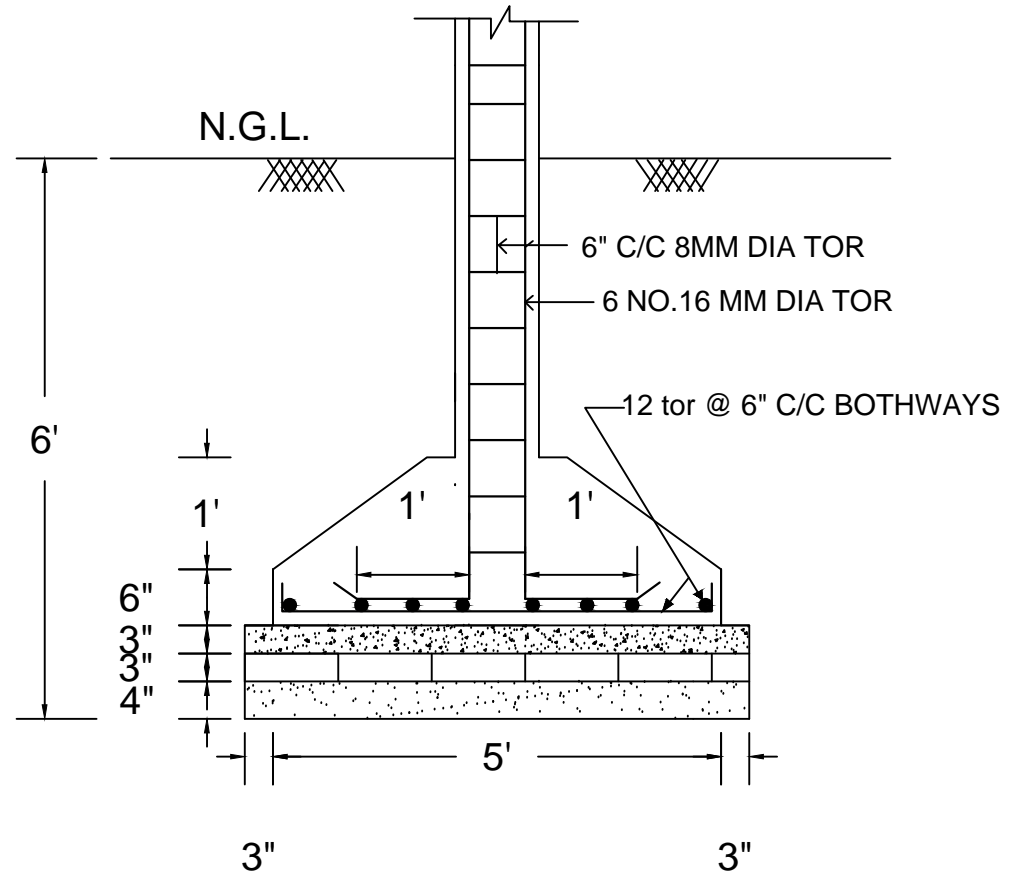


DET.OF FOUNDATION



SECTION AT X - X