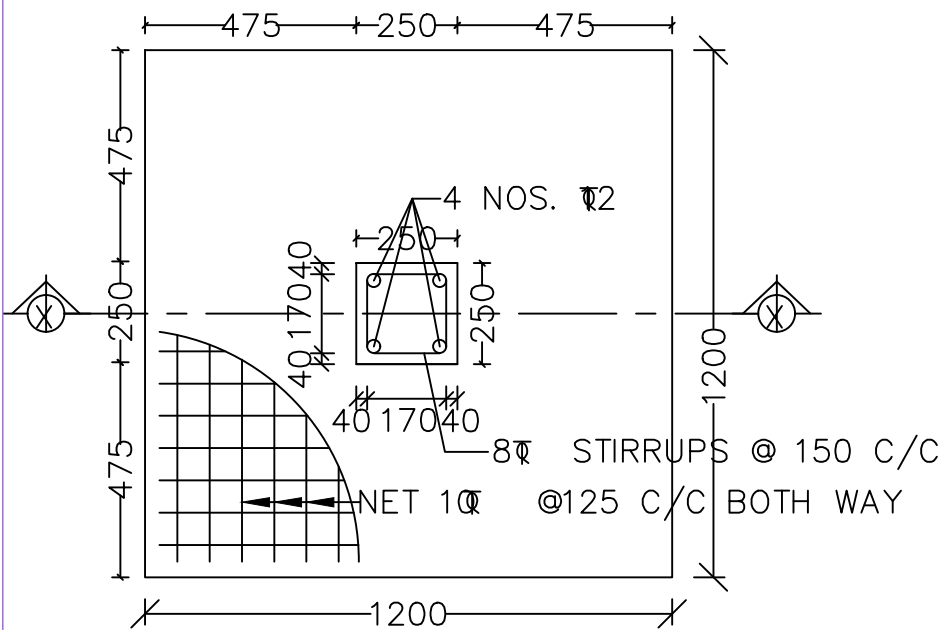


1/2 : 3)

SECTION X X

Scale - N.T.S.



DETAILS OF COLUMN FOUNDATION

Structure Detail

Scale - N.T.S.