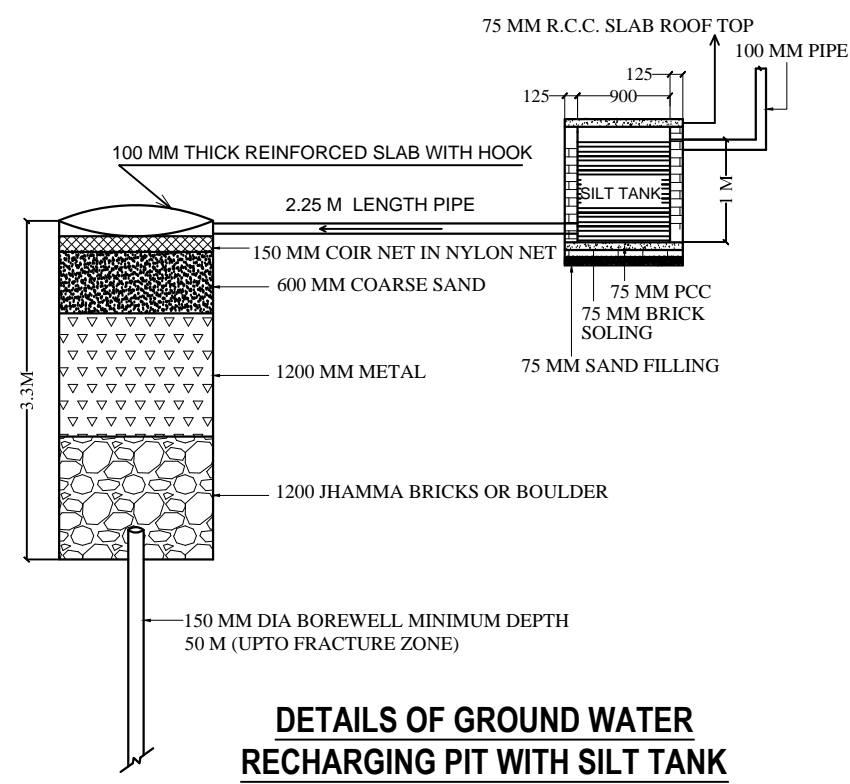
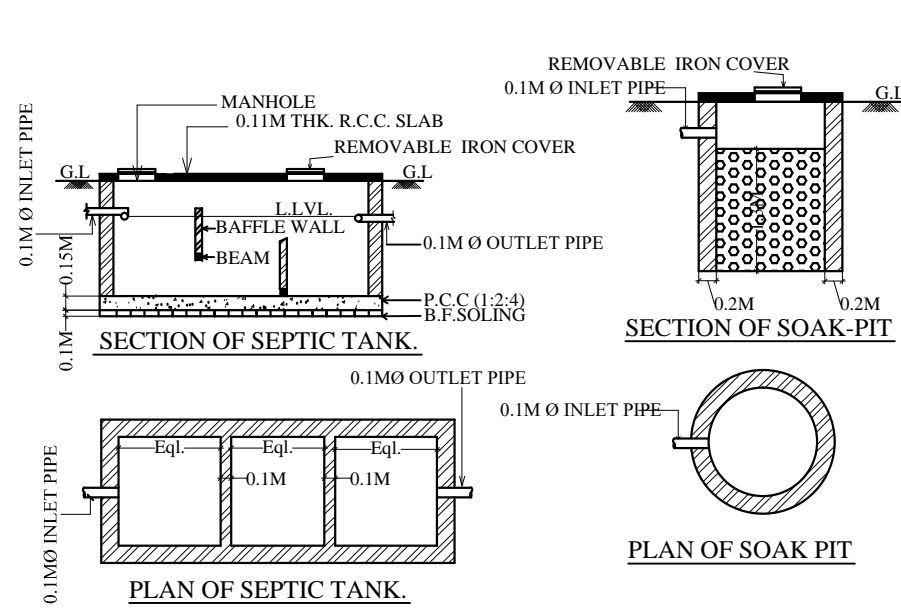


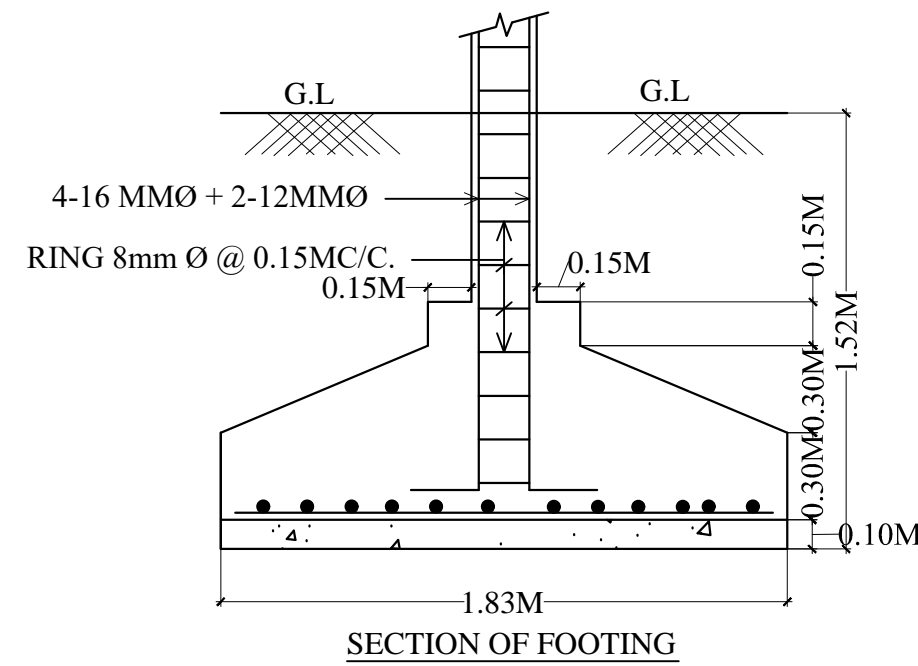
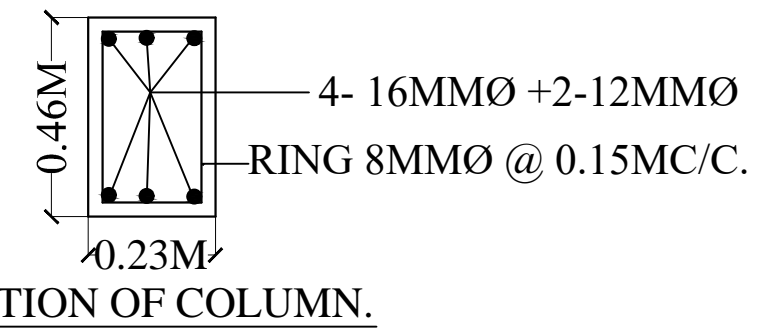
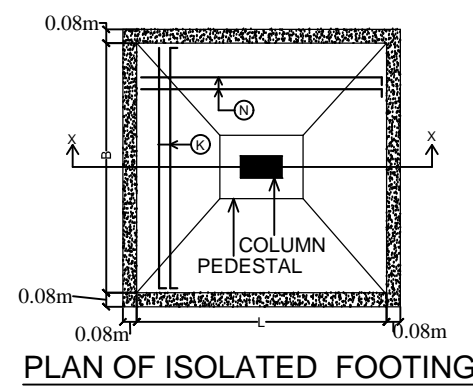
Project Title :SRI SUMIT MALIK



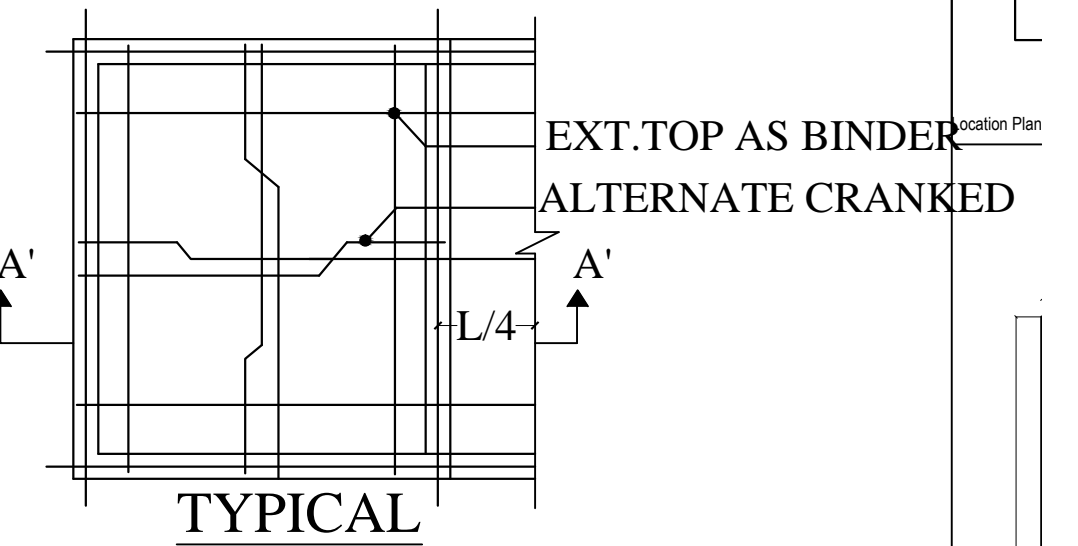
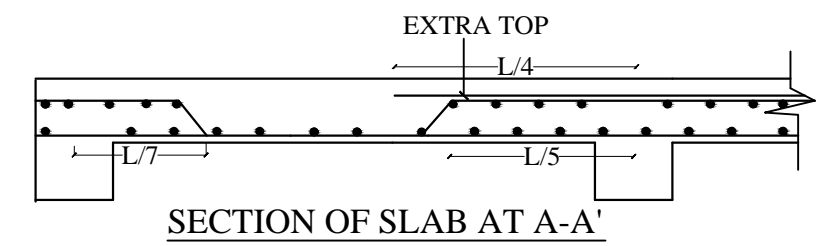
Rain Water Storage Tank Detail



Septic Tank Detail



Structure Detail



Location Plan