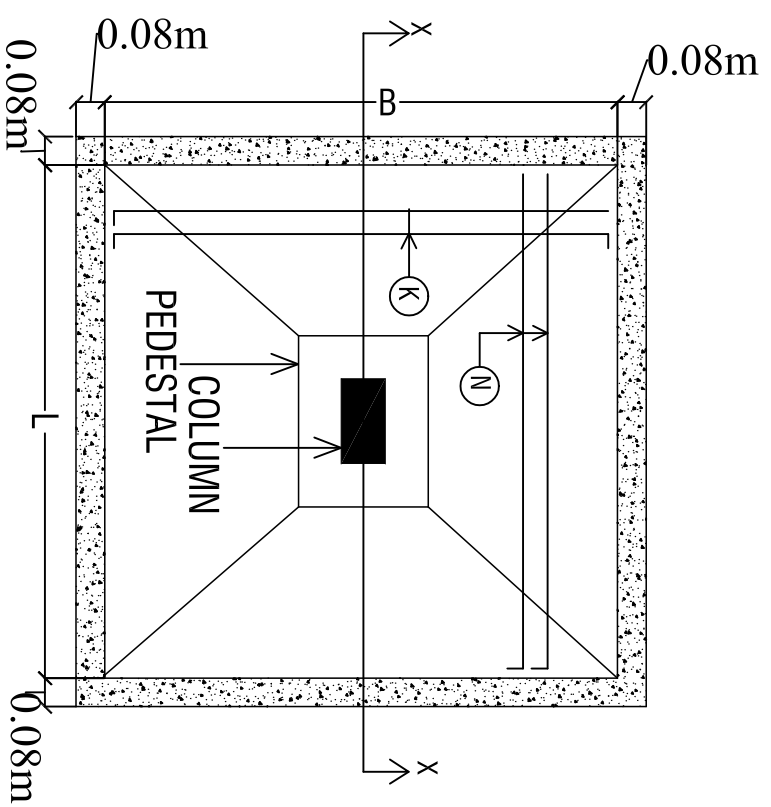
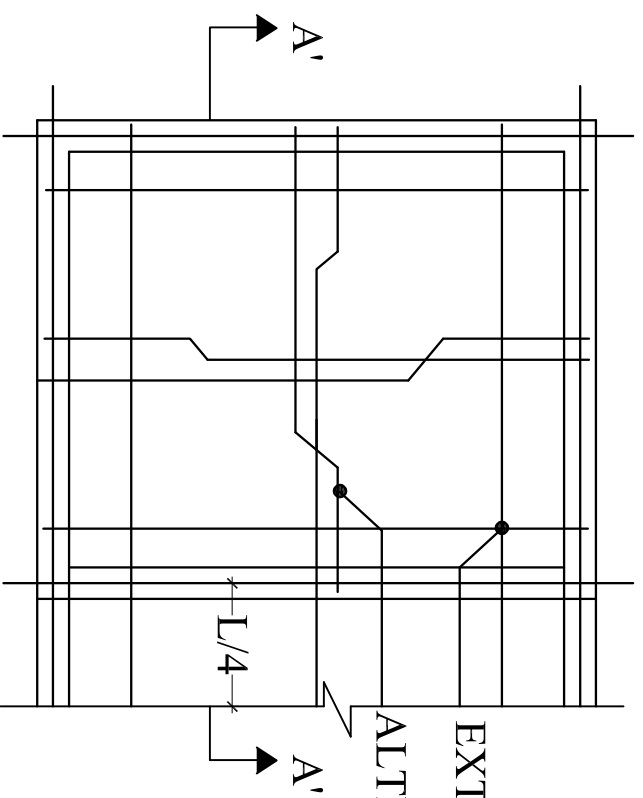
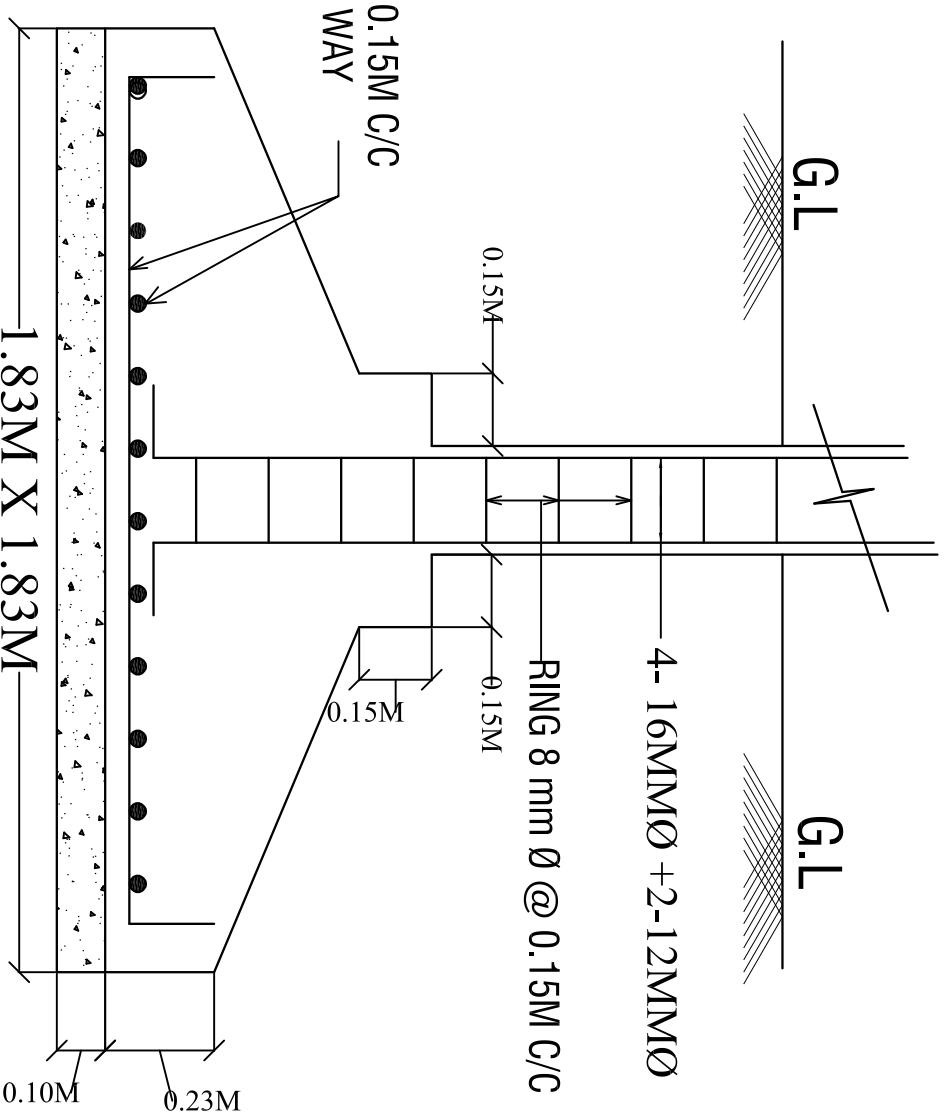


PLAN OF ISOLATED FOOTING



12 mm Ø @ 0.15M C/C
BOTH WAY

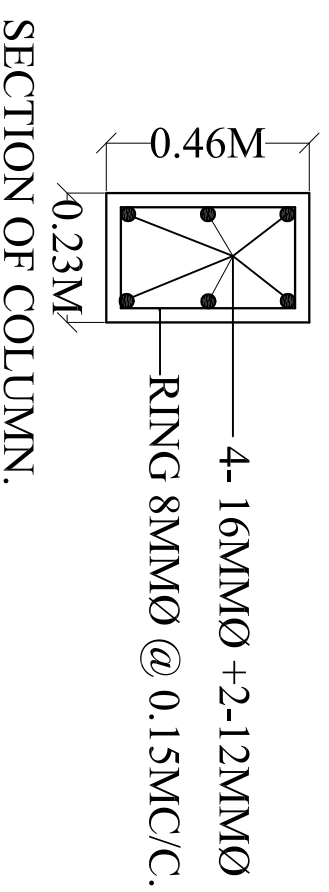
SECTION OF FOOTING .



TYPICAL REINFORCEMENT DETAIL

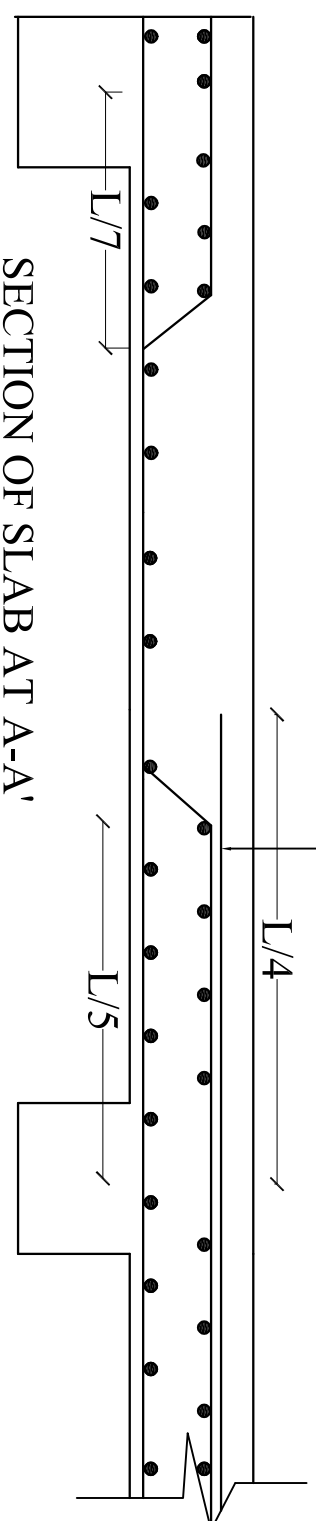
EXT. TOP AS BINDER

ALTERNATE CRANKED



SECTION OF COLUMN.

EXTRA TOP



SECTION OF SLAB AT A-A'