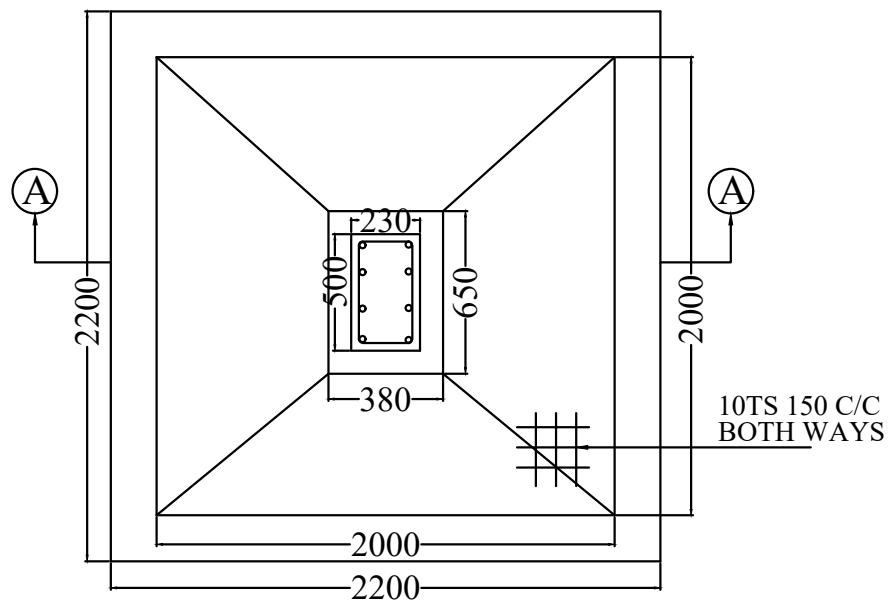
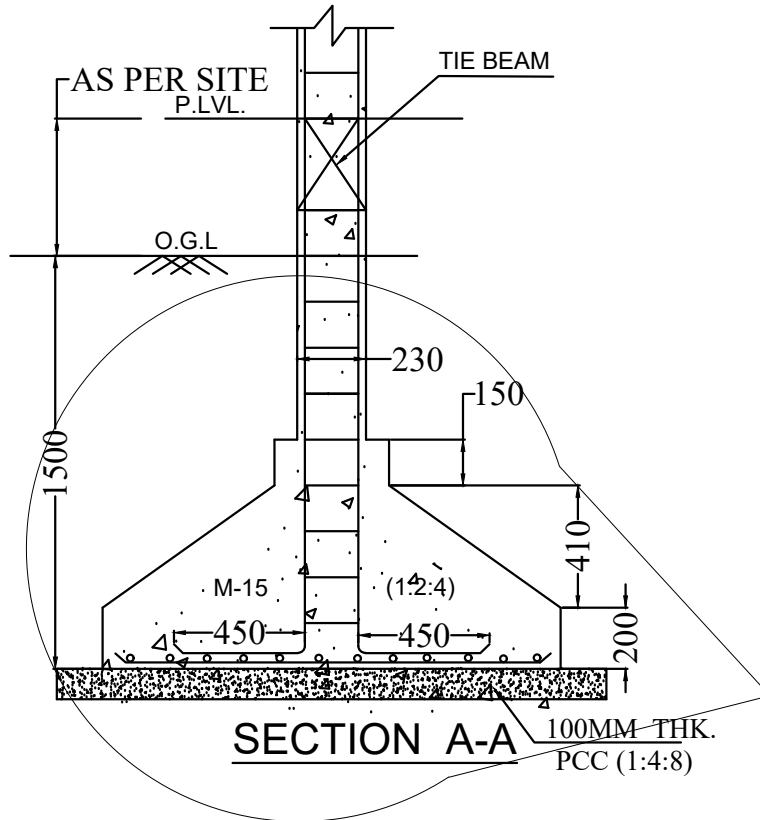


C/S OF COL.



PLAN

FOOTING PLAN (AS/STRL. DESIGN)

SCALE: N.T.S.

Structure Detail