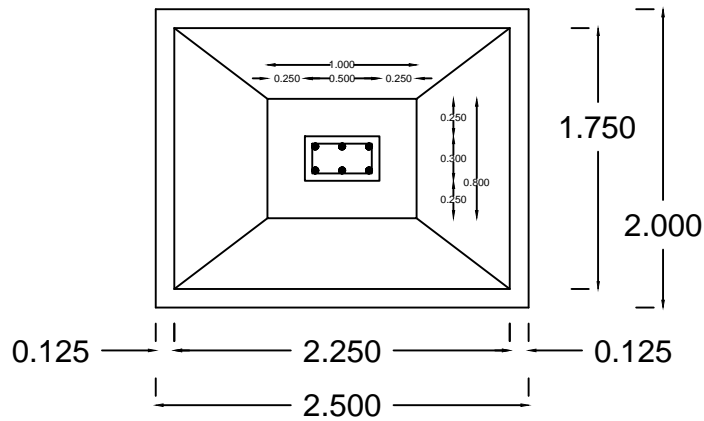


SECTION THROUGH
FOUNDATION



FOUNDATION DETAILS

FOUNDATION DETAILS