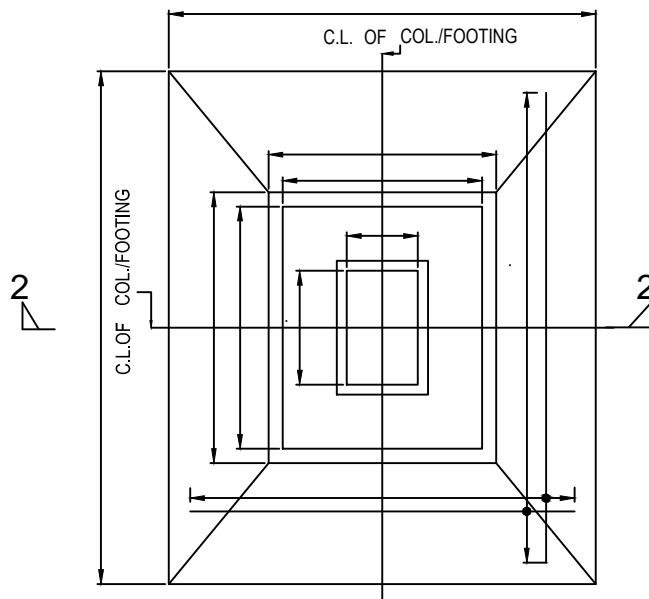


SECTION 2-2



PLAN

TYPICAL FOOTING DETAIL