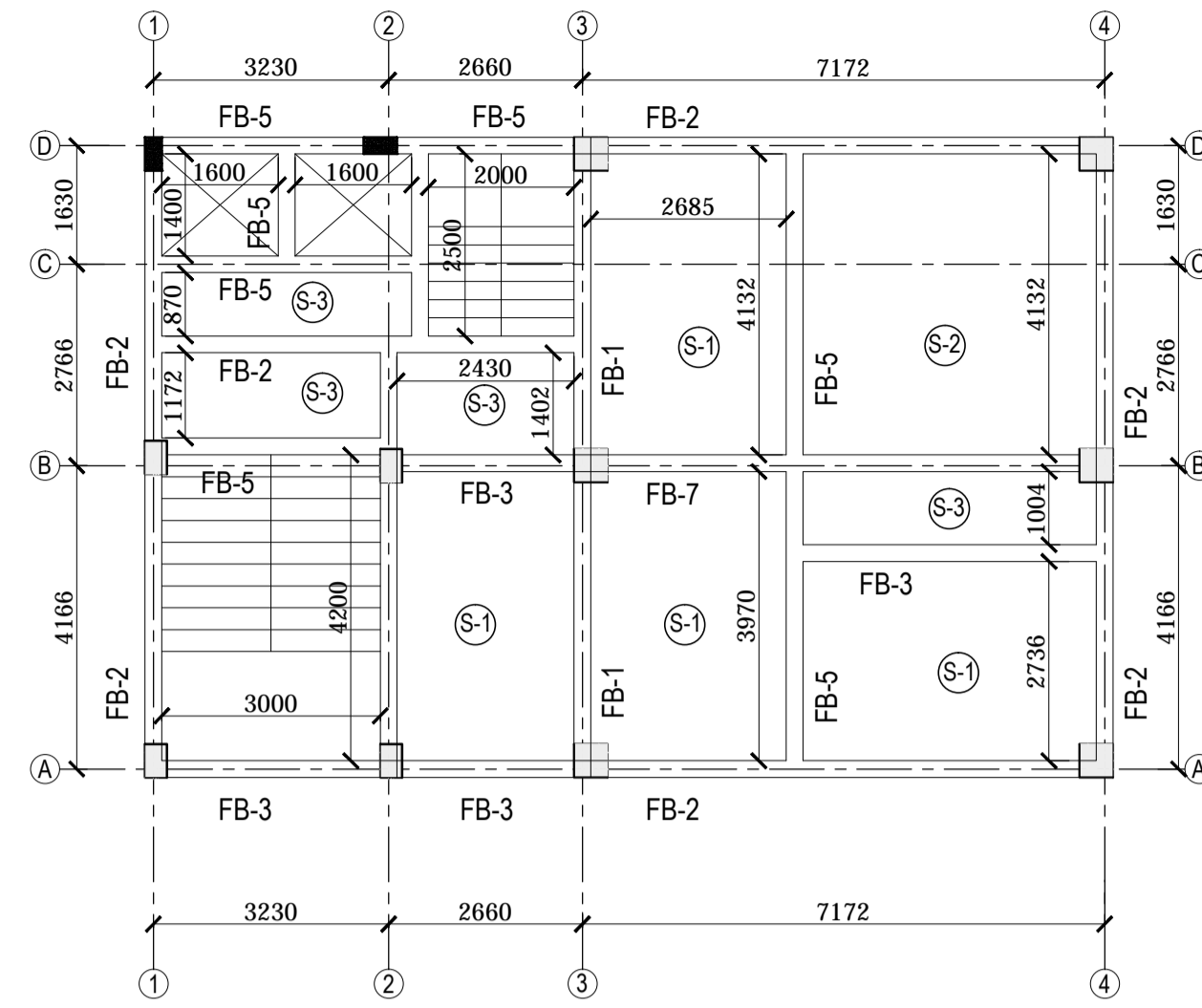


COLUMN AND FOUNDATION LAYOUT PLAN



FLOOR BEAM AND SLAB LAYOUT PLAN - TYPICAL FLOOR

SCHEDULE OF ISOLATED FOUNDATION (M-20 GRADE)

Fdn. MKD.	FOUNDATION SIZE (LxB)	REINFORCEMENT		DEPTH (a)	DEPTH (b)	PEDESTAL REINFORCEMENT	
		(X) SHORTER	(Y) LONGER			Vert. Bar(P)	Tie/Link(Q)
F1	3300 x 3900	12 # @ 125 c/c	12 # @ 100 c/c	250	1050	8-12 #	8 # @ 150 c/c
F2	3600 x 3600	12 # @ 125 c/c	12 # @ 125 c/c	250	1050	8-12 #	8 # @ 150 c/c
F3	2150 x 3200	12 # @ 150 c/c	12 # @ 150 c/c	200	800	8-12 #	8 # @ 150 c/c

SCHEDULE OF TIE BEAMS AT BASEMENT LEVELS

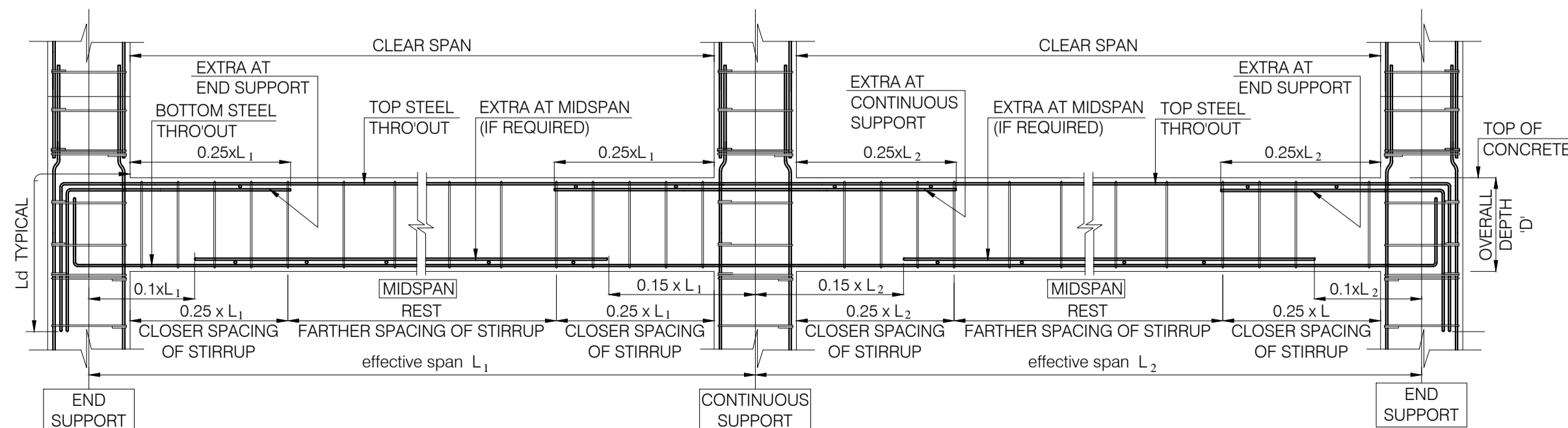
BEAM MKD.	SIZE (MM)	LONGITUDINAL REINFORCEMENT									
		INT. SUPP.		END SUPP.		MID SPAN		END SPAN		STIRRUPS	
		TOP	BOTT.	TOP	BOTT.	TOP	BOTT.	TOP	BOTT.	SUPP.	SPAN
TB-1	230 x 500	3-20 #	2-20 #	2-20 #	2-20 #	2-20 #	3-20 #	2-20 #	2-20 #	2L-8 # @ 100 c/c	2L-8 # @ 150 c/c
TB-2	230 x 400	3-20 #	2-20 #	2-20 #	2-20 #	2-20 #	3-20 #	2-20 #	2-20 #	2L-8 # @ 100 c/c	2L-8 # @ 150 c/c

SCHEDULE OF TYPICAL FLOOR BEAMS

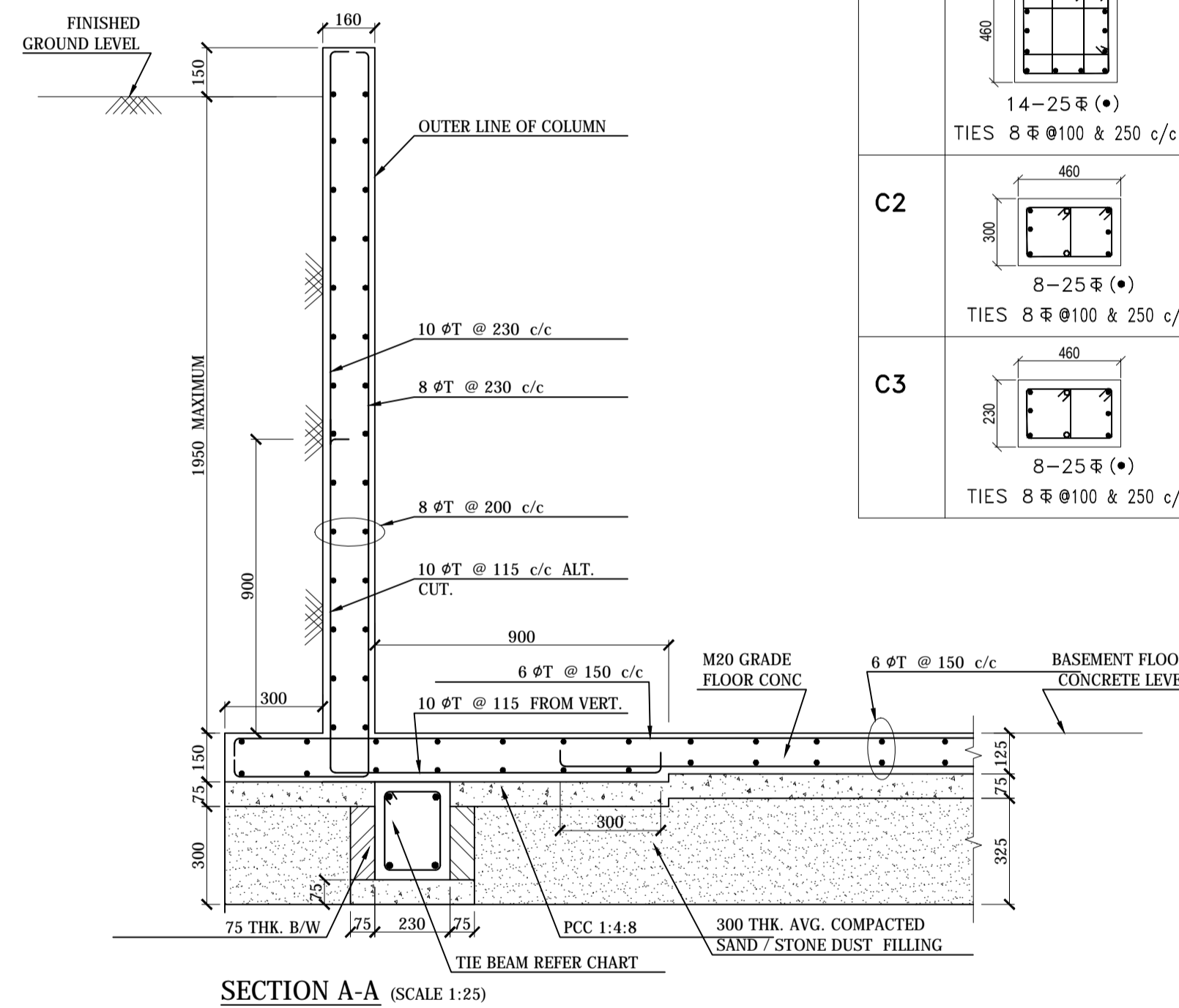
BEAM MKD.	SIZE (MM)	LONGITUDINAL REINFORCEMENT									
		INT. SUPP.		END SUPP.		MID SPAN		END SPAN		STIRRUPS	
		TOP	BOTT.	TOP	BOTT.	TOP	BOTT.	TOP	BOTT.	SUPP.	SPAN
FB-1	230 x 600	4-25 #	2-25 #	2-25 #	2-25 #	2-25 #	4-25 #	2-25 #	2-25 #	2L-10 # @ 100 c/c	2L-10 # @ 200 c/c
FB-2	230 x 600	4-25 #	2-25 #	2-25 #	2-25 #	3-25 #	5-25 #	2-25 #	3-25 #	2L-10 # @ 100 c/c	2L-10 # @ 150 c/c
FB-3,5	230 x 400	3-20 #	2-20 #	2-20 #	2-20 #	2-20 #	3-20 #	2-20 #	2-20 #	2L-8 # @ 100 c/c	2L-8 # @ 150 c/c
FB-6	230 x 600	4-20 #	3-20 #	2-20 #	3-20 #	2-20 #	5-20 #	2-20 #	3-20 #	2L-10 # @ 100 c/c	2L-10 # @ 200 c/c
FB-7	230 x 600	4-25 #	3-25 #	2-25 #	3-25 #	3-25 #	6-25 #	2-25 #	3-25 #	2L-10 # @ 100 c/c	2L-10 # @ 150 c/c

SCHEDULE OF TYPICAL FLOOR SLABS

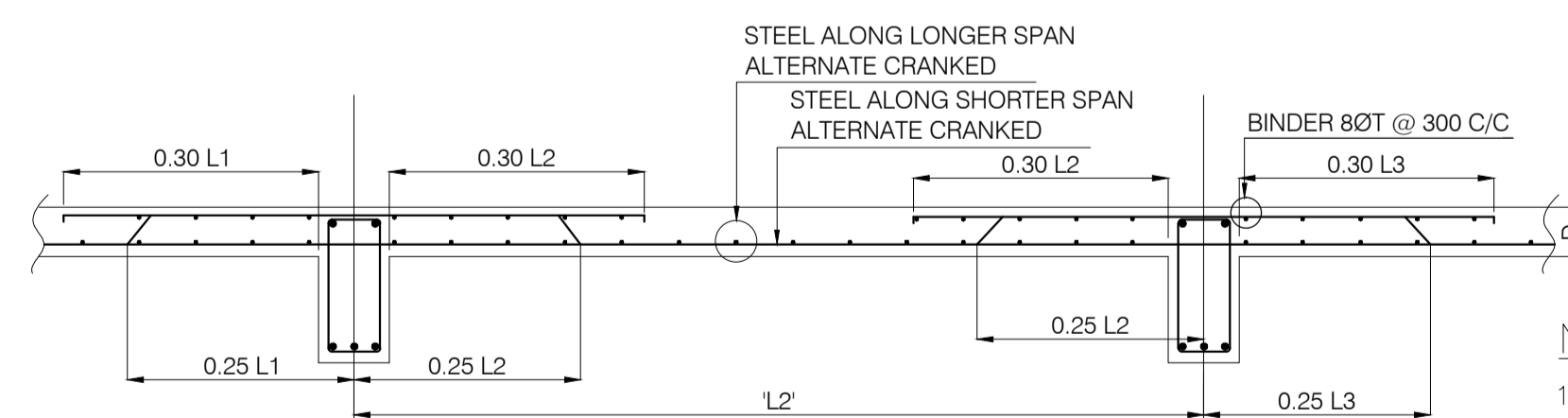
SLAB MKD.	SLAB THK.	REINFORCEMENT					
		ALONG SHORTER DIRECTION			ALONG LONGER DIRECTION		
		DISCON. SUP. (TOP)	SPAN (BOTT.)	CONT. SUP. (TOP)	DISCON. SUP. (TOP)	SPAN (BOTT.)	CONT. SUP. (TOP)
S1	130	10 # @ 150 C/C	10 # @ 150 C/C	10 # @ 150 C/C	10 # @ 150 C/C	10 # @ 150 C/C	10 # @ 150 C/C
S2	150	12 # @ 100 C/C	12 # @ 100 C/C	12 # @ 100 C/C	12 # @ 100 C/C	12 # @ 100 C/C	12 # @ 100 C/C
S3	110	8 # @ 200 C/C	8 # @ 200 C/C	8 # @ 200 C/C	8 # @ 200 C/C	8 # @ 200 C/C	8 # @ 200 C/C



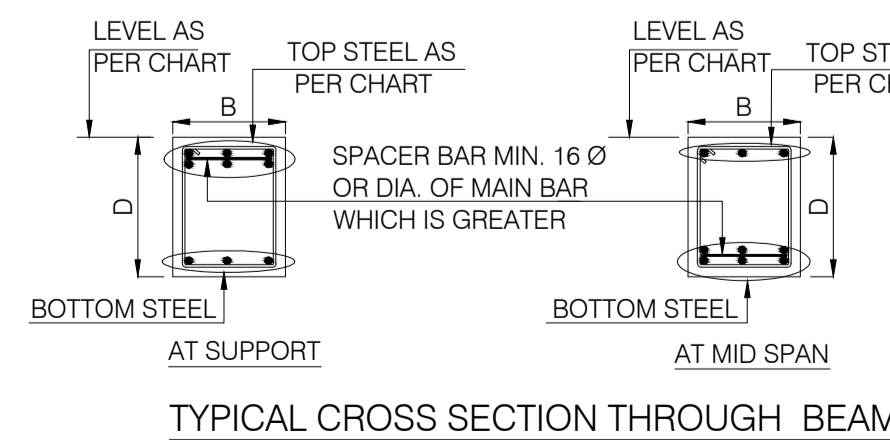
TYPICAL LONG SECTION THROUGH BEAM



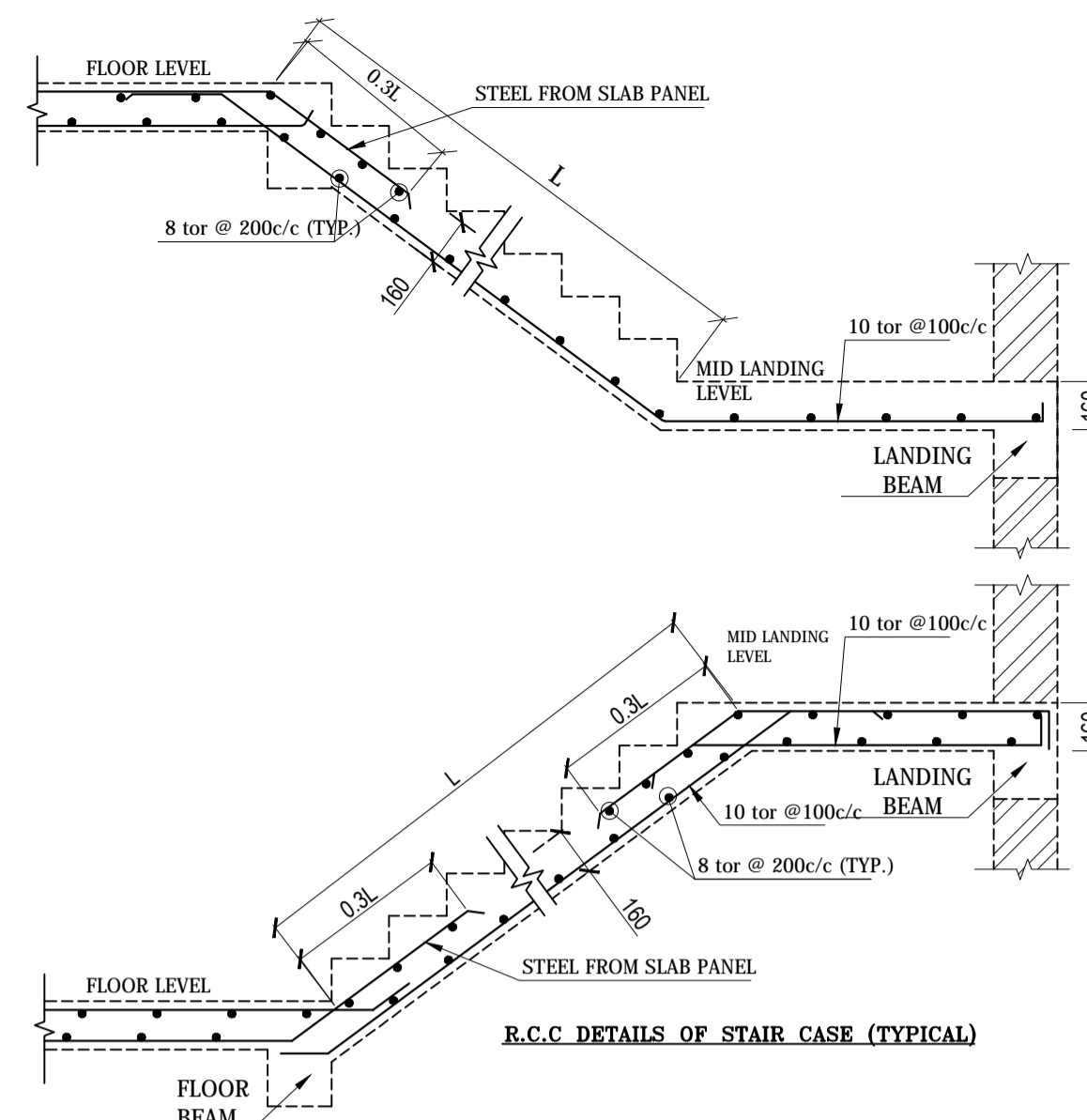
SECTION A-A (SCALE 1:25)



TYPICAL CROSS SECTION OF SLAB



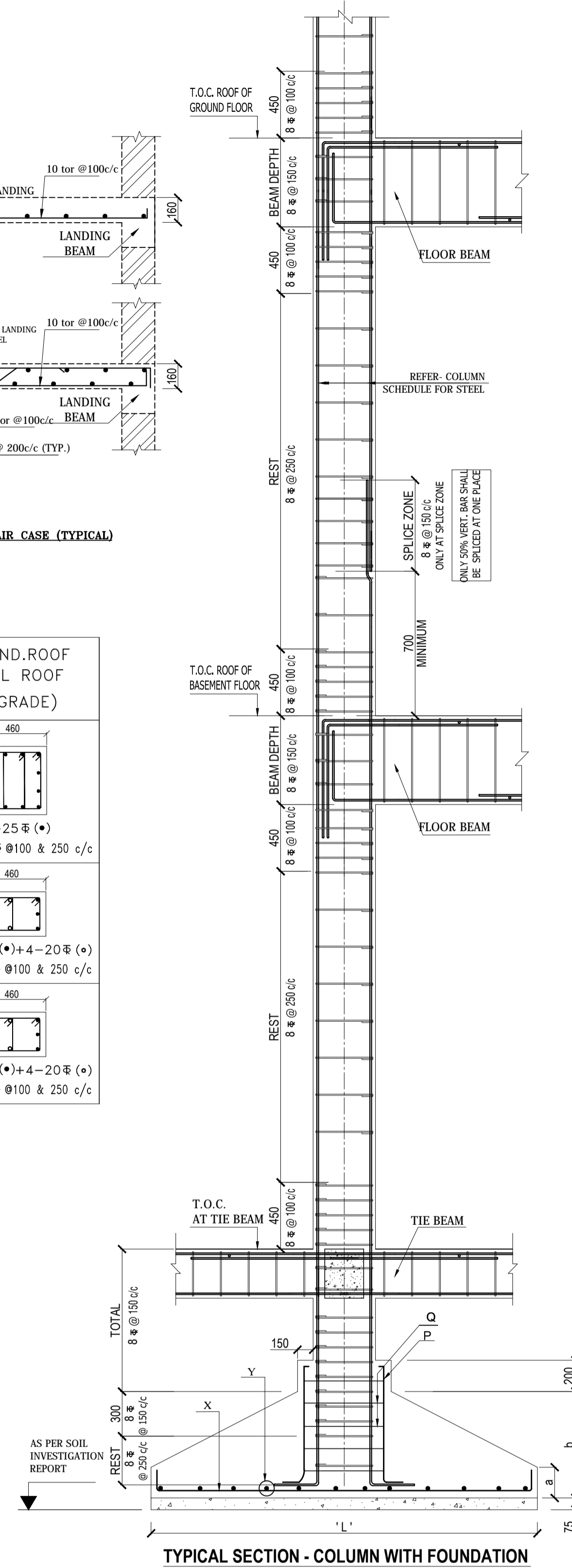
TYPICAL CROSS SECTION THROUGH BEAM



R.C.C. DETAILS OF STAIR CASE (TYPICAL)

COLUMN SCHEDULE:-

COL. MKD.	FROM FOUNDATION TO 2ND. ROOF (M25 GRADE)	FROM 2ND. ROOF TO FINAL ROOF (M25 GRADE)
C1	460 x 460 14-25 # (*) TIES 8 # @ 100 & 250 c/c	460 x 460 12-25 # (*) TIES 8 # @ 100 & 250 c/c
C2	460 x 300 8-25 # (*) TIES 8 # @ 100 & 250 c/c	460 x 300 4-25 # (*) + 4-20 # (*) TIES 8 # @ 100 & 250 c/c
C3	460 x 230 8-25 # (*) TIES 8 # @ 100 & 250 c/c	460 x 230 4-25 # (*) + 4-20 # (*) TIES 8 # @ 100 & 250 c/c



TYPICAL SECTION - COLUMN WITH FOUNDATION

NOTES.

- THIS DWG. SHALL BE READ IN CONJUNCTION WITH ARCHITECTURAL DRAWING
- ALL DIMENSIONS ARE IN MM. UNLESS NOTED OTHERWISE.
- '#' DENOTES HIGH YIELD STRENGTH COLD TWISTED DEFORMED BARS CONFORMING TO IS:1786. Fe 500 SHALL BE USED.
- CEMENT CONC. WORK SHALL CONFORM TO LATEST REV. OF IS:456.
- CONCRETE USED FOR FLOOR SLAB, BEAM AND STAIR SHALL BE GRADE M-20 AND COLUMNS AND FOUNDATION SHALL BE GRADE M-25 UNLESS NOTED OTHERWISE.
- UNLESS SPECIFIED OTHERWISE, BENDING OF BARS SHALL CONFORM TO THE LATEST REV. OF IS:2502 & IS:456.
- UNLESS OTHERWISE SPECIFIED THE MINIMUM CLEAR CONCRETE COVER TO REINFORCEMENT SHALL BE AS FOLLOWS:

ITEMS	TOP	BOTTOM	SIDE
BEAM	25	25	25
SLAB	15	15	20
COLUMN	-	-	40
TIE BEAM	50	50	40
FOUNDATION	50	50	60
- FOR THE LOCATION OF THE BUILDING REFER TO THE ARCH. DRG.
- FOR LAYOUT OF THE BUILDING REFER RELEVANT ARCH. DRG.
- NET S.B.C FOR SOIL CONSIDERED 15 tonne/sq. m

FOR OFFICE USE

PROPOSED MULTISTORIED COMMERCIAL CUM RESIDENTIAL BUILDING OF Mr. TAPAN KUMAR SARKAR & Mr. PRADYUT NANDI AT HOLDING NO. - 140, S.N.P. AREA SAKCHI, JAMSHEDPUR. - 01

CONSULTANT

1. Mr. TAPAN KUMAR SARKAR
2. Mr. PRADYUT NANDI
SIGNATURE OF OWNER

SHEET NO. -- ST_01

SCALE - 1:25, 50, 100, 300, NTS