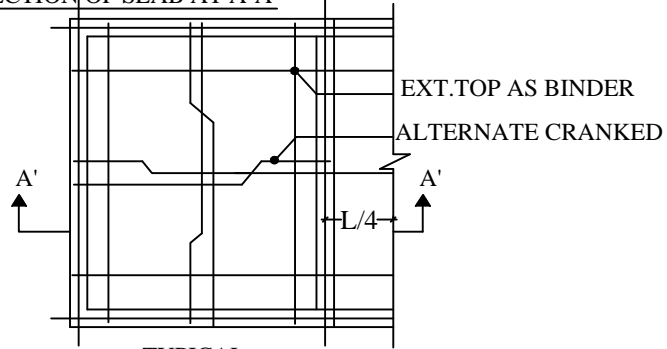
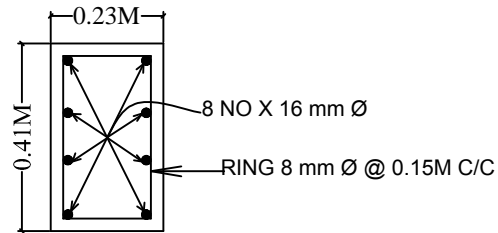




SECTION OF SLAB AT A-A'

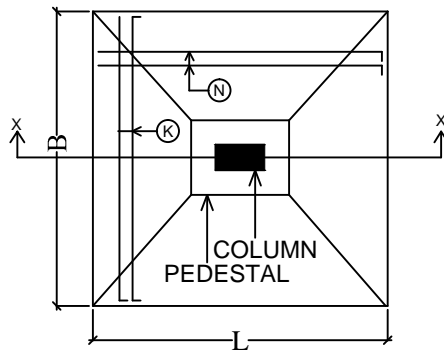


TYPICAL

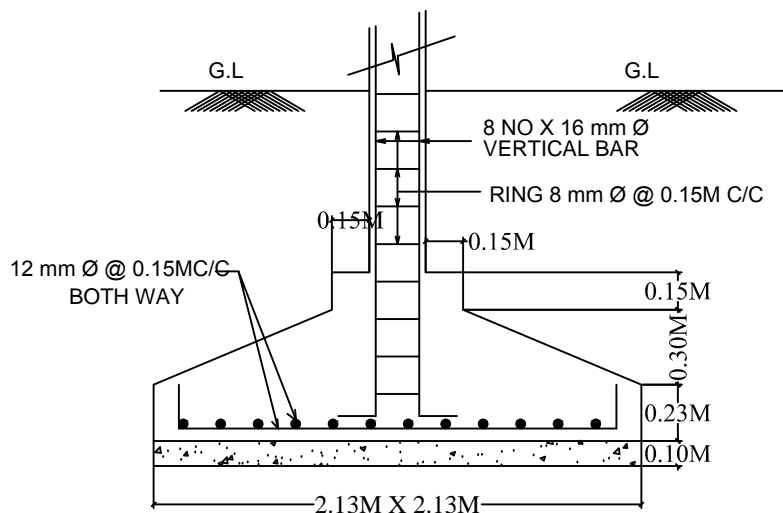


C.S. OF COLUMN .

SIZE - 0.23M X 0.53M



PLAN OF ISOLATED FOOTING



SECTION OF FOOTING .

SIZE - 2.13M X 2.13M